

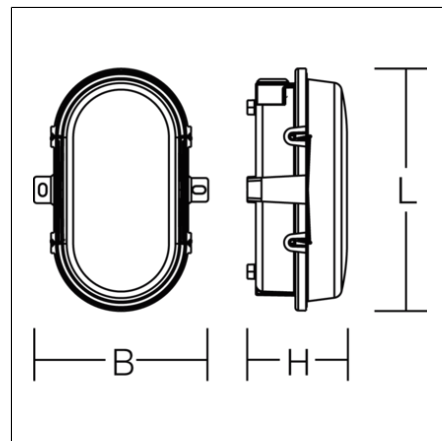
STANDARD

501048.009.1 | Oval bulkhead luminaires



Oval bulkhead luminaires, plastic
4051859988502
L 171, B 123, H 70

Ceiling mounting, Wall (surface)
grey



Robust plastic LED oval luminaire in a flat design. Housing: plastic. Diffuser made of textured toughened crystal glass, opal. Diffuser attached with lateral spring clips. Full-surface homogeneous illumination. MultiLumen: 2 steps adjustable luminous flux. Factory setting is the highest luminous flux. Suitable for Ceiling mounting, Wall (surface). Speedy installation thanks to external fastening clips. Replaceable LED unit. Three cable inlets.

Product specifications

Length L	171 mm
Width B	123 mm
Height H	70 mm
Weight	422 g
Light source	LED
Colour temperature	3000 K
Rated luminous flux	720 lm 910 lm
System power	6.5 W 8 W
System efficiency	111 lm/W 114 lm/W
Glare evaluation UGR (4H 8H)	24,8 25,7
Beam angle	down 120°/115° up 180°/180°
Rated life	35000 h (L70/B50)
Colour rendering index (CRI)	80
Colour tolerance	6
Photobiological safety according to EN 62471	Risk group 0
Driver	Converter
Control	on/off
Voltage	220 - 240 V / 50 Hz, 60 Hz
Inrush current / Inrush current duration	/ 100 µs
CIE Flux Code / CEN Flux Code	41 70 89 90 100
Type of protection	IP 65
Protection class	I
Filament test	750 °C
Impact resistance	IK04
Ambient temperature	-20 °C ... + 35 °C
Conformity mark	CE, EAC