

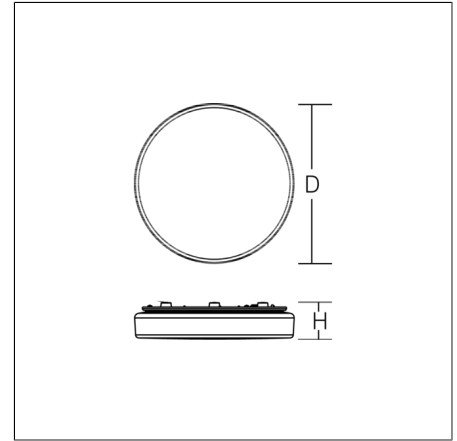
FLAT POLYMERO KREIS SLIM

312085.002.2.19 | Ceiling and wall luminaires



Ceiling and wall luminaires
4051859182337
D 360, H 65

Ceiling mounting, Wall (surface)
white



Flat decorative round LED surface-mounted luminaire. Base: metal, powder-coated. Diffuser made of plastic (polycarbonate), opal, shock-proof. Diffuser fastening: patented push system. Suitable for Ceiling mounting, Wall (surface). With integrated HF movement sensor. Functional parameters of a master luminaire (ceiling height of approx. 2.8 m): HF detector 24 GHz with integrated corridor function. Coverage: approx. 130° radial. Easy adjustment of functions via 3 associated push button switches. Sensitivity/Range: 0.5-5 m radial, adjustable from 10-100%. Time control 1 second to 15 minutes in 8 different levels. Daylight detection with 5 brightness levels and learning mode. Up to 9 slave luminaires can be operated with one master luminaire (max. up to 150 W / 230 W). Suitable for outdoor use to a limited extent only, as it is sensitive to all movements.

Product specifications

Diameter D	360 mm
Height H	65 mm
Weight	1.45 kg
Light source	LED
Colour temperature	3000 K
Rated luminous flux	2000 lm
System power	20 W
System efficiency	100 lm/W
Glare evaluation UGR (4H 8H)	20,9
Beam angle	down 120° up 180°
Rated life	50000 h (L80/B10)
Colour rendering index (CRI)	80
Colour tolerance	3
Photobiological safety according to EN 62471	Risk group 1
Driver	Not necessary
Control	on/off
Voltage	220 - 240 V / 50 - 60 Hz
Luminaires on B10A fuse	82
Luminaires on B16A fuse	132
Luminaires on C10A fuse	82
Luminaires on C16A fuse	132
Inrush current / Inrush current duration	0.1 A / 10000 µs
CIE Flux Code / CEN Flux Code	43 74 93 89 100
Type of protection	IP 40
Protection class	I
Filament test	850°C - 30 seconds
Impact resistance	IK10
Ambient temperature	-20 °C ... + 35 °C
Conformity mark	CE

FLAT POLYMERO KREIS SLIM

312085.002.2.19 | Ceiling and wall luminaires



Spareparts



08-312085.022
Replacement diffuser