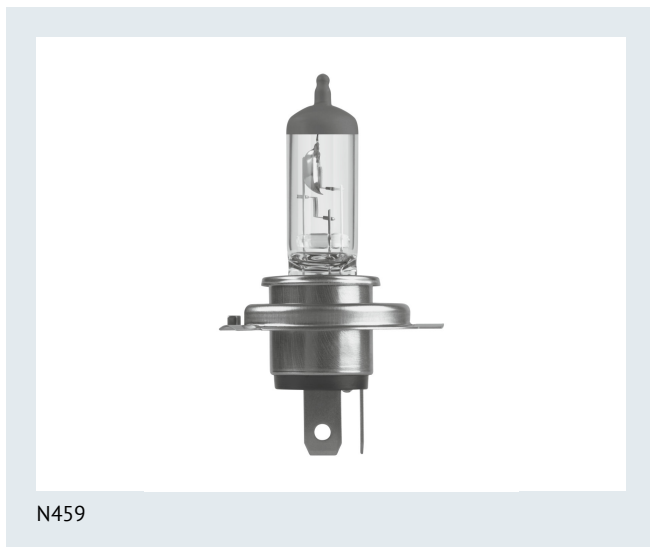




**NEOLUX®**  
GERMAN TECHNOLOGY

## Standard 35/35 W 12 V PX43t



N459

### Product family benefits

- Reliable manufacturer
- Reliable products
- Good illumination of the road
- Suitable for the most common motorcycle headlights
- Affordable

### Product family features

- Designed specifically for motorcycles
- Vibration-resistant
- ECE certified lamps
- Broad product range
- Good quality thanks to German technology

### Areas of application

- Headlight



N459-01B



N459

**Product information**

Application (Category and Product specific)	Halogen headlight lamp
---	------------------------

**Electrical data**

Power input	36.8 W
Test voltage	13.2 V
Nominal wattage	35/35 W
Nominal voltage	12.0 V

**Photometrical data**

Color temperature	3200 K
Luminous flux	820/520 lm
Luminous flux tolerance	±15 %

**Dimensions & weight**

Product weight	23.00 g
Length	82.0 mm
Diameter	17.0 mm

**Lifespan**

Lifespan Tc	150 h
Lifespan B3	75 h

**Additional product data**

Base (standard designation)	PX43t
-----------------------------	-------

**Capabilities**

Technology	Halogen lamp
------------	--------------

**Certificates & standards**

ECE category	HS1
--------------	-----

**Logistical data**

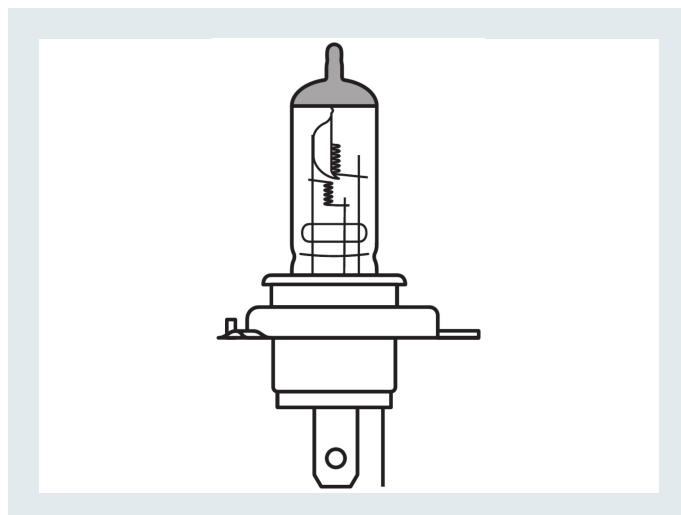
Order reference	N459
-----------------	------

**Environmental information**

Date of Declaration	19-01-2022
Primary Article Identifier	4052899270657   4052899485433   4062172053235   4055462245595
Candidate List Substance 1	No declarable substances contained
Declaration No. in SCIP database	In work

**Packaging Information**

Packaging description	EAN	Packaging type	Amount of article
N459-01B	4052899270657	Blister	1
N459	4052899485433	Folding box	1



**NEOLUX**<sup>®</sup>  
GERMAN TECHNOLOGY

NEOLUX Automotive Lighting  
OSRAM GmbH

Marcel-Breuer-Str 6  
80807 Munich, Germany

Phone +49 89 6213-0  
Fax +49 89 6213-2020

[www.neolux-lighting.com](http://www.neolux-lighting.com)