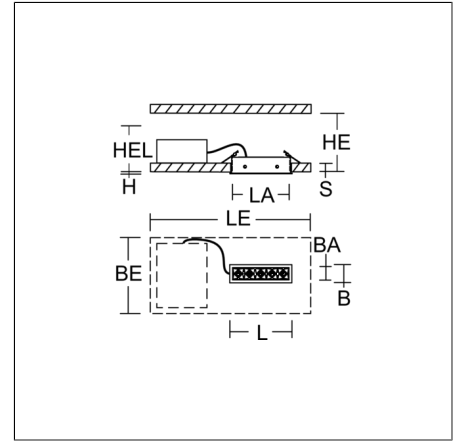




Recessed ceiling luminaires
4051859516897
L 295, B 45, H 2

Recessed ceiling mounting
silver



Minimalistic recessed ceiling luminaire for aesthetically sophisticated lighting. Housing: metal, powder-coated. Perfect heat management with an aluminium heat sink. LED light unit with MRS technology: Mini-Reflector-System made of metallised thermoplastic with prismatic black glare-suppressing frame for pleasant glare-free light (UGR < 10). Medium beam light distribution.. Ceiling installation with spring system. Including separate LED converter with connecting cable 450 mm.

Product specifications

Length L	295 mm
Width B	45 mm
Height H	2 mm
Cut-out length LA	290 mm
Cut-out width BA	40 mm
Luminaire: recess height HEL	60 mm
Ceiling thickness S	1-50 mm
Installation space length LE	550 mm
Installation space width BE	350 mm
Installation space height HE	110 mm
Weight	0.8 kg
Light source	LED
Colour temperature	3000 K
Rated luminous flux	2050 lm
System power	25 W
System efficiency	82 lm/W
Glare evaluation UGR (4H 8H)	5,4
Beam angle	28°
Rated life	50000 h (L80/B10)
Colour rendering index (CRI)	90
Colour tolerance	3
Photobiological safety according to EN 62471	Risk group 1
Driver	Converter, dimmable
Control	DALI
Voltage	220 - 240 V / 50 Hz, 60 Hz
Luminaires on B10A fuse	21
Luminaires on B16A fuse	34
Luminaires on C10A fuse	35
Luminaires on C16A fuse	57
Inrush current / Inrush current duration	18 A / 250 µs
CIE Flux Code / CEN Flux Code	100 100 100 100 100
Type of protection	IP 20
Protection class	II
Filament test	650 °C
Impact resistance	IK03
Ambient temperature	-20 °C ... + 35 °C
Safety marks	Do not cover the recessed luminaire!
Conformity mark	CE, EAC