



MASTER LEDspot LV

MAS LEDspotLV D 7.5-50W 930 MR16 24D

Delivering intense accent beam, MASTER LEDspot LV is an ideal retrofit solution for spot lighting. MASTER LEDspot LV is designed to replace halogen or incandescent spots. It realizes natural colors, enables cozy and comfortable ambience for residential, hospitality and emphasizes the beauty of merchandise in retail. New smaller housing provides perfect fitting with majority of luminaires in a market with a MR16 GU 5.3 holder. It not only employs Philips' patented solution to guarantee the broadest possible compatibility with standard 12V halogen electronic transformers, it also delivers high beam intensity which is equivalent to halogen MR16 spots. The dimming function enables to create the desired atmosphere and it works with broad selection of dimmers. Its high SDCM ensure stricter color consistency, that is maintained over product life. MASTER LEDspot LV delivers huge energy savings and minimizes maintenance cost without any compromise on light quality and lifetime, enabling residential and business owners to achieve a return on their investment within short period time.

Product data

General Information		Operating and Electrical	
Cap-Base	GU5.3 [GU5.3]	Correlated Color Temperature (Nom)	3000 K
Nominal lifetime	40,000 hour(s)	Luminous Efficacy (rated) (Nom)	82.00 lm/W
Switching Cycle	50,000	Color Consistency	<4
Lighting Technology	LED	Color rendering index (CRI)	90
Flux measurement reference	Narrow Cone	LLMF At End Of Nominal Lifetime (Nom)	70 %
		Luminous Flux in 90° Cone (Rated)	621 lumen
Light Technical			
Color Code	930 [CCT of 3000K]	Line Frequency	- Hz
Beam Angle (Nom)	24 degree(s)	Input Frequency	- Hz
Luminous Flux	621 lumen	Power Consumption	7.5 W
Luminous Intensity (Nom)	4,000 cd	Lamp Current (Nom)	720 mA
Color Designation	White (WH)	Wattage Equivalent	50 W

MASTER LEDspot LV

Starting Time (Nom)	0.5 s
Warm-up time to 60% light	0.5 s
Power Factor (Fraction)	0.7
Voltage (Nom)	ac electronic 12 V

Temperature

T-Case Maximum (Nom)	90 °C
----------------------	-------

Controls and Dimming

Dimmable	Only with specific dimmers
----------	----------------------------

Mechanical and Housing

Bulb Shape	MR16 [2inch/50mm]
------------	-------------------

Approval and Application

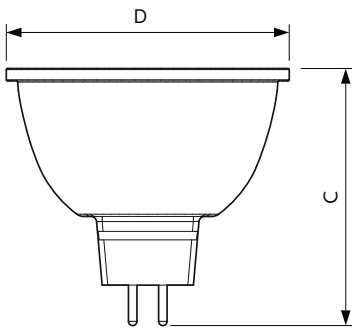
Suitable For Accent Lighting	Yes
------------------------------	-----

Energy Consumption kWh/1000 h	8 kWh
EPREL Registration Number	465,190
CE mark	Yes
EU RoHS compliant	Yes

Product Data

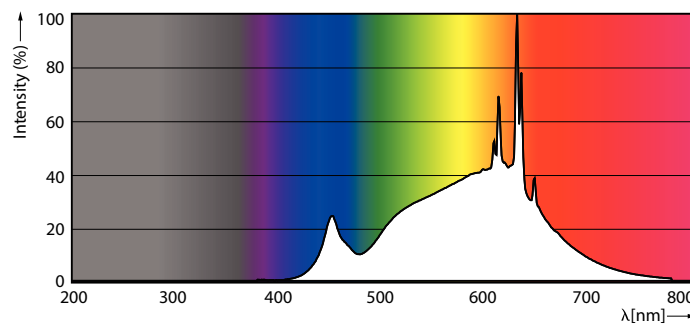
Full product code	871951430748300
Order product name	MAS LEDspotLV D 7.5-50W 930 MR16 24D
Order code	929002492002
Numerator - Quantity Per Pack	1
Numerator - Packs per outer box	10
Material number (12NC)	929002492002
Full product name	MAS LEDspotLV D 7.5-50W 930 MR16 24D
EAN/UPC - Case	8719514307490

Dimensional drawing

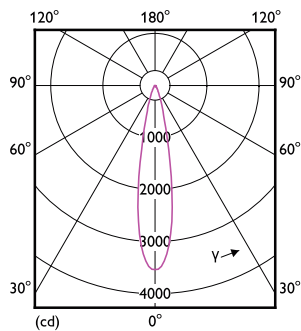


Product	D	C
MAS LEDspotLV D 7.5-50W 930 MR16 24D	50 mm	45.5 mm

Photometric data



Spectral Power Distribution Colour - MAS LEDspotLV D 7.5-50W 930 MR16 24D



Light Distribution Diagram - MAS LEDspotLV D 7.5-50W 930 MR16 24D

