

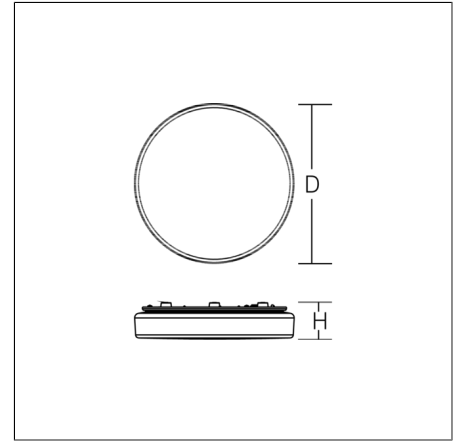
FLAT POLYMERO KREIS SLIM

312240.002.1.76 | Ceiling and wall luminaires



Ceiling and wall luminaires
4051859368991
D 460, H 70

Ceiling mounting, Wall (surface)
white



Flat decorative round LED surface-mounted luminaire. Base: metal, powder-coated. Diffuser made of non-yellowing plastic (PMMA), opal. Diffuser fastening: patented push system. Suitable for Ceiling mounting, Wall (surface).

Product specifications

| | |
|--|----------------------|
| Diameter D | 460 mm |
| Height H | 70 mm |
| Weight | 2.42 kg |
| Light source | LED |
| Colour temperature | 3000 K |
| Rated luminous flux | 3050 lm |
| System power | 32 W |
| System efficiency | 95 lm/W |
| Glare evaluation UGR (4H 8H) | 20,9 |
| Beam angle | down 124° up 180° |
| Rated life | 50000 h (L80/B10) |
| Colour rendering index (CRI) | 83 |
| Colour tolerance | 3 |
| Photobiological safety according to EN 62471 | Risk group 1 |
| Driver | Converter, dimmable |
| Control | DALI |
| Voltage | 230 V / 50 Hz, 60 Hz |
| Luminaires on B10A fuse | 65 |
| Luminaires on B16A fuse | 104 |
| Luminaires on C10A fuse | 65 |
| Luminaires on C16A fuse | 104 |
| Inrush current / Inrush current duration | 0.17 A |
| CIE Flux Code / CEN Flux Code | 41 72 91 83 100 |
| Type of protection | IP 40 |
| Protection class | I |
| Filament test | 650 °C |
| Impact resistance | IK03 |
| Ambient temperature | -20 °C ... + 35 °C |
| Conformity mark | CE |

Spareparts



08-312086.002
Replacement diffuser