



Floodlight Modulo Performer

- NEW: 380W versions available
- Precise modular optical design for area, object and facade lighting
- Super slim aluminium body with integrated heatsink
- Very high efficacy of up to 140 lm/W
- Standard asymmetric (AS) and narrow (N) beam angles available
- Robust design with high protection against water and dust
- Available in wide range from 9,800 up to 53,200 lumen
- IP66 and suitable for use on coastal applications
- Equipped with breather to prevent condensation



Specifications

Item Code	Item Description	Equivalent to (W)	Power (W)	Lumen	Efficacy (lm/W)	CCT (K)	Beam angle	Surge protection	Weight (kg/pc)
On-Off									
709000056900	LEDfloodMo-P Re340-70W-840-AS	HID 150W	70	9800	140	4000	40° x 100°	10 kV	4.40
709000057500	LEDfloodMo-P Re340-100W-840-AS	HID 250W	100	14000	140	4000	40° x 100°	10 kV	4.40
709000058100	LEDfloodMo-P Re450-150W-840-AS	HID 400W	150	21000	140	4000	40° x 100°	6 kV	5.70
709000058500	LEDfloodMo-P Re450-200W-840-N	HID 400W	200	28000	140	4000	45°	6 kV	5.70
709000058700	LEDfloodMo-P Re450-200W-840-AS	HID 400W	200	28000	140	4000	40° x 100°	6 kV	5.70
709000058800	LEDfloodMo-P Re450-200W-857-N	HID 400W	200	28000	140	5700	45°	6 kV	5.70
709000059000	LEDfloodMo-P Re450-200W-857-AS	HID 400W	200	28000	140	5700	40° x 100°	6 kV	5.70
709000059100	LEDfloodMo-P Re570-250W-840-N	HID 2x250W	250	35000	140	4000	45°	10 kV	7.67
709000059300	LEDfloodMo-P Re570-250W-840-AS	HID 2x250W	250	35000	140	4000	40° x 100°	10 kV	7.67
709000059400	LEDfloodMo-P Re570-250W-857-N	HID 2x250W	250	35000	140	5700	45°	10 kV	7.67
709000059600	LEDfloodMo-P Re570-250W-857-AS	HID 2x250W	250	35000	140	5700	40° x 100°	10 kV	7.67
709000059700	LEDfloodMo-P Re570-300W-840-N	HID 2x400W	300	42000	140	4000	45°	10 kV	7.67
709000059900	LEDfloodMo-P Re570-300W-840-AS	HID 2x400W	300	42000	140	4000	40° x 100°	10 kV	7.67
709000060000	LEDfloodMo-P Re570-300W-857-N	HID 2x400W	300	42000	140	5700	45°	10 kV	7.67
709000060200	LEDfloodMo-P Re570-300W-857-AS	HID 2x400W	300	42000	140	5700	40° x 100°	10 kV	7.67
709000078300	LEDfloodMo-P Re570-380W-840-N	HID 500W	380	53200	140	4000	45°	10 kV	7.67
709000078500	LEDfloodMo-P Re570-380W-840-AS	HID 500W	380	53200	140	4000	40° x 100°	10 kV	7.67
709000078600	LEDfloodMo-P Re570-380W-857-N	HID 500W	380	53200	140	5700	45°	10 kV	7.67
709000078800	LEDfloodMo-P Re570-380W-857-AS	HID 500W	380	53200	140	5700	40° x 100°	10 kV	7.67

Accessories



543098021900
LEDFixture-IP68-Connector-Kit-3



599000004600
LEDStreet-SE-ExtensionCable-6m

Technical Specifications	
Lifetime (L70)	100,000 h
Lifetime (L80)	70,000 h
Lifetime (L90)	50,000 h
On-/Off-cycles	100,000
Colour consistency (SDCM)	4
Dimmability	On-Off
Finishing	Grey RAL 870-3
Colour rendering index (CRI)	≥ 80
Degree of protection (IP)	IP66
Impact strength	IK08
Protection class	I
Risk group (EN 62471)	RG1
With control gear	Yes
Glow wire test	850°C
Power factor	≥ 0.9

Electrical Supply	
Frequency	50/60 Hz
Nominal voltage	220-240 V
DC input voltage	No
230V Cable length	1 m

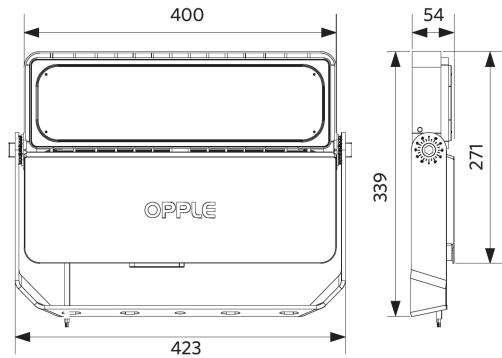
Mechanical Properties	
Housing material	Die-casted Aluminum
Optical material	Polycarbonate
Cover material	Polycarbonate
Coastal proof	Yes

Ambient Conditions	
Operating temperature	-40-+50°C
Application temperature	+25°C
Storage environment	-40-+50°C

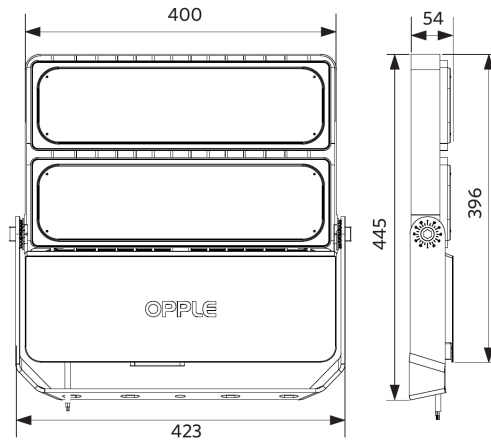


Dimensional Drawing (mm)

LED Flood Mo-P Re340



LED Flood Mo-P Re450



LED Flood Mo-P Re570

