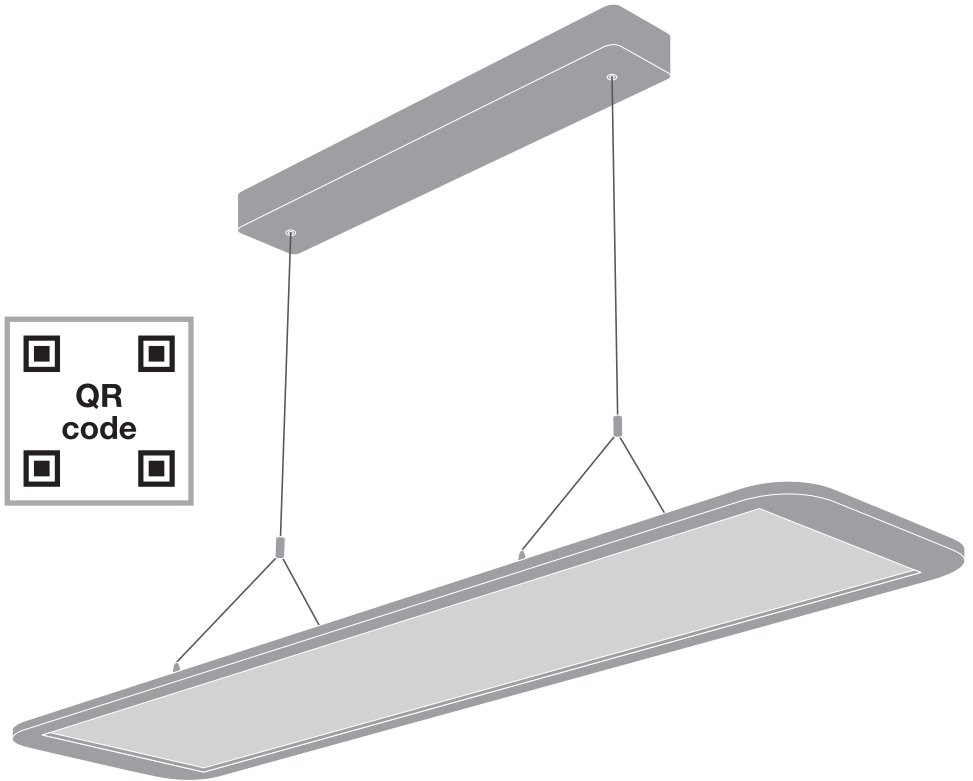


---

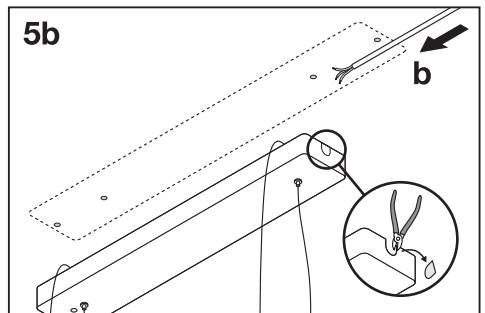
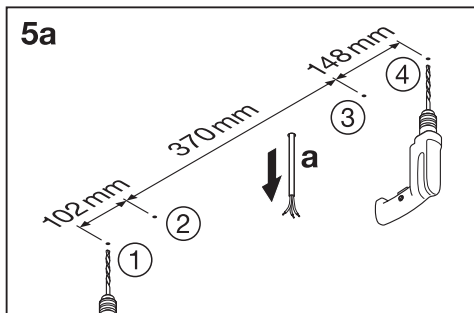
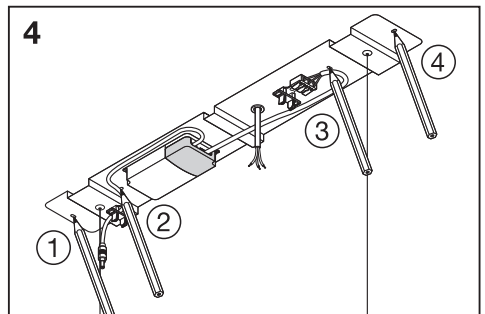
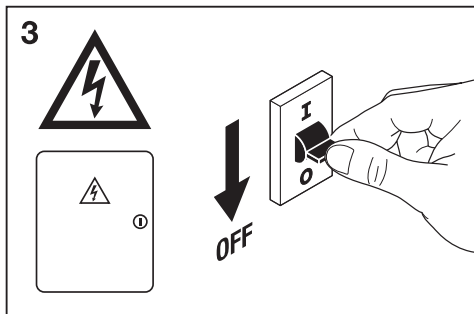
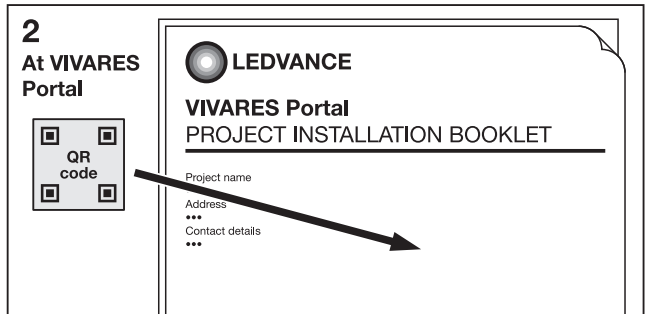
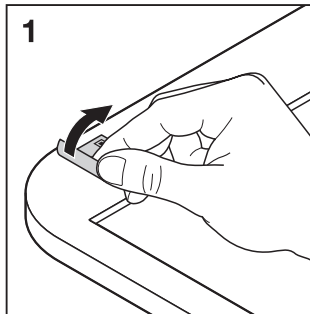
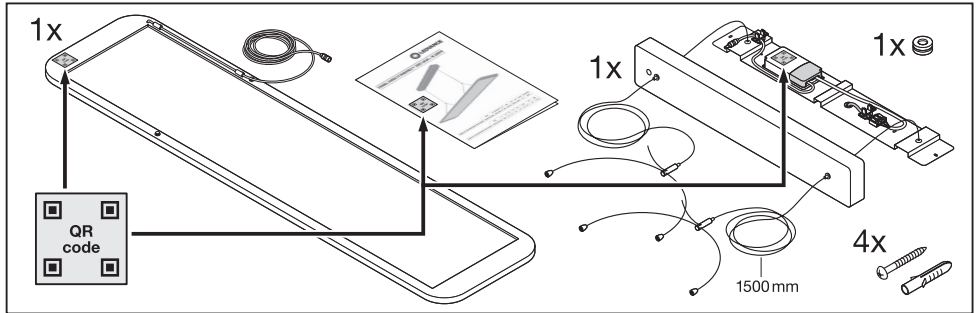
**PANEL DIRECT/INDIRECT 1200 UGR < 19 ZBVR**

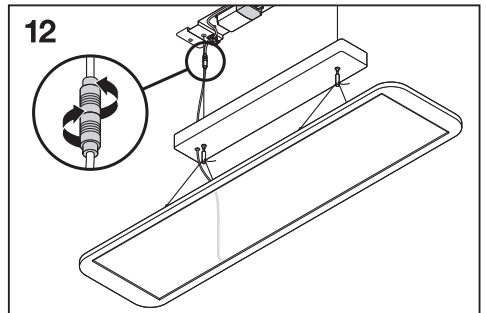
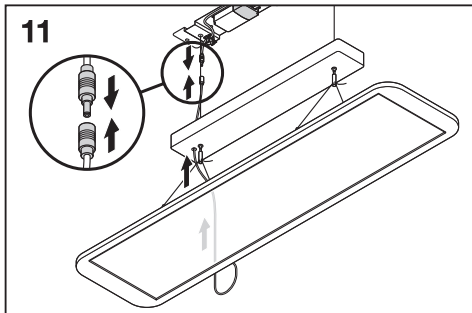
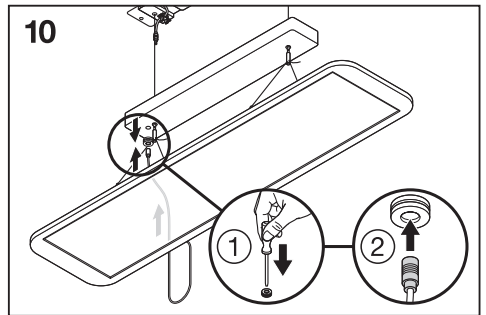
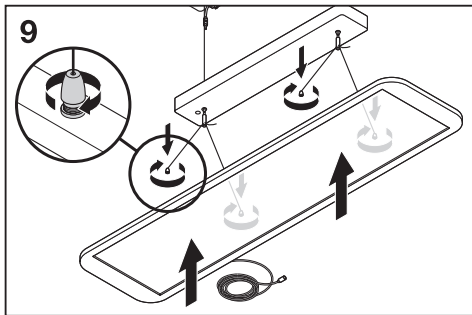
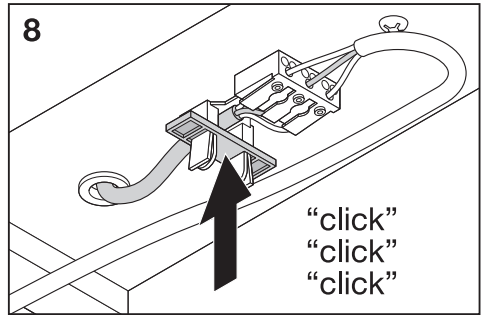
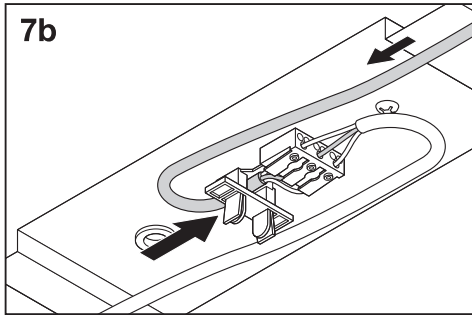
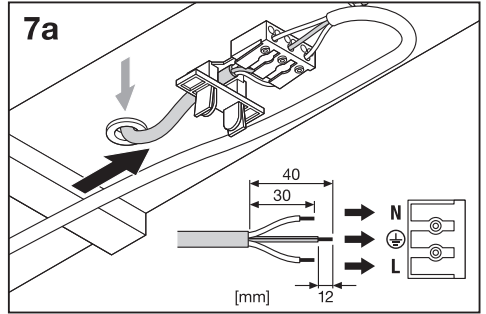
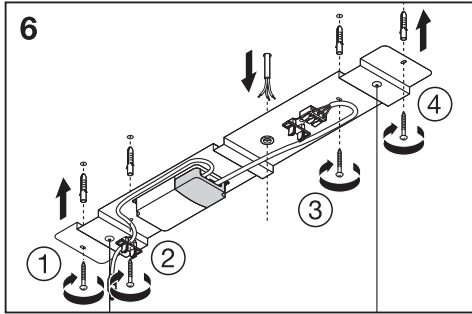

---

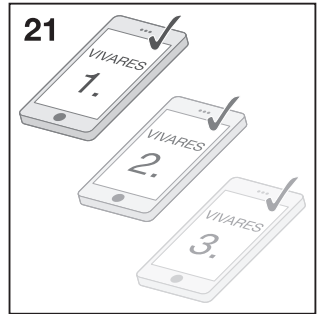
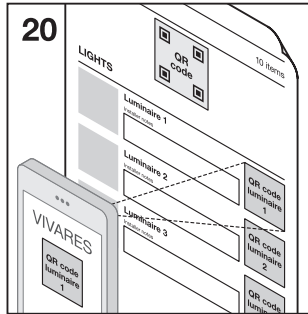
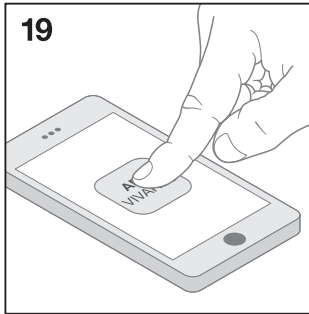
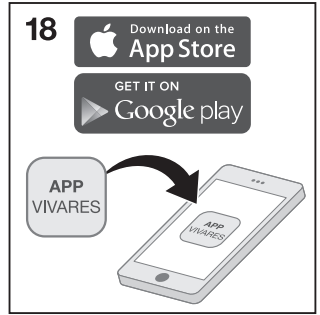
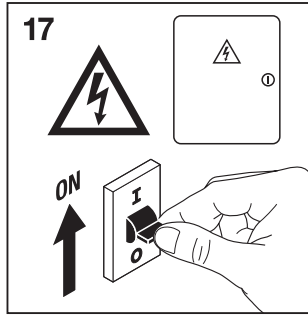
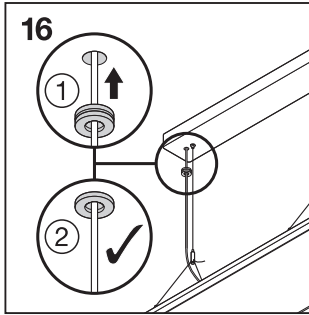
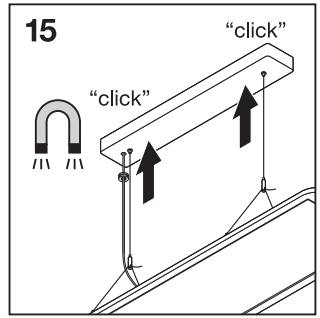
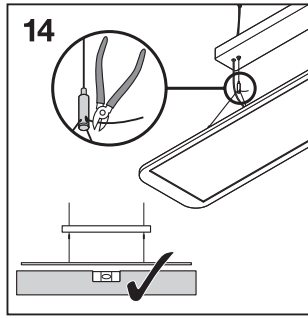
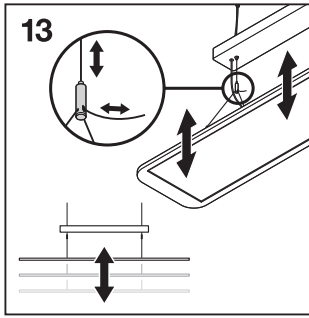


	EAN	l x w x h [mm]	W	V <sub>AC</sub>	Hz	lm	lm/W
PANEL D/I 1200 36W/4000K UGR 19 ZBVR	4058075521889	1200x300x16	36	220-240	50/60	4000	110

	EAN	K	IP	IK	∠	R <sub>a</sub>	° (°C)	PF	👤
PANEL D/I 1200 36W/4000K UGR 19 ZBVR	4058075521889	4000	20	03	110°	> 80	-20...+45	≥ 0.9	3.5 kg







	*C10A	*B16A	*C16A	ZigBee driver	lout [mA]	ZigBee DIM
<b>PANEL D/I 1200 36W/4000K UGR 19 ZBVR</b>	n=10	n=11	n=16	LC ZB 44/ 220-240/ P D/I 1200	800	



C10449057  
G11102791  
28.08.20



LEDVANCE GmbH  
Steinerne Furt 62  
86167 Augsburg, Germany  
[www.ledvance.com](http://www.ledvance.com)