

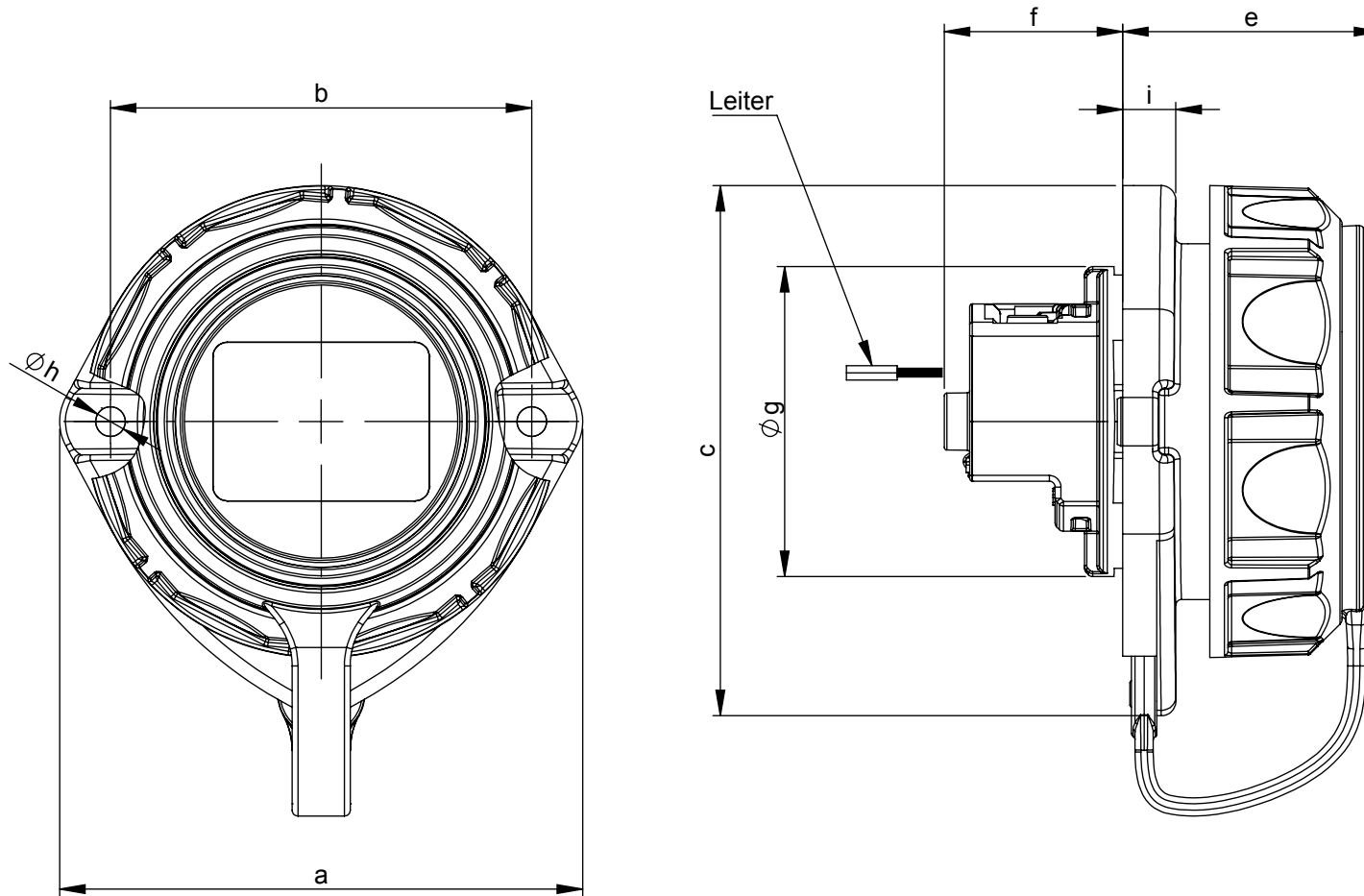
Maßskizze / dimensional drawing

Benennung: **Anbausteckdose oval mit Deckelband IP66/68**

description: **Flanged socket oval with cover band IP66/68**

Teilenummer / part number: **20341-9*, 20351-9***

PCE



| | |
|--------|------|
| Ampere | 16 |
| Pole | 2P+E |
| a [mm] | 72 |
| b [mm] | 58 |
| c [mm] | 75 |
| e [mm] | 36 |
| f [mm] | 25 |
| g [mm] | 43 |
| h [mm] | 4 |
| i [mm] | 7 |