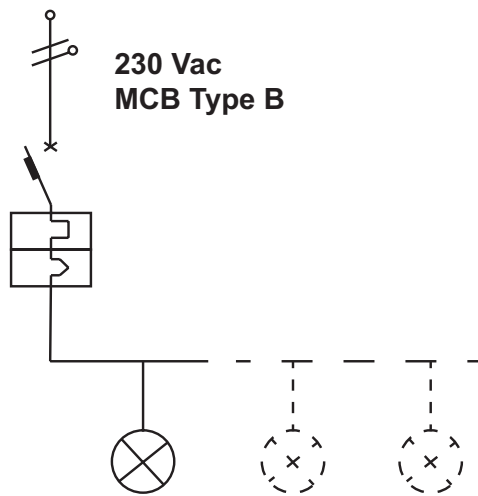
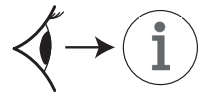
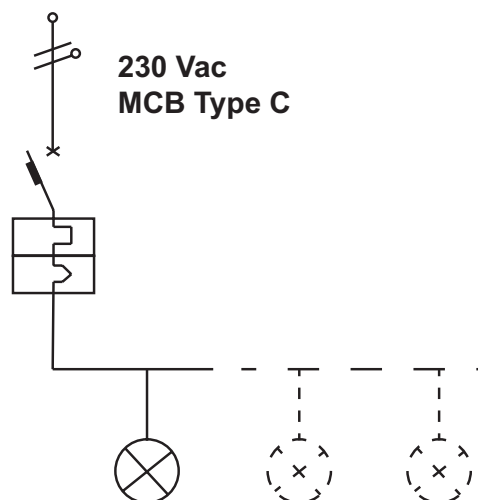


SMART [3] DALI

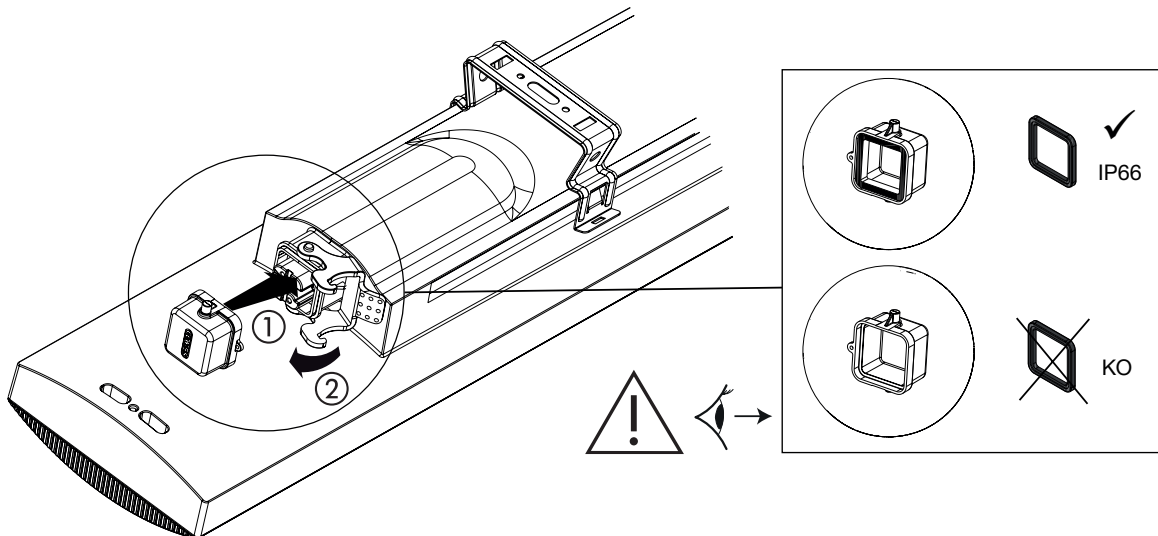
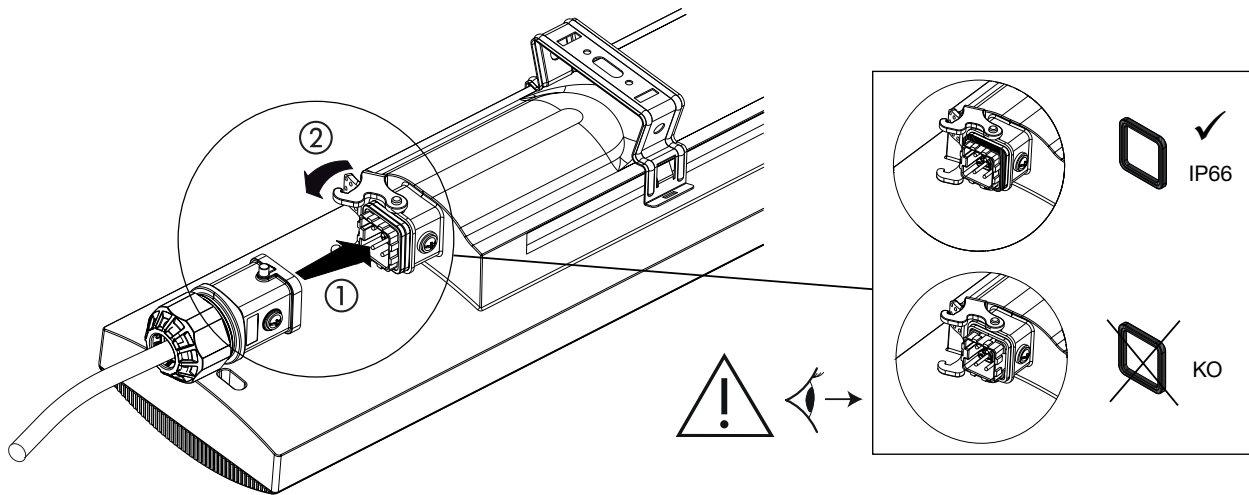
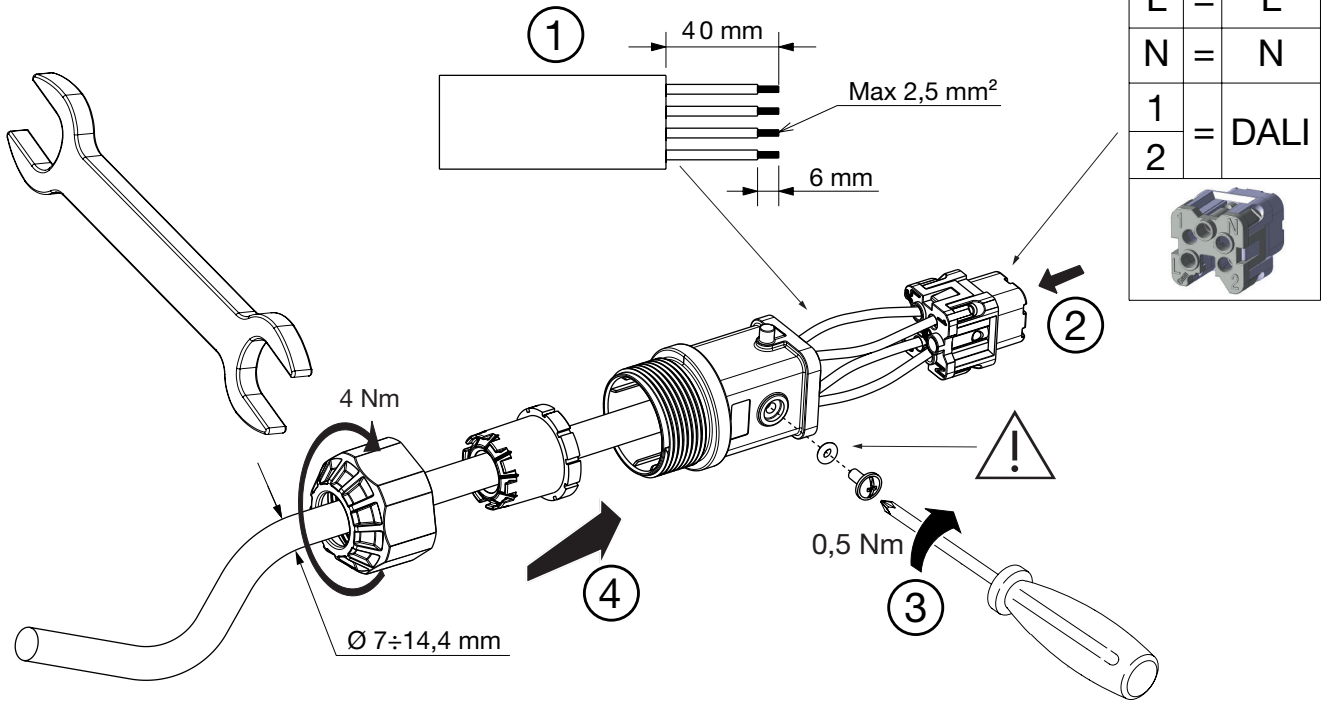
GEWISS

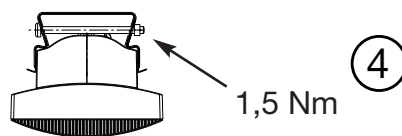
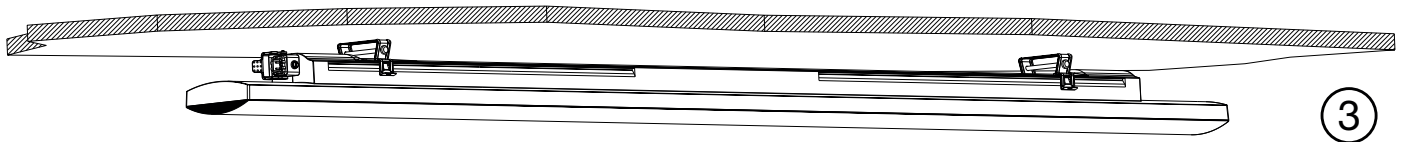
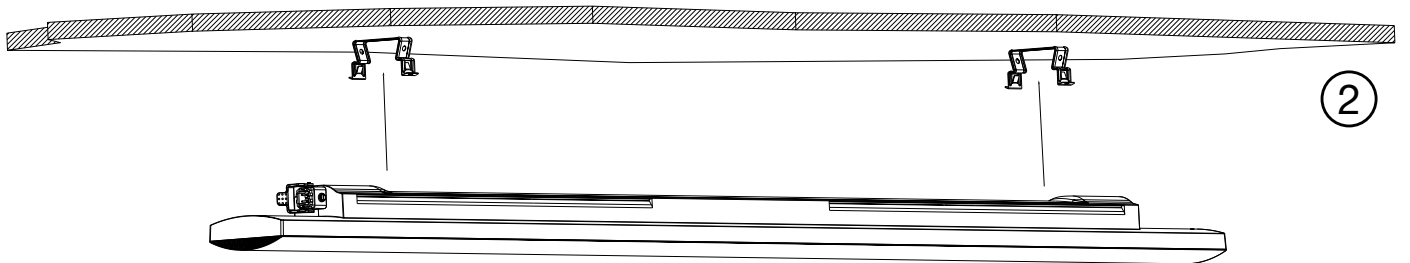
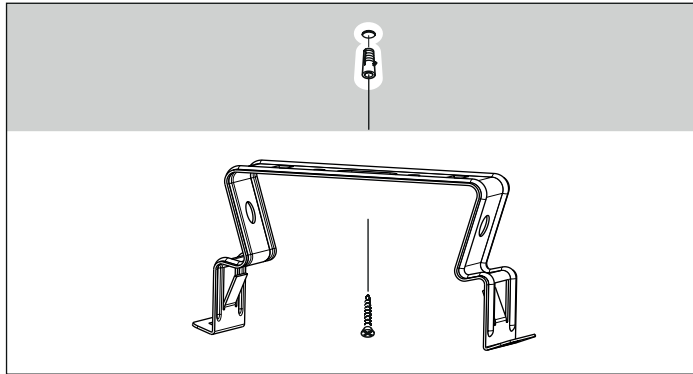


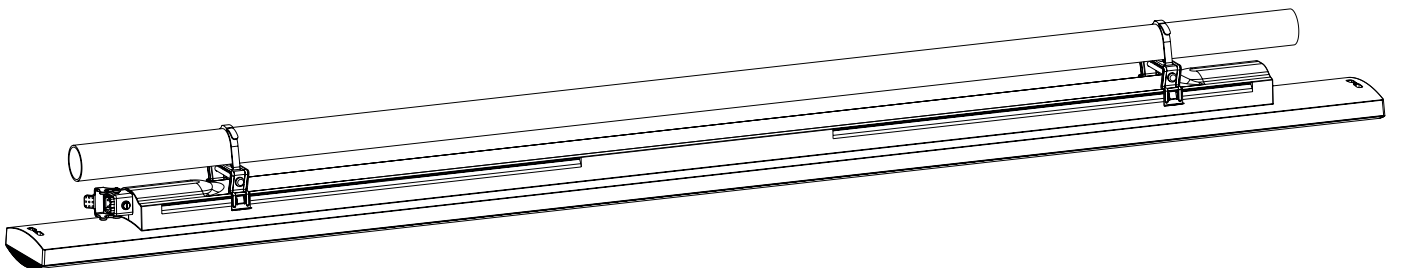
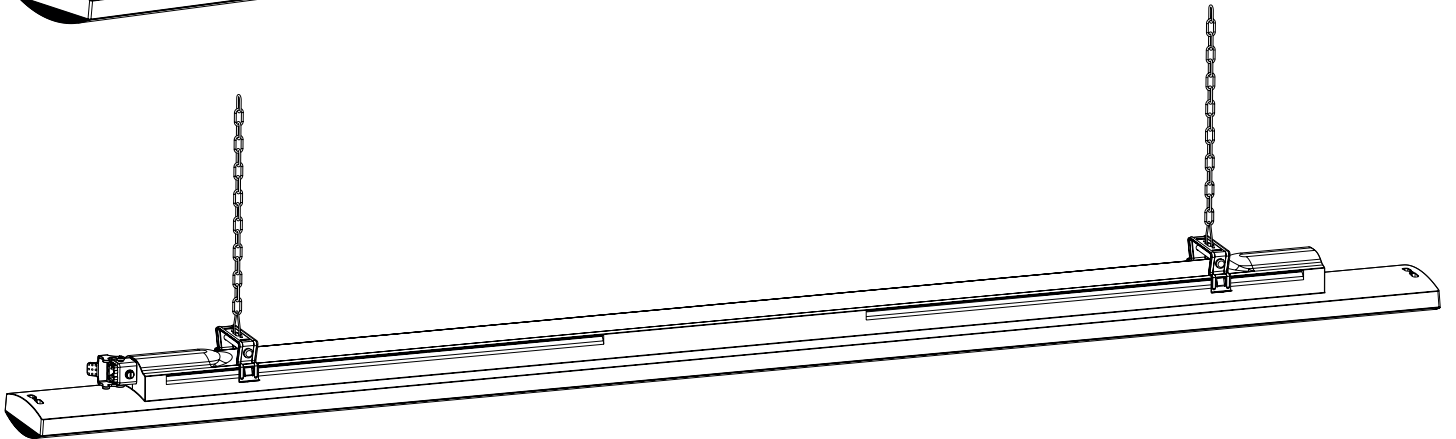
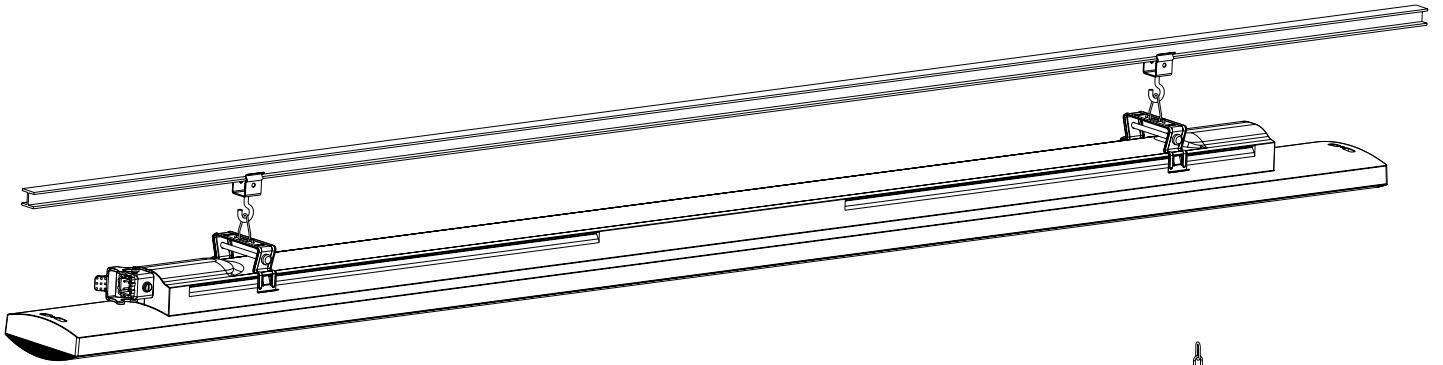
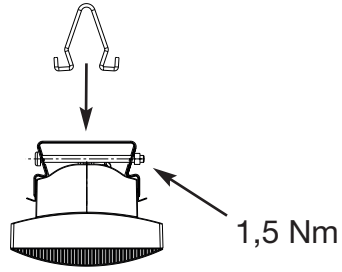
MCB current	10 A	16 A	20 A
max no. SMART [3]:	13	25	31

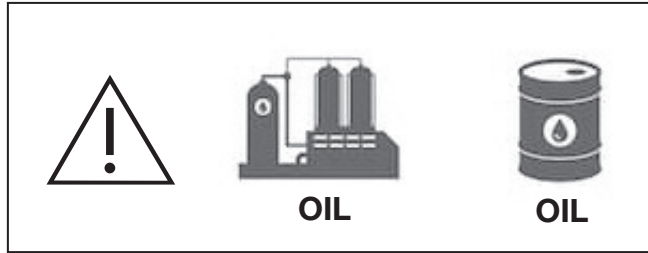


MCB current	10 A	16 A	20 A
max no. SMART [3]:	31	49	62

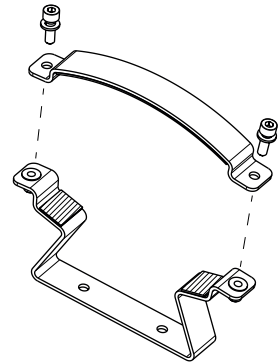
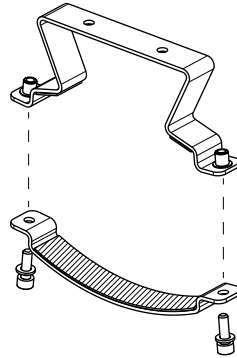
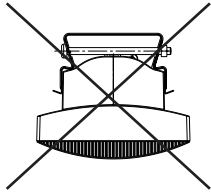
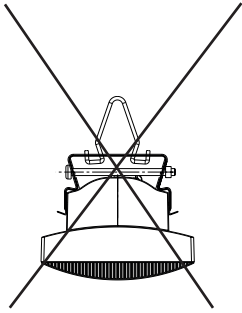




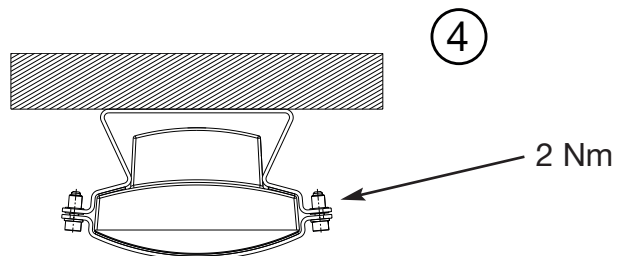
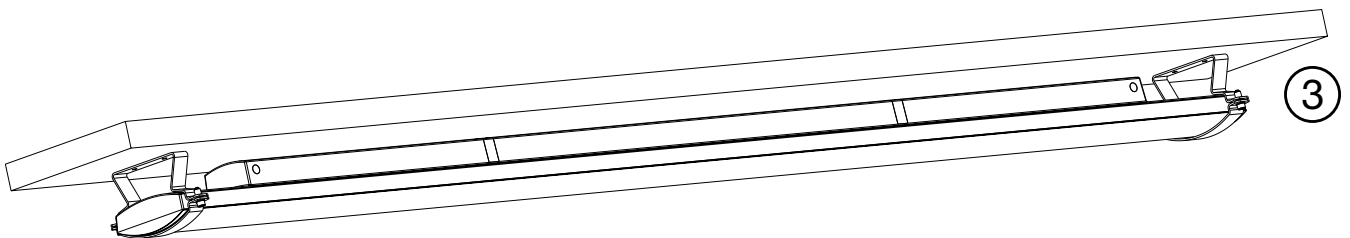
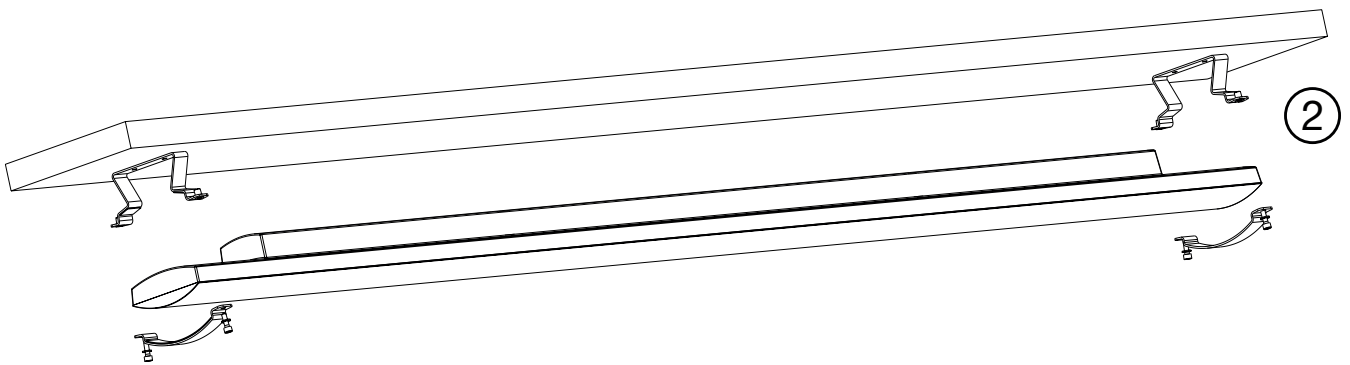
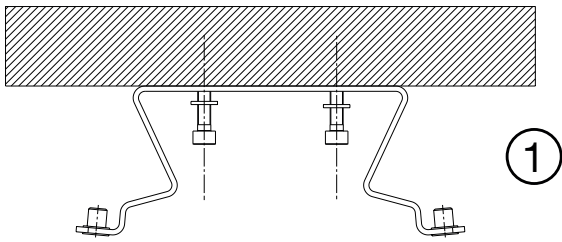


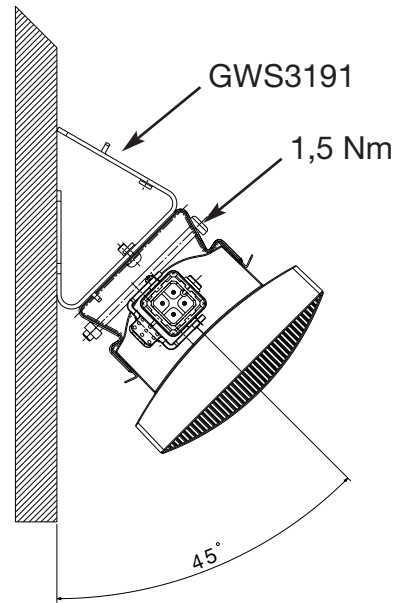
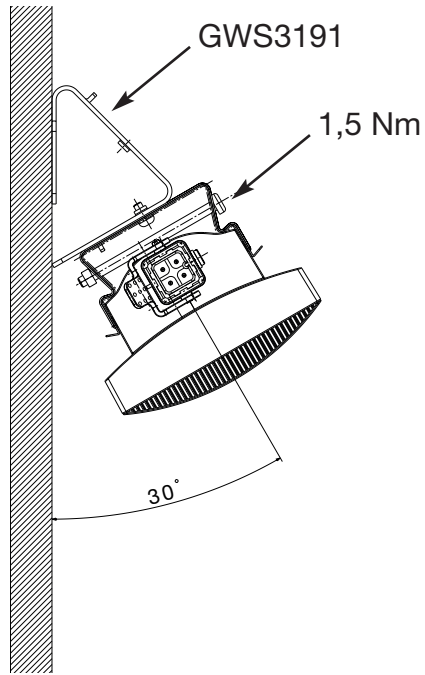


OK! ✓

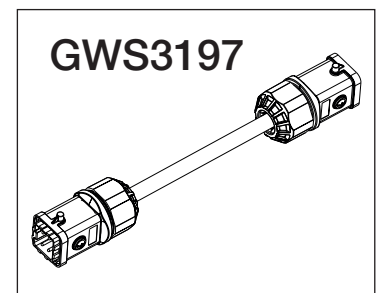
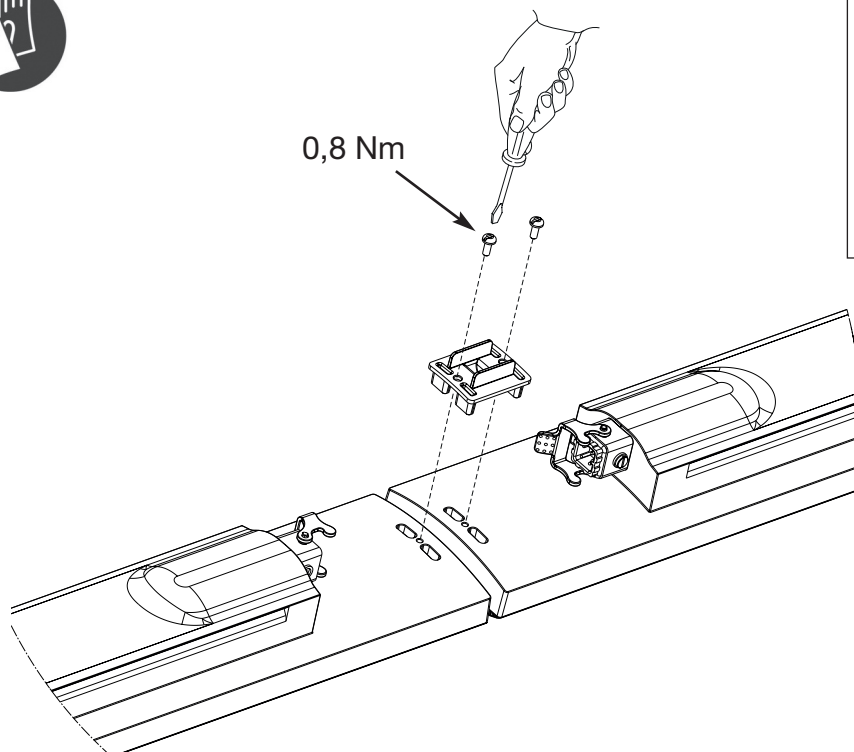


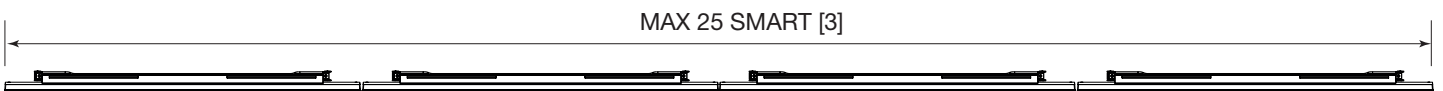
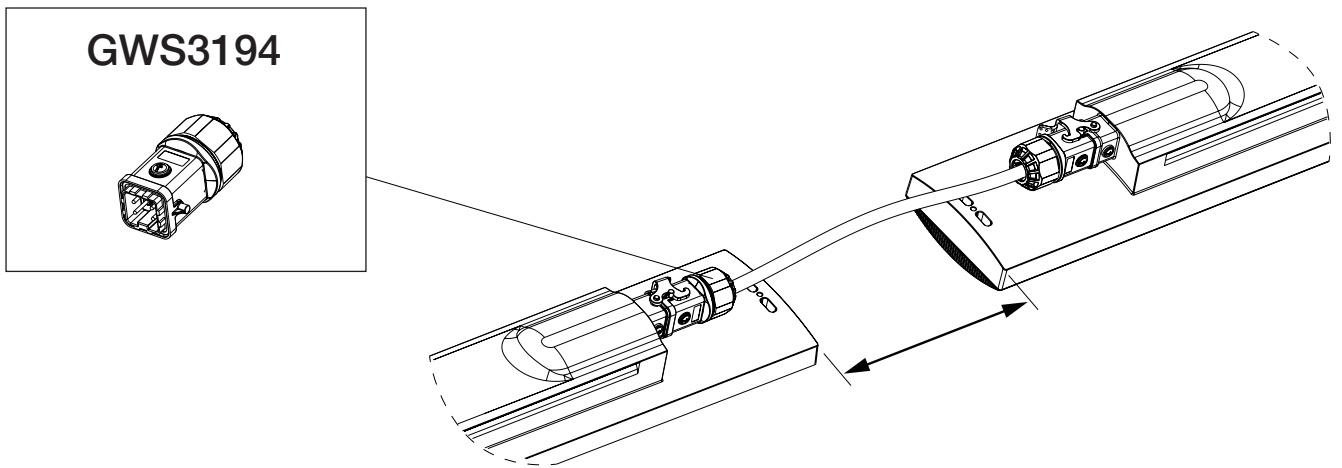
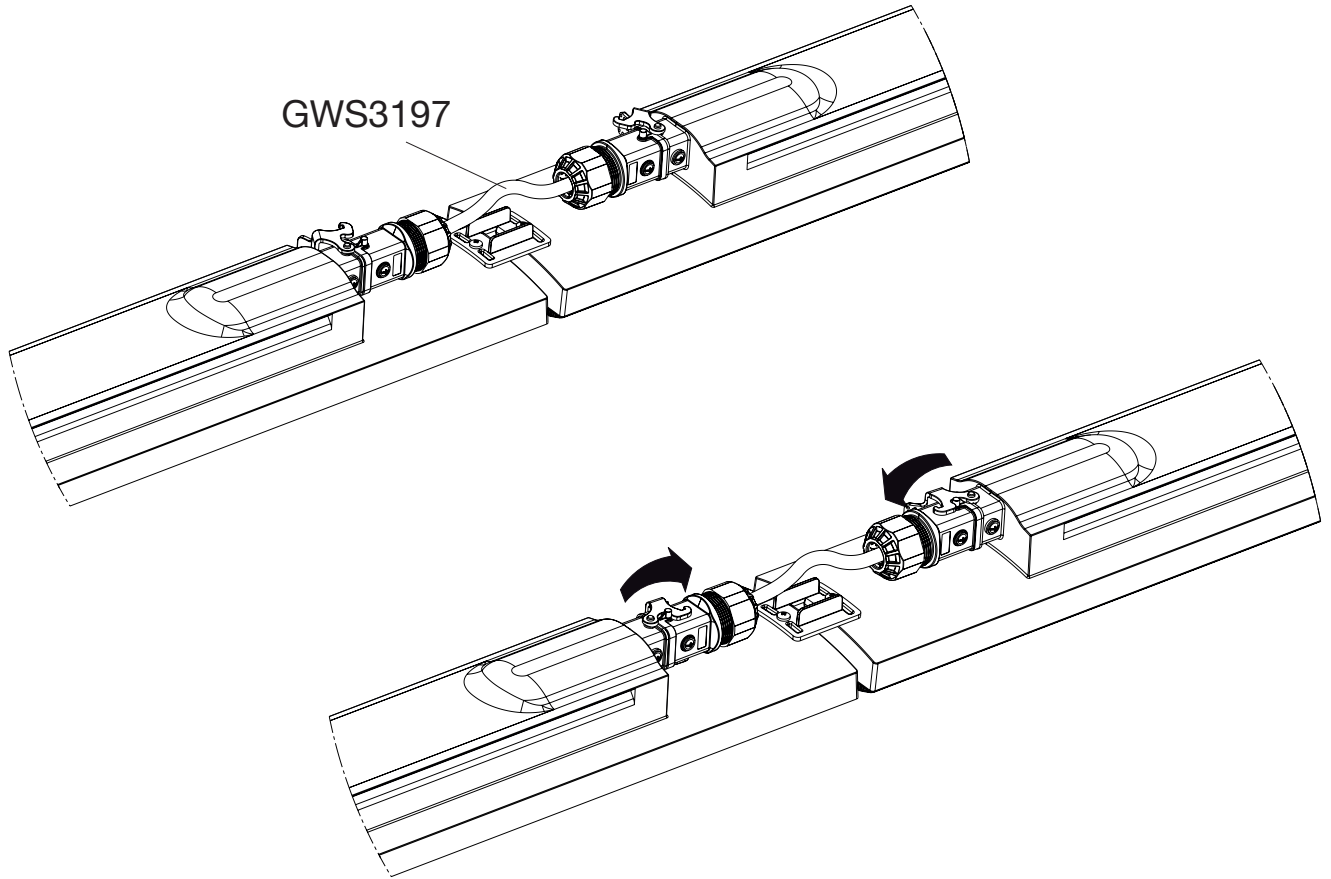
GWS3296

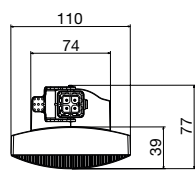
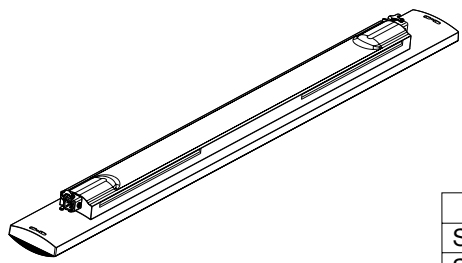
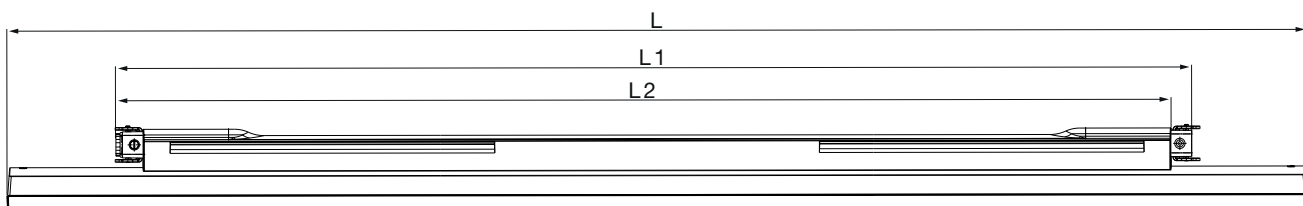




	L
SMART [3] 800	250÷475 mm
SMART [3] 1200	350÷910 mm
SMART [3] 1600	500÷1270 mm



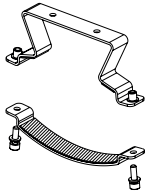




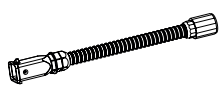
	L	L1	L2
SMART [3] 800	800	//	550
SMART [3] 1200	1200	//	970
SMART [3] 1600	1600	//	1370
SMART [3] 800 LP	800	590	//
SMART [3] 1200 LP	1200	990	//
SMART [3] 1600 LP	1600	1390	//



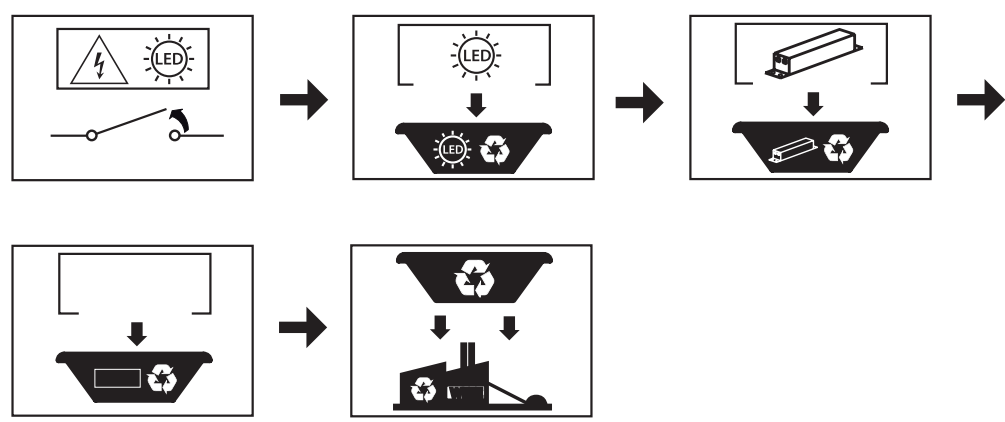
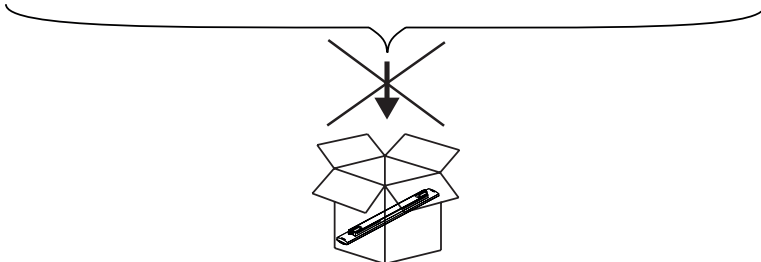
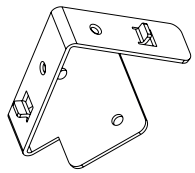
GWS3296



GWS3193



GWS3191



Punto di contatto indicato in adempimento ai fini delle direttive e regolamenti UE applicabili:
 Contact details according to the relevant European Directives and Regulations:
 GEWISS S.p.A. Via A.Volta, 1 IT-24069 Cenate Sotto (BG) Italy tel: +39 035 946 111 E-mail: qualitymarks@gewiss.com

According to applicable UK regulations, the company responsible for placing the goods in UK market is:
 GEWISS UK LTD - Unity House, Compass Point Business Park, 9 Stocks Bridge Way, ST IVES
 Cambridgeshire, PE27 5JL, United Kingdom tel: +44 1954 712757 E-mail: gewiss-uk@gewiss.com



+39 035 946 111
 8.30 - 12.30 / 14.00 - 18.00
 lunedì - venerdì - monday - friday



+39 035 946 260



sat@gewiss.com
 www.gewiss.com