

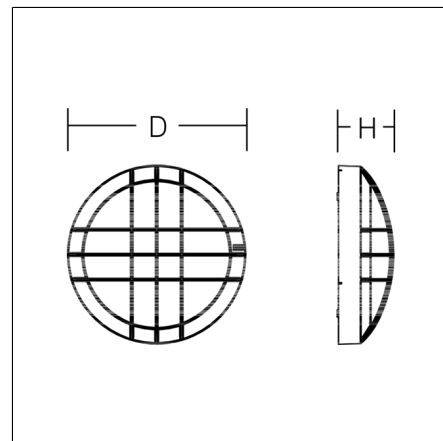
ROUNDED maxi

581641.0031.1.19 | Ceiling and wall luminaires



Ceiling and wall luminaires
4051859227533
D 400, H 127

Ceiling mounting, Wall (surface)
anthracite metallic (DB703)



Round ceiling and wall luminaire with elegant appearance for outdoor use. Base, housing and protective guard made of corrosion resistant pressure die-cast aluminium, seawater resistant powder-coated. With membrane valve as a standard to avoid condensed water. Diffuser: crystal glass (satin finish) with diffuser fixing. Base fixing slots outside of gasketed area, drill hole deviations can be compensated. Screwless cover fixing via bayonet lock with safety catch. Includes 1 anti-theft device. With movement sensor. Mains connection 2 x 3 x 1.5 mm².

Product specifications

| | |
|--|--------------------------|
| Diameter D | 400 mm |
| Height H | 127 mm |
| Weight | 4.7 kg |
| Light source | LED |
| Colour temperature | 4000 K |
| Rated luminous flux | 1150 lm |
| System power | 19 W |
| System efficiency | 61 lm/W |
| Glare evaluation UGR (4H 8H) | 21 |
| Beam angle | 114° |
| Rated life | 50000 h (L80/B10) |
| Colour rendering index (CRI) | 80 |
| Colour tolerance | 3 |
| Photobiological safety according to EN 62471 | Risk group 1 |
| Driver | Converter |
| Control | on/off |
| Voltage | 220 - 240 V / 50 - 60 Hz |
| Luminaires on B10A fuse | 77 |
| Luminaires on B16A fuse | 124 |
| Luminaires on C10A fuse | 77 |
| Luminaires on C16A fuse | 124 |
| CIE Flux Code / CEN Flux Code | 44 73 91 96 100 |
| Type of protection | IP 65 |
| Protection class | I |
| Filament test | 960°C - 30 seconds |
| Impact resistance | IK07 |
| Ambient temperature | -20 °C ... + 40 °C |
| Conformity mark | CE, EAC |

Accessories



982410.003
Theft protection

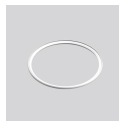
ROUNDED maxi

581641.0031.1.19 | Ceiling and wall luminaires

Spareparts



981212.002
Replacement glass



982585.002
Replacement gasket