

# Product Data Sheet

## GWJ3213A

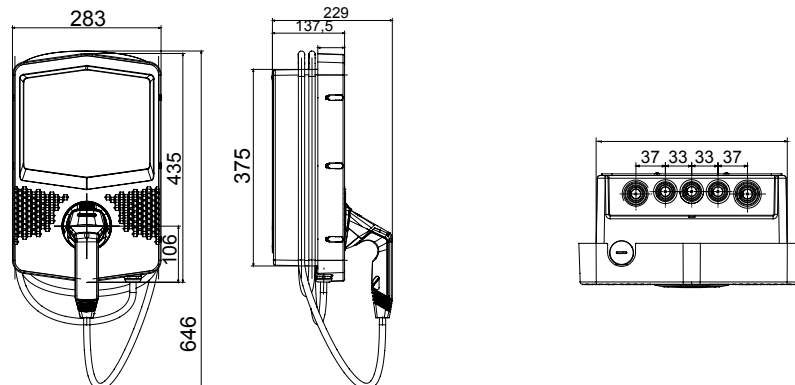
JOINON range



The I-CON wall boxes are the JOINON solution designed and studied for integration into private and semi-public contexts in accordance with the international standard IEC 61851-1 ed. 3. They feature an elegant and compact design, a special "one-hand recharge" function, a vandal-proof socket as an alternative to the cable and holder connector integrated in the station, an IP55 protection rating together with an IK10 impact rating, smart load management, back-lighting and various installation options: wall-mounting, flush-mounting or floor-mounting.

<b>INPUT</b>		- Socket/Connector Nr. (Type)	1 (Type 2 connector with 5 mt. cable)
Terminal blocks	5 x 10 mm <sup>2</sup>	Charging activation	Free access
Rated current	16 A	Human Interface	LED RGB + slide touch display
Total power	11 Kilowatt	Connectivity	No
<b>OUTPUT</b>		<b>MECHANICAL FACTS</b>	-
Rated voltage	400 V	Mounting and installation	Wall mounting (floor mounting with support)
Current supplied (max)	16 A	Colour	Dark grey
Maximum current	11 Kilowatt	Material	Thermoplastic (Post-industrial origin)
Thermal-magnetic protection	Currently not present	External treatments	No
Type of residual current protection	Currently not present	IP degree	IP55
Power meter	Currently not present	Mechanical resistance	IK10
DC Leakage check	Yes	Operating temperature	-25 +50 °C
(Auto)restart electrical protections	Currently not present	Customizations	No

### DIMENSIONAL



10

### TECHNICAL SYMBOLOGY

**IP**

IP55

**IK**

IK10

### STANDARDS/APPROVALS



GEWISS S.p.A. Via A. Volta, 1  
24069 Cenate Sotto - Bergamo - Italy  
tel. +39 035 94 61 11 fax +39 035 94 69 09

www.gewiss.com  
sat@gewiss.com  
Last update 20/04/2023

Data, measures, designs and pictures are shown only as informative purposes, and could be changed without previous notice