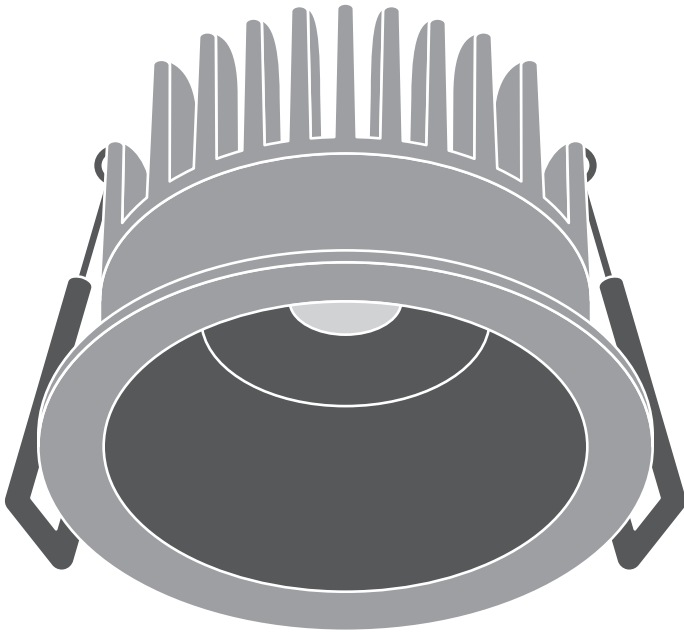





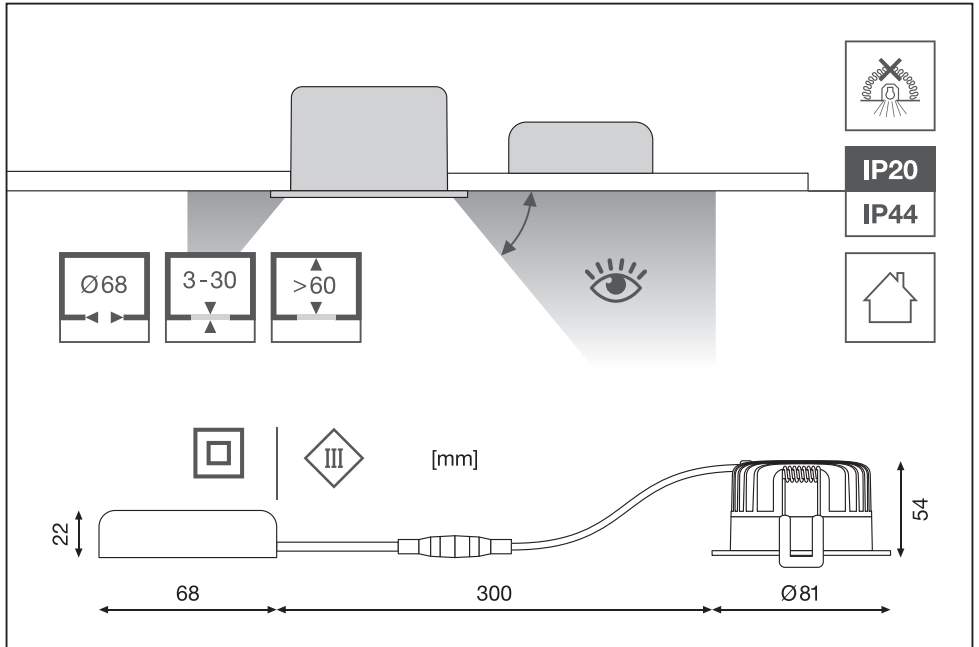
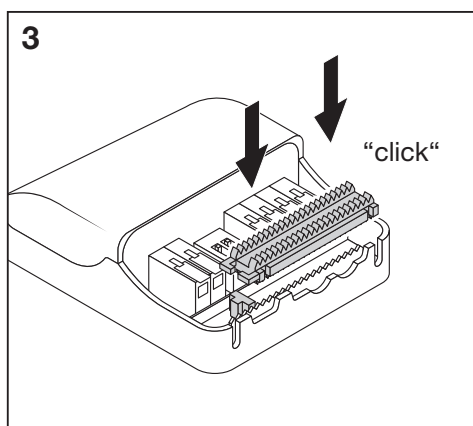
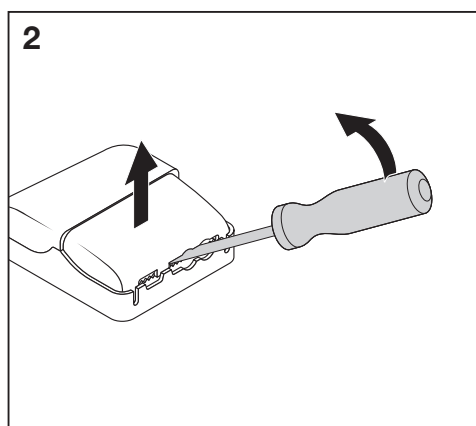
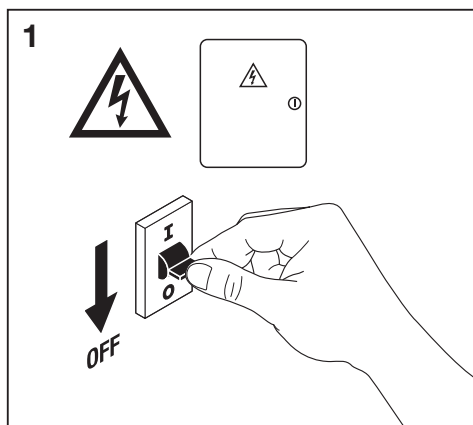
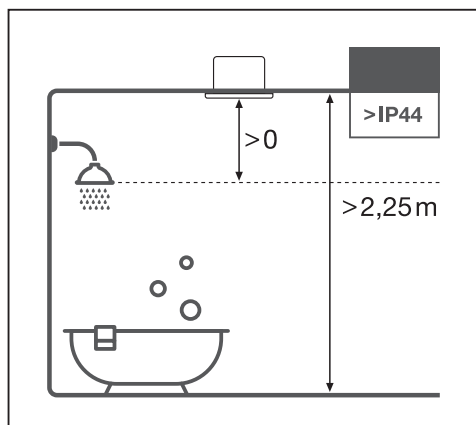
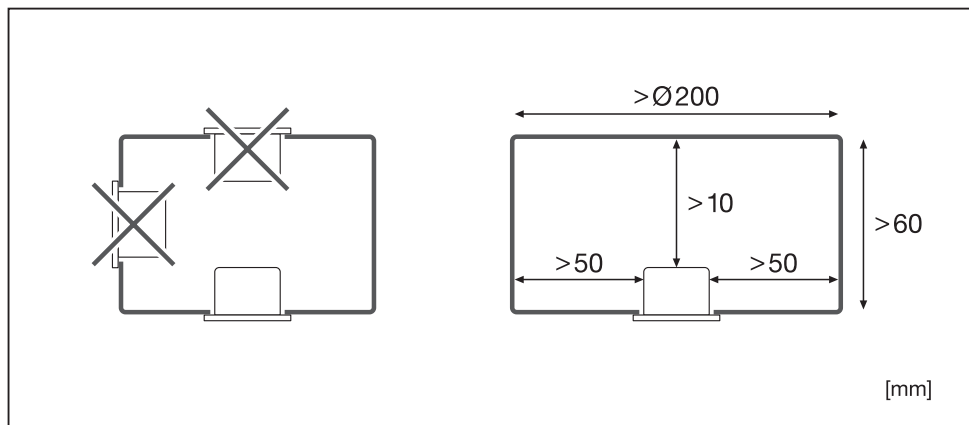

SPOT DARKLIGHT





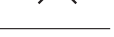
	EAN	W	Hz	PF	lm	lm/W	K	R _a	
SP DK FIX P 8W 927 PS DIM IP44 WT	4058075799806	8	50/60 Hz	> 0.9	640	80	2700	90	36°
SP DK FIX P 8W 930 PS DIM IP44 WT	4058075799820	8	50/60 Hz	> 0.9	680	85	3000	90	36°
SP DK FIX P 8W 940 PS DIM IP44 WT	4058075799844	8	50/60 Hz	> 0.9	720	90	4000	90	36°
SP DK FIX P 8W 927 PS DIM IP44 BK	4099854000164	8	50/60 Hz	> 0.9	640	80	2700	90	36°
SP DK FIX P 8W 930 PS DIM IP44 BK	4058075799868	8	50/60 Hz	> 0.9	680	85	3000	90	36°
SP DK FIX P 8W 930 PS DIM IP44 SI	4058075799882	8	50/60 Hz	> 0.9	680	85	3000	90	36°



	EAN	 CC mA	 V _{dc}	IP	IK	Ø x h [mm]		 (°C)
SP DK FIX P 8W 927 PS DIM IP44 WT	4058075799806	180	30 - 40	44/20	03	81x54	0.3 kg	-20...+40
SP DK FIX P 8W 930 PS DIM IP44 WT	4058075799820	180	30 - 40	44/20	03	81x54	0.3 kg	-20...+40
SP DK FIX P 8W 940 PS DIM IP44 WT	4058075799844	180	30 - 40	44/20	03	81x54	0.3 kg	-20...+40
SP DK FIX P 8W 927 PS DIM IP44 BK	4099854000164	180	30 - 40	44/20	03	81x54	0.3 kg	-20...+40
SP DK FIX P 8W 930 PS DIM IP44 BK	4058075799868	180	30 - 40	44/20	03	81x54	0.3 kg	-20...+40
SP DK FIX P 8W 930 PS DIM IP44 SI	4058075799882	180	30 - 40	44/20	03	81x54	0.3 kg	-20...+40

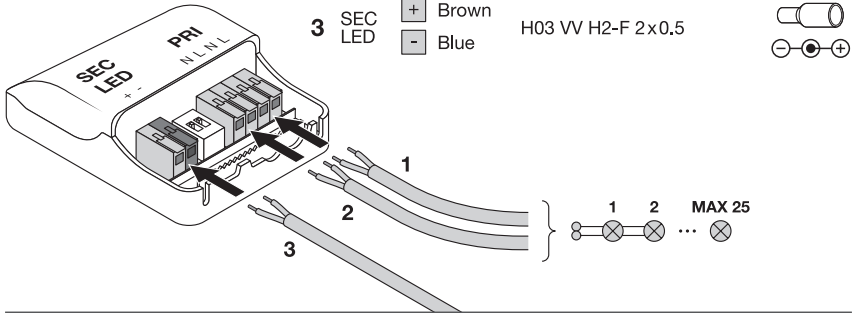




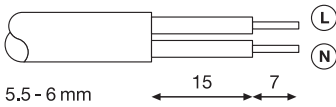
4

- 1 PRI N Blue H03 VV-F 2x0.75 D5.5 
- 2 PRI L Brown H05 VV-F 2x1.0 D6.0 
- H05 VV-F 2x1.5 D7.5 

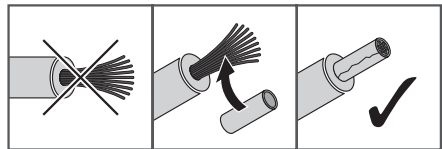
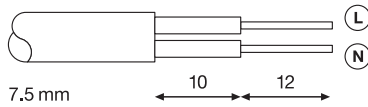
- 3 SEC LED + Brown H03 VV H2-F 2x0.5 
- Blue 

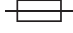
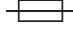
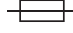


H03 VV-F 2 x 0.75 D 5.5
H05 VV-F 2 x 1.0 D 6.0

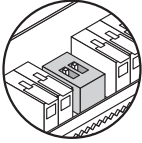


H05 VV-F 2 x 1.5 D 7.5

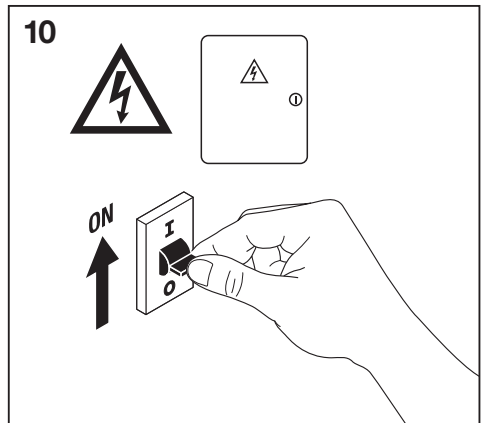
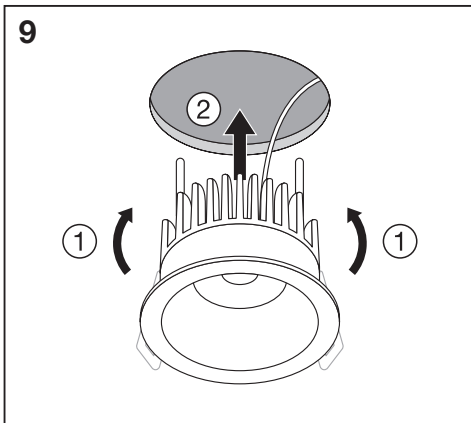
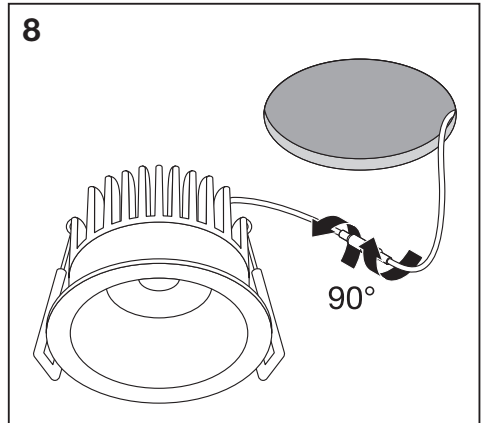
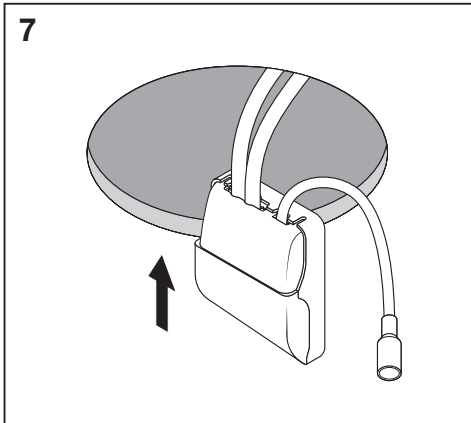
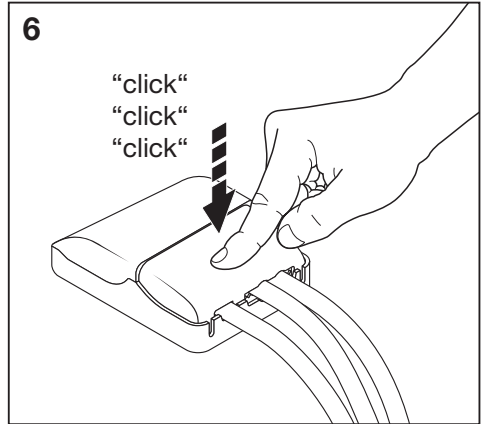


C10	B16	C16
		
n=336	n=336	n=210

5



	✓	✓	✓	○
	Preset			
Current (CC)	85mA	140mA	180mA	140mA
Power	4W	6W	8W	6W
% rated lumen	50%	80%	100%	80%



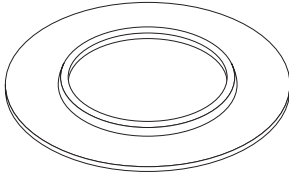
SP RING D100

EAN 4099854136511
(WHITE)
EAN 4099854136542
(BLACK)



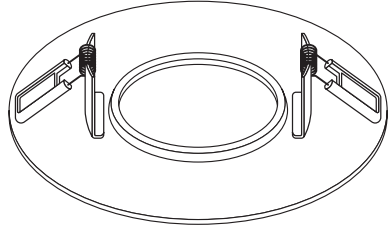
SP RING D133

EAN 4099854013355
(WHITE)
EAN 4099854013386
(BLACK)



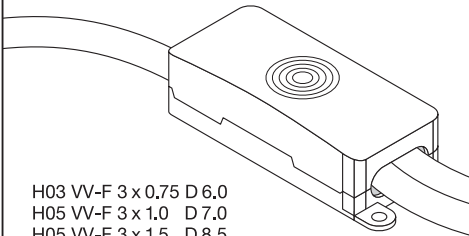
SP RING D180

EAN 4099854013416 (WHITE)
EAN 4099854013447 (BLACK)

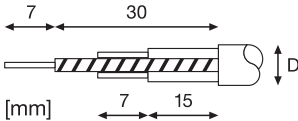


CONNECTOR BOX 3 POLE

EAN 4099854013508

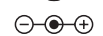
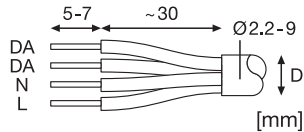
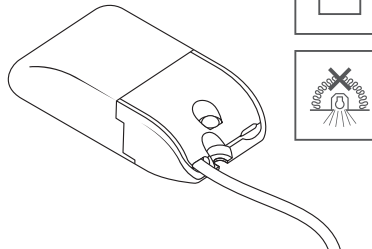


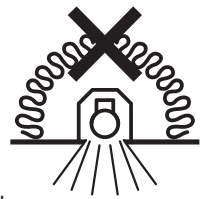
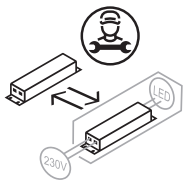
H03 VV-F 3 x 0,75 D 6,0
H05 VV-F 3 x 1,0 D 7,0
H05 VV-F 3 x 1,5 D 8,5



SP DRIVER DALI

EAN 4099854089558





FR
Cet appareil et ses accessoires se recyclent

À DÉPOSER EN MAGASIN
 À DÉPOSER EN DÉCHÈTERIE

OU

Points de collecte sur www.quefairedemesdechets.fr



LEDVANCE GmbH
 Steinerne Furt 62
 86167 Augsburg, Germany
www.ledvance.com

C10449058
 G11170245
 15.05.23

© LEDVANCE Ltd, Aquila House
 Delta Crescent, Westbrook, Warrington
 WA5 7NR, United Kingdom