



CorePro LEDspot LV

CorePro LED spot ND 4.4-35W MR16 827 36D

CorePro LEDspots are a perfect fit for spot lighting and deliver warm halogen-like light. They are compatible with most existing fixtures with MR16 GU5.3 holders and are designed as a retrofit replacement for halogen or incandescent spots. CorePro LEDspots deliver huge energy savings and minimize maintenance cost.

Product data

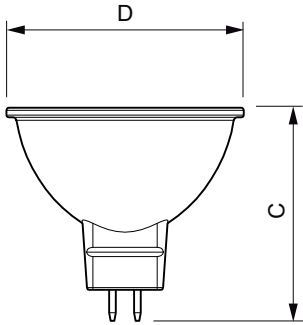
General Information		Power Consumption	
Cap-Base	GU5.3 [GU5.3]	Power Consumption	4.4 W
Nominal lifetime	15,000 hour(s)	Lamp Current (Nom)	520 mA
Switching Cycle	50,000	Wattage Equivalent	35 W
Lighting Technology	LED	Starting Time (Nom)	0.5 s
Flux measurement reference	Narrow Cone	Warm-up time to 60% light	0.5 s
		Power Factor (Fraction)	0.6
		Voltage (Nom)	ac electronic 12 V
Light Technical		Temperature	
Color Code	827 [CCT of 2700K]	T-Case Maximum (Nom)	85 °C
Beam Angle (Nom)	36 degree(s)		
Luminous Flux	345 lumen	Controls and Dimming	
Luminous Intensity (Nom)	650 cd	Dimmable	No
Color Designation	Warm White (WW)		
Correlated Color Temperature (Nom)	2700 K	Mechanical and Housing	
Luminous Efficacy (rated) (Nom)	78 lm/W	Bulb Shape	MR16 [2inch/50mm]
Color Consistency	<6		
Color rendering index (CRI)	80	Approval and Application	
LLMF At End Of Nominal Lifetime (Nom)	70 %	Suitable For Accent Lighting	Yes
Luminous Flux in 90° Cone (Rated)	345 lumen	Energy Consumption kWh/1000 h	5 kWh
		EPREL Registration Number	421,457
		CE mark	Yes
Operating and Electrical			
Line Frequency	- Hz		
Input Frequency	- Hz		

CorePro LEDspot LV

EU RoHS compliant	Yes
Product Data	
Full product code	871951430706300
Order product name	CorePro LED spot ND 4.4-35W MR16 827 36D
Order code	929002494602
Numerator - Quantity Per Pack	1

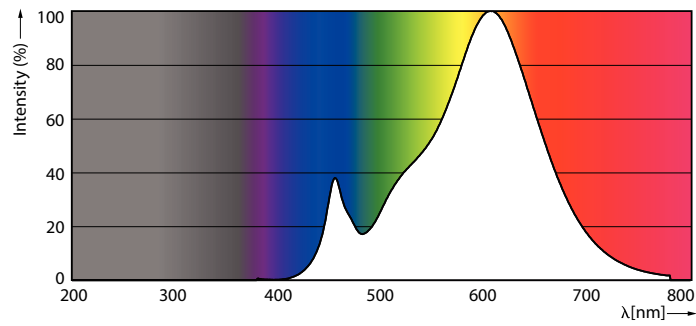
Numerator - Packs per outer box	10
Material number (12NC)	929002494602
Net weight	0.045 kg
Full product name	CorePro LED spot ND 4.4-35W MR16 827 36D
EAN/UPC - Case	8719514307070

Dimensional drawing

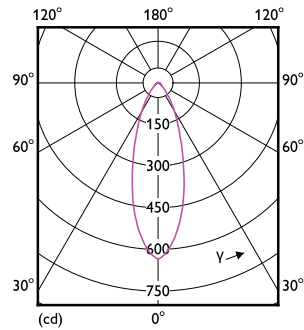


Product	D	C
CorePro LED spot ND 4.4-35W MR16 827 36D	50.5 mm	45.5 mm

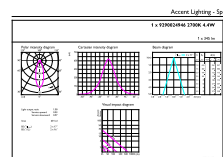
Photometric data



Spectral Power Distribution Colour - CorePro LED spot ND 4.4-35W MR16 827 36D

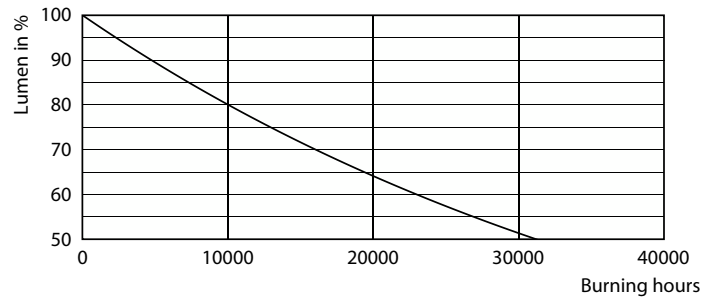


Light Distribution Diagram - CorePro LED spot ND 4.4-35W MR16 827 36D



CorePro LEDspot LV

Lifetime



Life Expectancy Diagram - CorePro LED spot ND 4.4-35W MR16 827 36D

Lumen Maintenance Diagram - CorePro LED spot ND 4.4-35W MR16 827 36D

