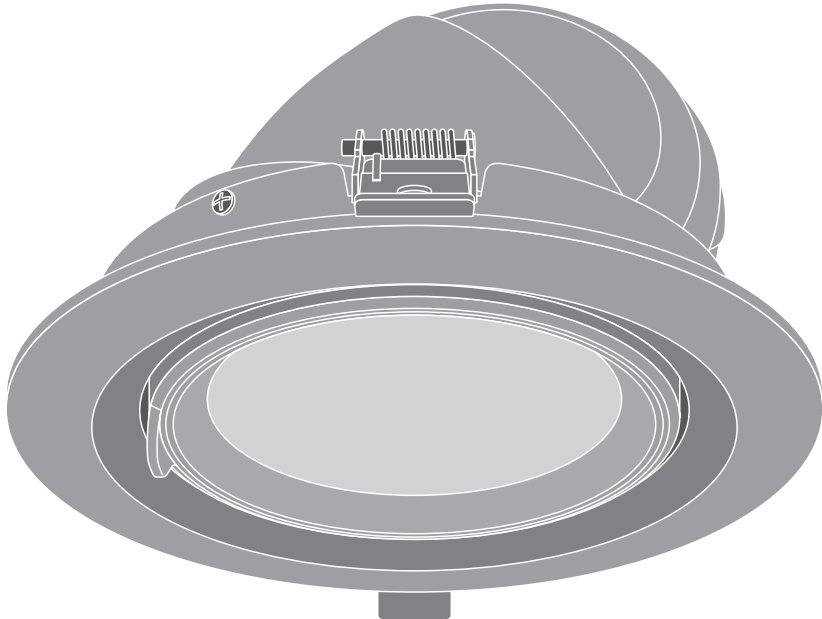


---

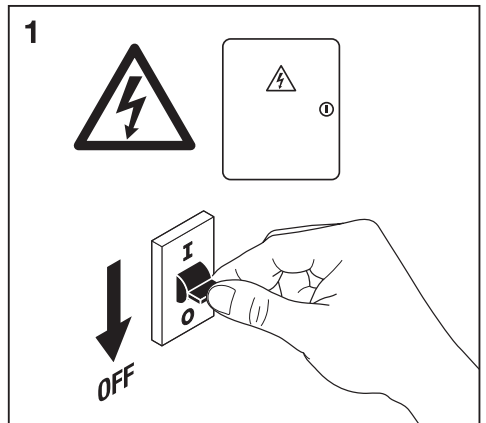
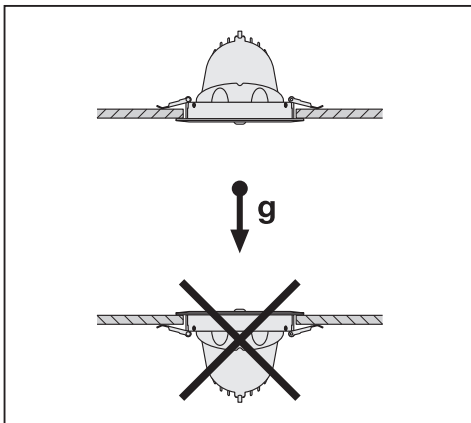
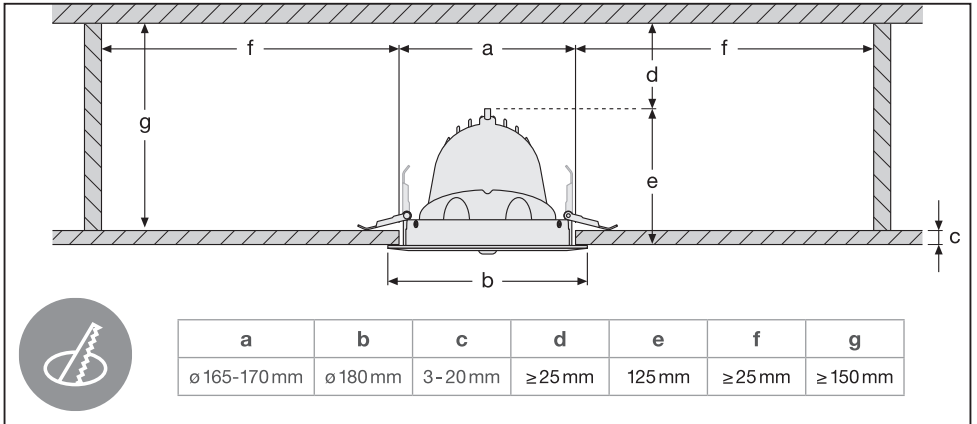
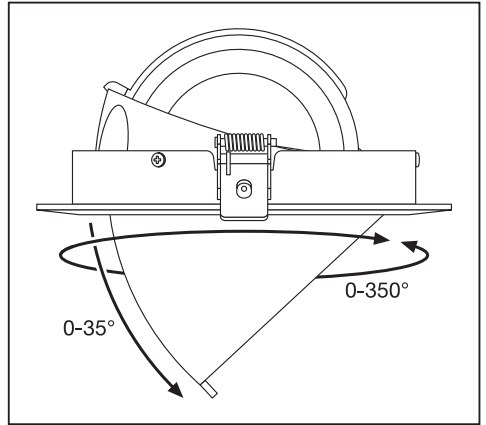
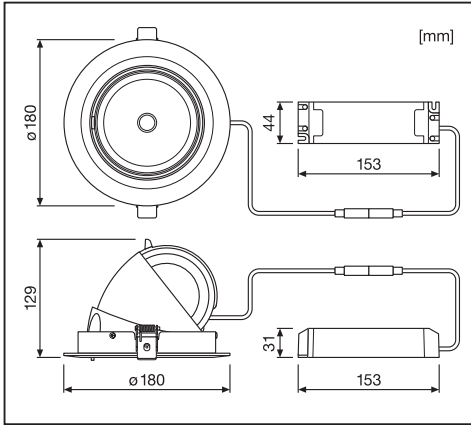
**SPOT VARIO**

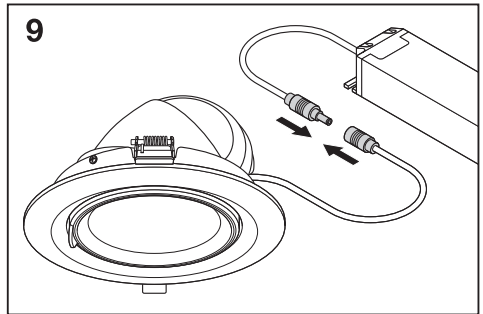
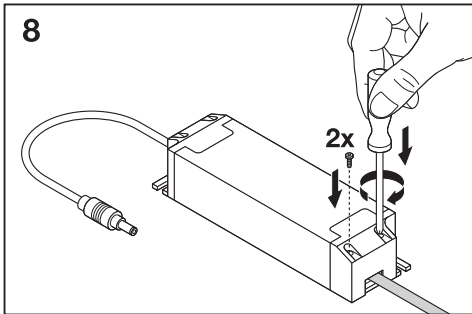
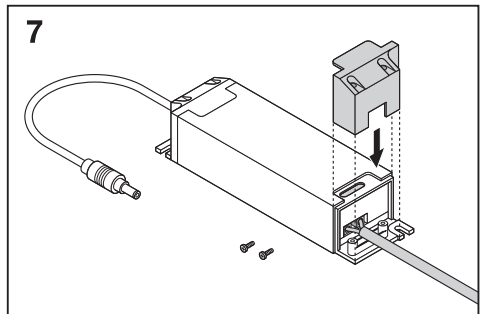
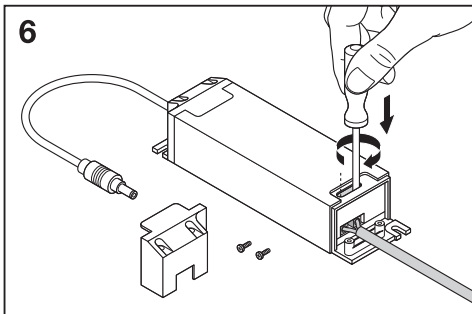
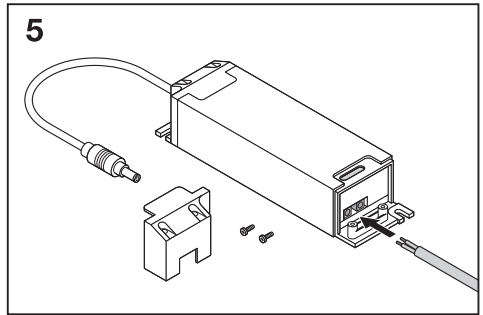
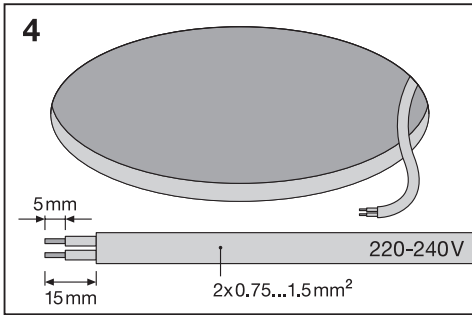
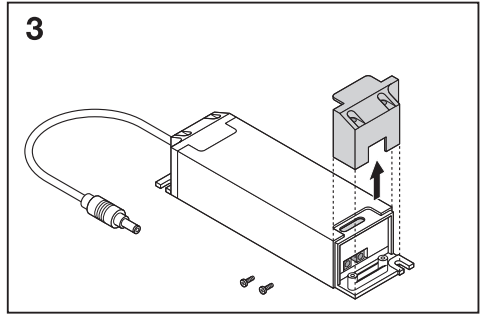
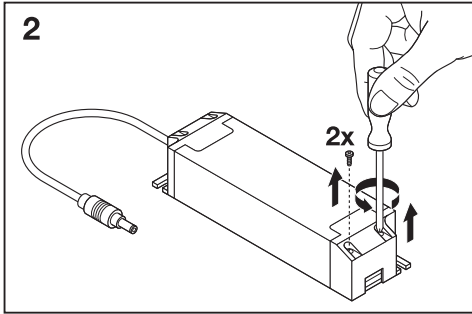

---

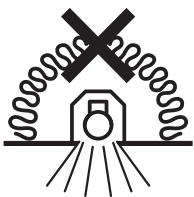
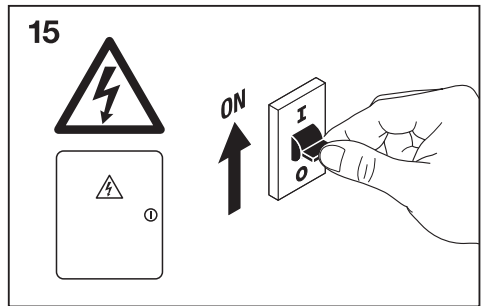
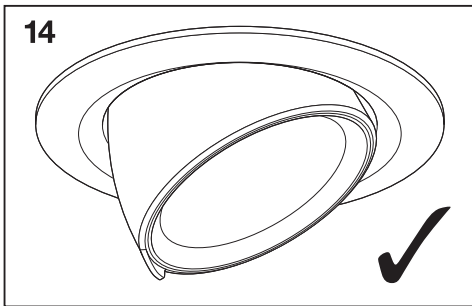
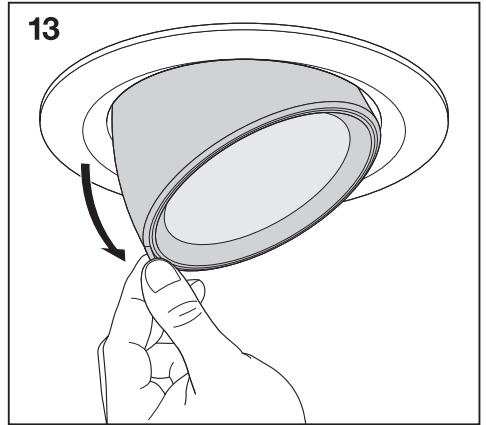
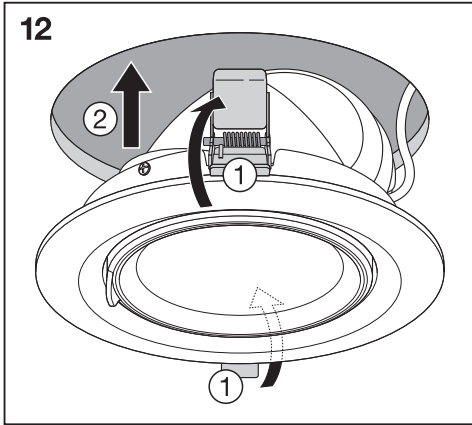
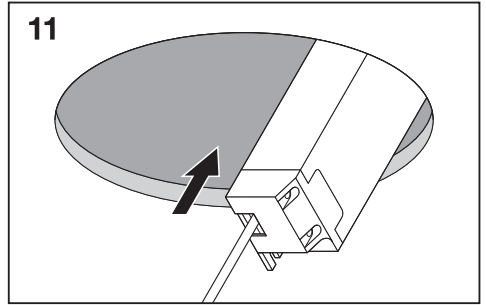
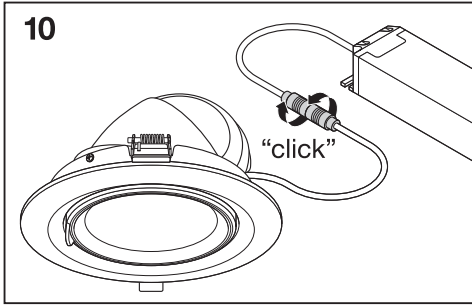


	EAN	Ø x h [mm]	W	lm	lm/W	K	IP	IK
<b>SPOT VARIO DN170</b>	4058075104020	180x129	35	3350	95	3000	20	03
<b>SPOT VARIO DN170</b>	4058075104044	180x129	35	3550	100	4000	20	03

	EAN	°(°C)	V <sub>AC</sub>	Hz	∇	PF	R <sub>a</sub>	👤
<b>SPOT VARIO DN170</b>	4058075104020	-20...+45	220-240V	50/60 Hz	24°	≥ 0.8	>80	1.1 kg
<b>SPOT VARIO DN170</b>	4058075104044	-20...+45	220-240V	50/60 Hz	24°	≥ 0.8	>80	1.1 kg







RoHS



C10449057  
G11041264  
09.04.18



LEDVANCE GmbH  
Steinerne Furt 62  
86167 Augsburg, Germany  
[www.ledvance.com](http://www.ledvance.com)