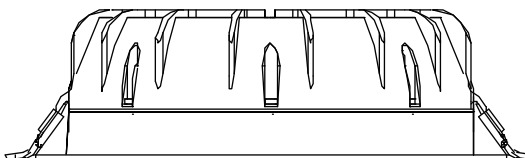
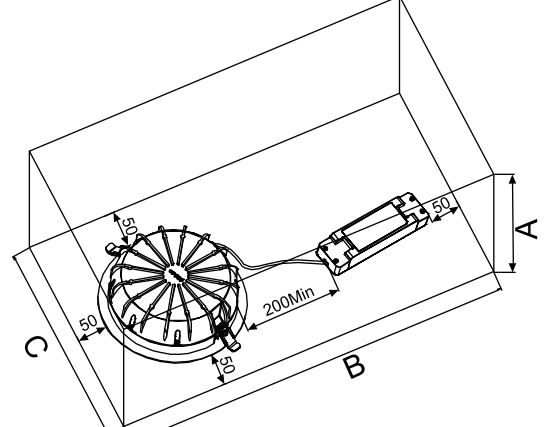
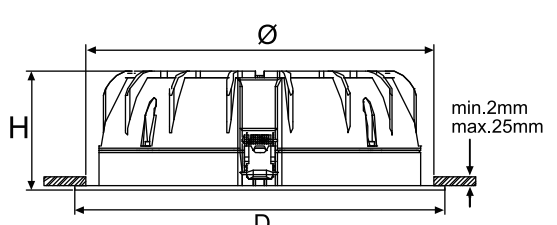


LED Downlight Performer DALI

Item Code	CCT	kg
540001084300	3000K	0.44kg
540001084400	4000K	0.44kg
540001084500	3000K	0.76kg
540001084600	4000K	0.76kg
540001084700	3000K	0.76kg
540001084800	4000K	0.76kg
540001084900	3000K	0.76kg
540001085000	4000K	0.76kg
540001086700	3000K	0.44kg
540001086800	4000K	0.44kg
540001086900	3000K	0.76kg
540001087000	4000K	0.76kg
540001087100	3000K	0.76kg
540001087200	4000K	0.76kg
540001087300	3000K	0.76kg
540001087400	4000K	0.76kg

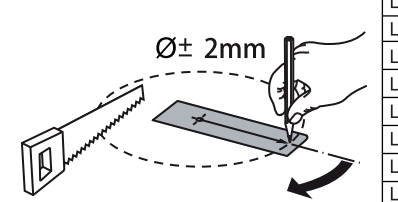



Type	A(mm)	B(mm)	C(mm)	Rated Voltage	Frequency	Rated Power
LED DL-RC-P-HG R150-11.5W DALI	83	483	265	220-240V~	50/60Hz	11.5W
LED DL-RC-P-HG R200-15W DALI	123	543	325	220-240V~	50/60Hz	15W
LED DL-RC-P-HG R200-23W DALI	123	543	325	220-240V~	50/60Hz	23W
LED DL-RC-P-HG R200-33W DALI	123	543	325	220-240V~	50/60Hz	33W
LED DL-RC-P-MW R150-11.5W DALI	83	483	265	220-240V~	50/60Hz	11.5W
LED DL-RC-P-MW R200-15W DALI	123	543	325	220-240V~	50/60Hz	15W
LED DL-RC-P-MW R200-23W DALI	123	543	325	220-240V~	50/60Hz	23W
LED DL-RC-P-MW R200-33W DALI	123	543	325	220-240V~	50/60Hz	33W



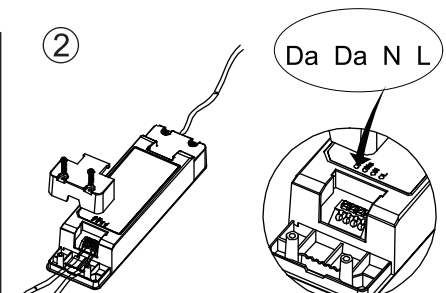
Type	H(mm)	Ø(mm)	D(mm)
LED DL-RC-P-HG R150-11.5W DALI	58	140-150	165
LED DL-RC-P-HG R200-15W DALI	73	200	225
LED DL-RC-P-HG R200-23W DALI	73	200	225
LED DL-RC-P-HG R200-33W DALI	73	200	225
LED DL-RC-P-MW R150-11.5W DALI	58	140-150	165
LED DL-RC-P-MW R200-15W DALI	73	200	225
LED DL-RC-P-MW R200-23W DALI	73	200	225
LED DL-RC-P-MW R200-33W DALI	73	200	225

①



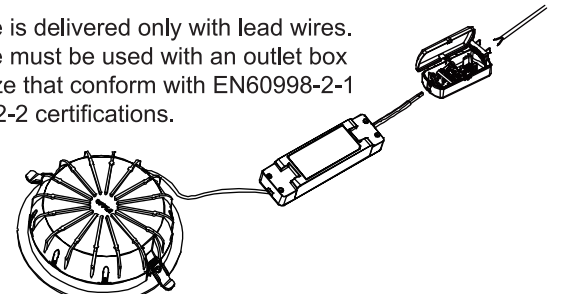
Type	Ø(mm)
LED DL-RC-P-HG R150-11.5W DALI	140-150
LED DL-RC-P-HG R200-15W DALI	200
LED DL-RC-P-HG R200-23W DALI	200
LED DL-RC-P-HG R200-33W DALI	200
LED DL-RC-P-MW R150-11.5W DALI	140-150
LED DL-RC-P-MW R200-15W DALI	200
LED DL-RC-P-MW R200-23W DALI	200
LED DL-RC-P-MW R200-33W DALI	200

②

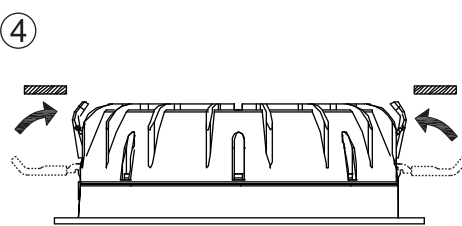


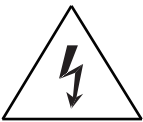
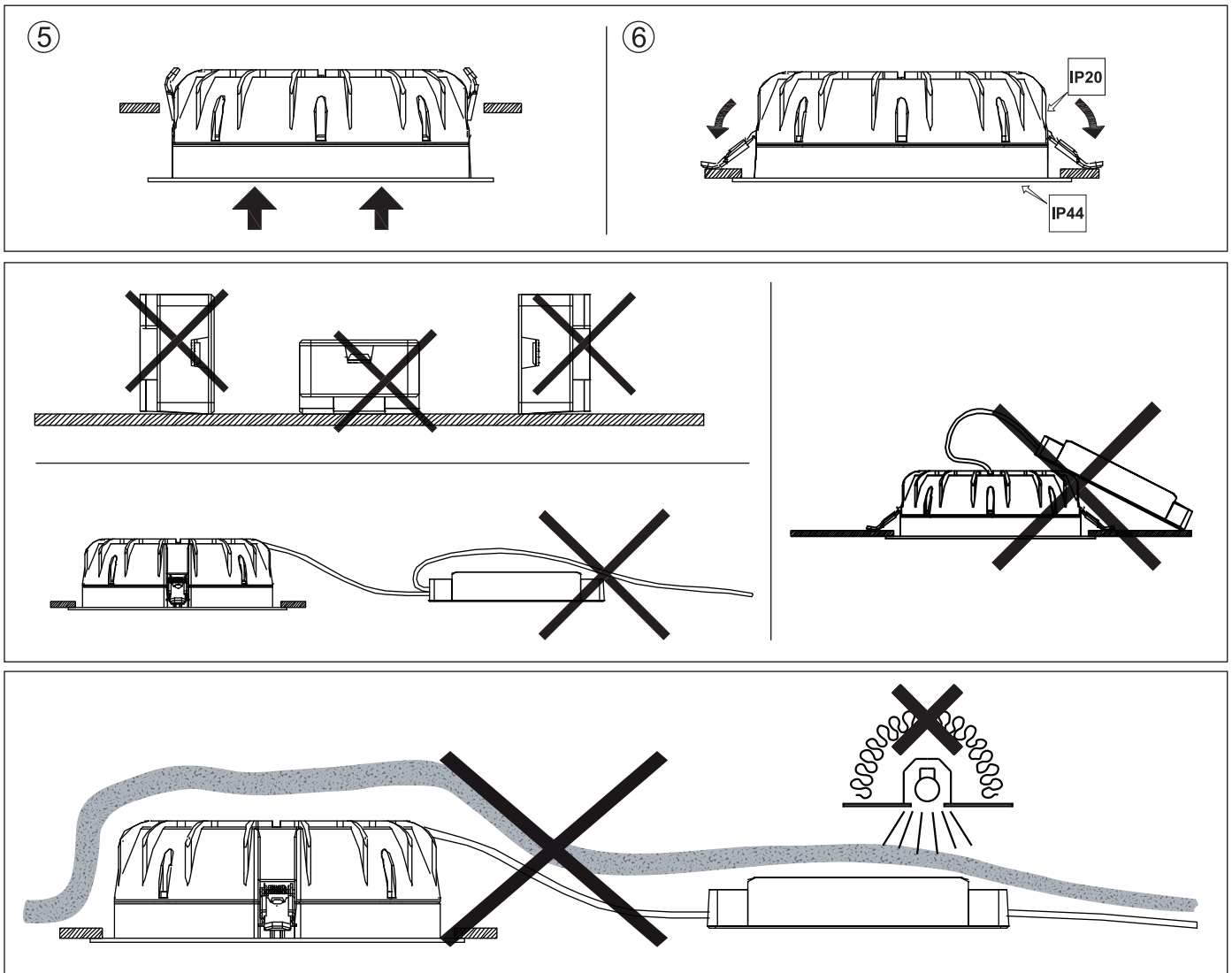
The luminaire is delivered only with lead wires. The luminaire must be used with an outlet box of suitable size that conform with EN60998-2-1 or EN60998-2-2 certifications.

③



④





For non-user replaceable light sources.

"The light source contained in this luminaire shall only be replaced by the manufacturer or his service agent or a similar qualified person."



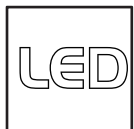
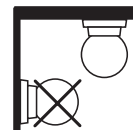
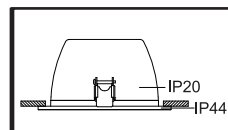
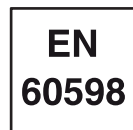
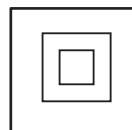
Luminaires not suitable for covering with thermally insulating material.

Leuchten sind nicht mit thermisch isolierenden Materialien abzudecken.



In case of damage to the wire, it has to be replaced only by the manufacturer, distributor or by an expert, to avoid risks.

Zur Vermeidung von Risiken müssen defekte Leitungen ausschließlich vom Hersteller, Inverkehrbringer oder Fachmann ausgetauscht werden.



Opplé Lighting Electronic (Zhongshan) Co., Ltd.
 Building A, No.275 Dongan Bei Road,
 Haizhou District,
 Guzhen Town,
 Zhongshan City,
 Guangdong, China.

OPPLE Lighting B.V.
 Materiaalweg 6-6A
 5681 RJ Best
 The Netherlands
 service@opple.com
 www.opple.com