



CorePro LEDspot LV



CorePro LEDspot 4.4-35W MR16 827 36D 5CT

CorePro LEDspots are a perfect fit for spot lighting and deliver warm halogen-like light. They are compatible with most existing fixtures with MR16 GU5.3 holders and are designed as a retrofit replacement for halogen or incandescent spots. CorePro LEDspots deliver huge energy savings and minimize maintenance cost.

Product data

| General Information | |
|--|--------------------|
| Cap-Base | GU5.3 |
| Nominal lifetime | 15,000 hour(s) |
| Switching Cycle | 50,000 |
| Lighting Technology | LED |
| Flux measurement reference | Narrow Cone |
| Light Technical | |
| Color Code | 827 [CCT of 2700K] |
| Beam Angle (Nom) | 36 degree(s) |
| Luminous Flux | 345 lm |
| Luminous Intensity (Nom) | 650 cd |
| Color Designation | Warm White (WW) |
| Correlated Color Temperature (Nom) | 2700 K |
| Luminous Efficacy (rated) (Nom) | 78.00 lm/W |
| Color Consistency | <6 |
| Color rendering index (CRI) | 80 |
| LLMF At End Of Nominal Lifetime (Nom) | 70 % |
| Luminous Flux in 90° Cone (Rated) | 345 lm |
| Photobiological safety according to EN 62471 RG1 | |
| Operating and Electrical | |
| Line Frequency | - Hz |

| Input Frequency | - Hz |
|-------------------------------|--------------------|
| Power Consumption | 4.4 W |
| Lamp Current (Nom) | 520 mA |
| Wattage Equivalent | 35 W |
| Starting Time (Nom) | 0.5 s |
| Warm-up time to 60% light | 0.5 s |
| Power Factor (Fraction) | 0.6 |
| Voltage (Nom) | ac electronic 12 V |
| Temperature | |
| T-Case Maximum (Nom) | 85 °C |
| Controls and Dimming | |
| Dimmable | No |
| Mechanical and Housing | |
| Bulb Shape | MR16 |
| Net Weight (Piece) | 0.040 kg |
| Approval and Application | |
| Energy Efficiency Class | F |
| Suitable For Accent Lighting | Yes |
| Energy Consumption kWh/1000 h | 5 kWh |

CorePro LEDspot LV

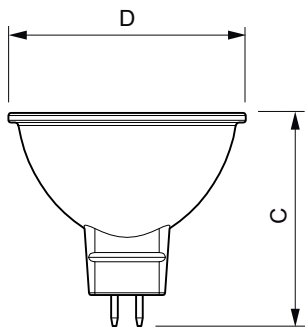
| | |
|---------------------------|--------|
| EPREL Registration Number | 421457 |
| CE mark | Yes |
| EU RoHS compliant | Yes |
| EyeComfort | Yes |

| | |
|-------------------------------------|----|
| Application Conditions | |
| can it be used in closed luminaires | No |

| | |
|---------------------|--|
| Product Data | |
| Order product name | CorePro LEDspot 4.4-35W MR16 827 36D 5CT |

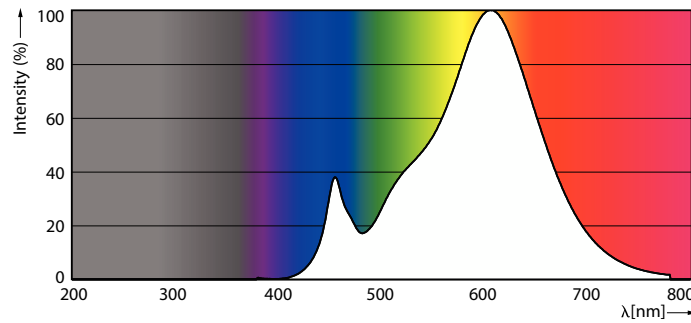
| | |
|---------------------------------|--|
| Full product name | CorePro LEDspot 4.4-35W MR16 827 36D 5CT |
| Full product code | 871951430758200 |
| Order code | 929002494652 |
| Material Nr. (12NC) | 929002494652 |
| Numerator - Quantity Per Pack | 5 |
| EAN/UPC - Product/Case | 8719514307582 |
| Numerator - Packs per outer box | 6 |
| EAN/UPC - Case | 8719514307599 |

Dimensional drawing

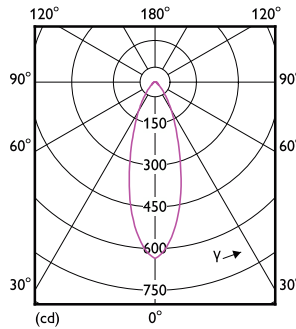


| Product | D | C |
|--|---------|---------|
| CorePro LEDspot 4.4-35W MR16 827 36D 5CT | 50.5 mm | 45.5 mm |

Photometric data



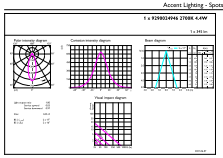
Spectral Power Distribution Colour - CorePro LEDspot 4.4-35W MR16 827 36D 5CT



Light Distribution Diagram - CorePro LEDspot 4.4-35W MR16 827 36D 5CT

CorePro LEDspot LV

Photometric data

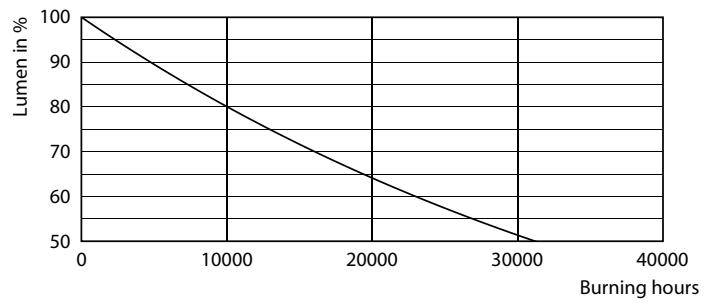


Accent Lighting Spots - CorePro LEDspot 4.4-35W MR16 827 36D 5CT

Lifetime



Life Expectancy Diagram



Lumen Maintenance Diagram - CorePro LEDspot 4.4-35W MR16 827 36D 5CT

