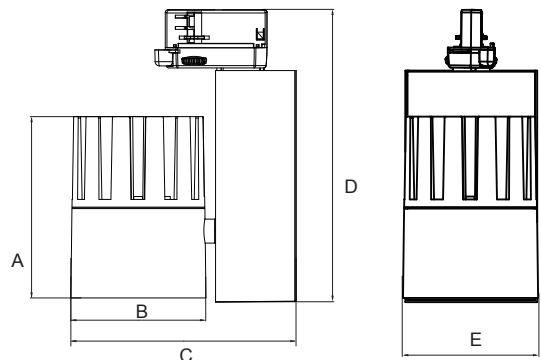


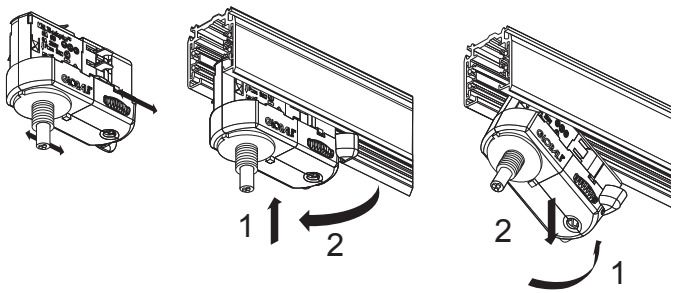
LED Spot Track Performer

Type	CCT	kg
LED SP-3C-P 30W	3000K	1.2
	3500K	1.2
	4000K	1.2
LED SP-3C-P 45W	3000K	1.6
	4000K	1.6

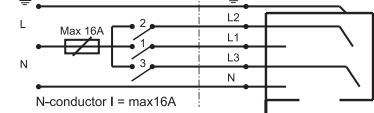
Model	A (mm)	B (mm)	C (mm)	D (mm)	E (mm)
LED SP-3C-P 30W	125	93	155	202	93
LED SP-3C-P 45W	160.5	120	182	202	120

GA69

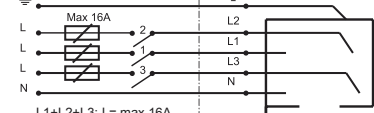


GLOBAL Trac Pro

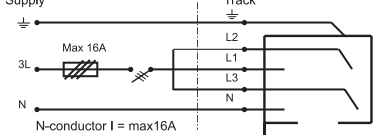
1-phase, 3-circuit 230V AC, 16A, 3.7 kVA
Supply Track



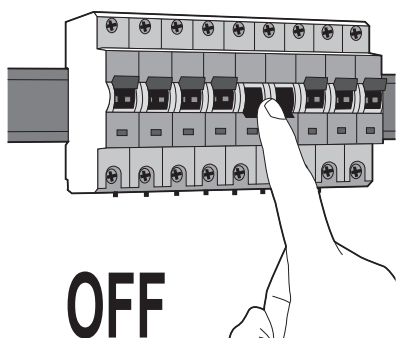
3-phase, 3-circuit 230/400V AC, 16A, 3x3.7 kVA
Supply Track



3-phase, 3-phase 230/400V AC, 16A, 11.1 kVA
Supply Track

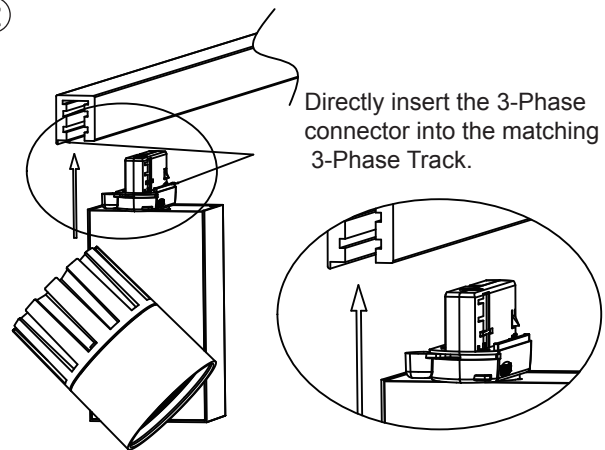


①

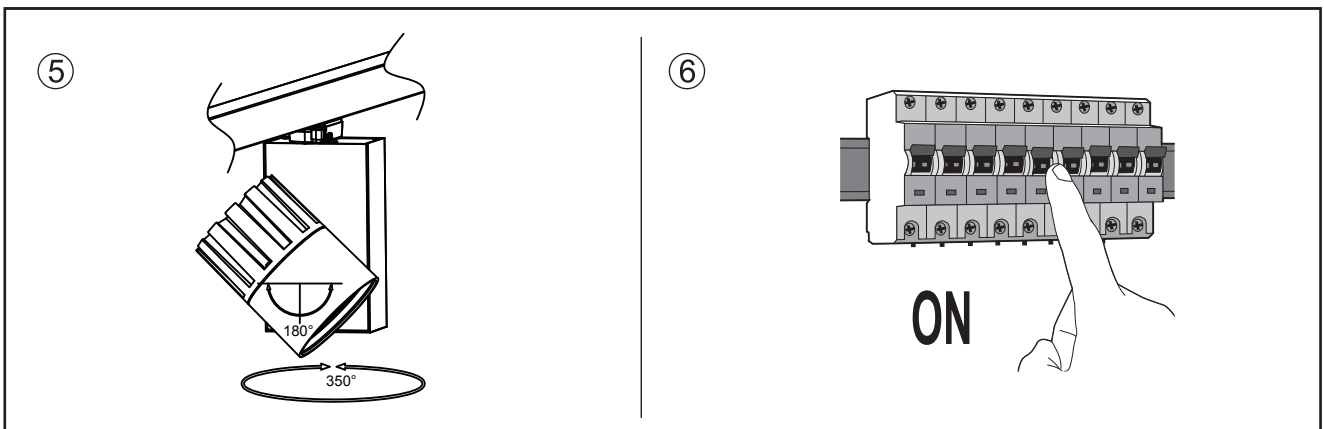
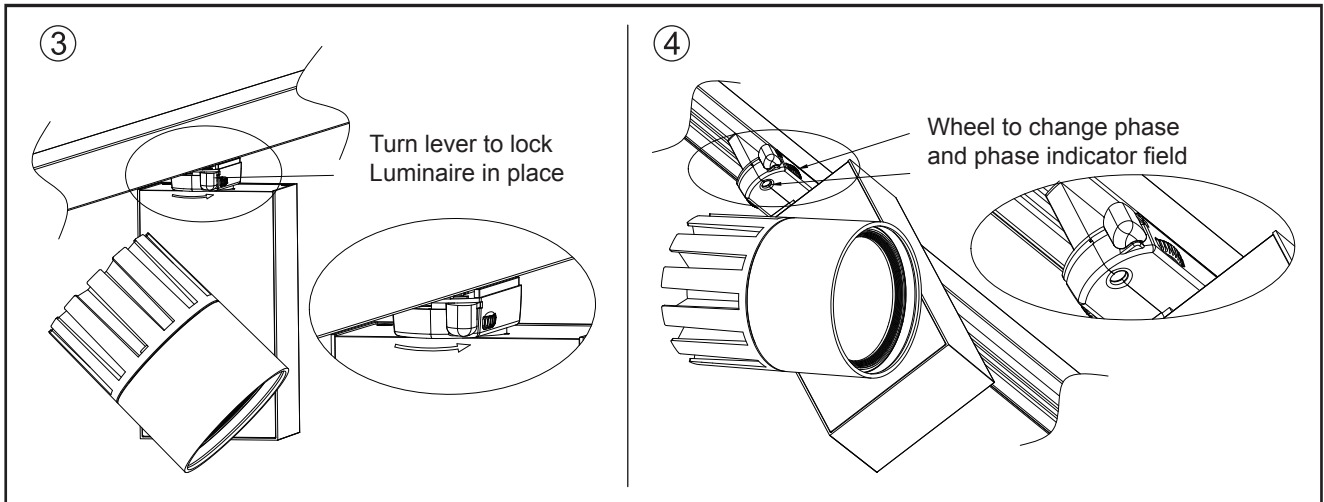


OFF

②



Directly insert the 3-Phase connector into the matching 3-Phase Track.



In case of damage to the wire, it has to be replaced only by the manufacturer, distributor or by an expert, to avoid risks.



Caution: Any operation on LED module is forbidden while power-on.

Zur Vermeidung von Risiken müssen defekte Leitungen ausschließlich vom Hersteller, Inverkehrbringer oder Fachmann ausgetauscht werden.

Achtung: In Betrieb ist keine Arbeit am LED-Modul erlaubt.



The light source of this luminaire is not replaceable; when the light source reaches its end of life the whole luminaire shall be replaced.

