



# MASTERColour CDM-Rm Elite Mini

## CDM-Rm Elite Mini 20W/830 GX10 MR16 10D

Mini, very high-efficiency Ceramic Metal Halide discharge reflector lamp producing crisp white sparkling light with high color rendering

### Warnings and Safety

- Use only with electronic control gear
- Control gear must include end-of-life protection (IEC61167, IEC 62035).
- A lamp breaking is extremely unlikely to have any impact on your health. If a lamp breaks, ventilate the room for 30 minutes and remove the parts, preferably with gloves. Put them in a sealed plastic bag and take it to your local waste facilities for recycling. Do not use a vacuum cleaner.

### Product data

Operating and Electrical		Luminous Intensity (Nom)	
Power Consumption	20.1 W		14,500 cd
Warm-up time to 60% light	120 s	Chromaticity Coordinate X (Nom)	0.434
Voltage (Nom)	95 V	Chromaticity Coordinate Y (Nom)	0.398
Voltage (Nom)	95 V	Correlated Color Temperature (Nom)	3000 K
		Luminous Efficacy (rated) (Nom)	49 lm/W
		Color rendering index (CRI)	84
		LLMF At End Of Nominal Lifetime (Nom)	70 %
		Luminous Flux in 90° Cone (Rated)	880 lumen
General Information		Controls and Dimming	
Cap-Base	GX10 [GX10]	Dimmable	No
Operating Position	UNIVERSAL [Any or Universal (U)]		
Switching Cycle	1,350		
Flux measurement reference	Narrow Cone		
Light Technical		Mechanical and Housing	
Color Code	830 [CCT of 3000K]	Bulb Shape	MR16 [2inch/50mm]
Beam Angle (Nom)	10 degree(s)		
Luminous Flux	880 lumen		

# MASTERCLOUR CDM-Rm Elite Mini

## Approval and Application

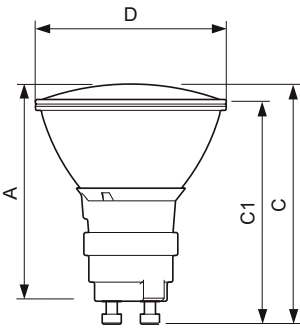
Mercury (Hg) Content (Max)	3.5 mg
Mercury (Hg) Content (Nom)	3.5 mg
Energy Consumption kWh/1000 h	21 kWh
EPREL Registration Number	473,266

## Product Data

Full product code	871829120274500
Order product name	CDM-Rm Elite Mini 20W/830 GX10 MR16 10D

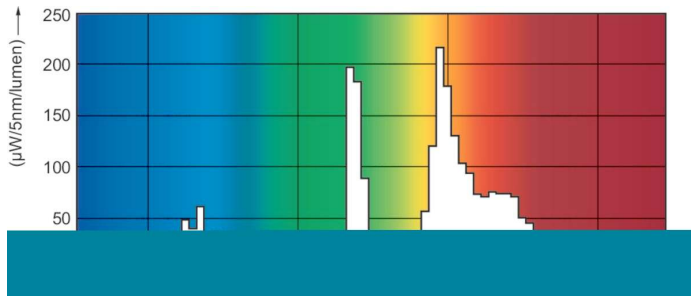
Order code	928191005331
Numerator - Quantity Per Pack	1
Numerator - Packs per outer box	12
Material number (12NC)	928191005331
Full product name	CDM-Rm Elite Mini 20W/830 GX10 MR16 10D
EAN/UPC - Case	8718291202752

## Dimensional drawing

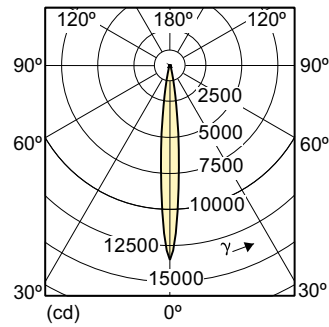


Product	D (max)	D	C (max)	C	C1 (max)	A (max)
CDM-Rm Elite Mini 20W/830 GX10 MR16 10D	51 mm	50 mm	65.4 mm	62.75 mm	60.9 mm	59 mm

## Photometric data



Spectral Power Distribution Colour - CDM-Rm Elite Mini 20W/830 GX10 MR16 10D



Light Distribution Diagram - CDM-Rm Elite Mini 20W/830 GX10 MR16 10D

# MASTERCcolour CDM-Rm Elite Mini

## Lifetime



Life Expectancy Diagram - CDM-Rm Elite Mini 20W/830 GX10 MR16 10D

Lumen Maintenance Diagram - CDM-Rm Elite Mini 20W/830 GX10 MR16 10D

