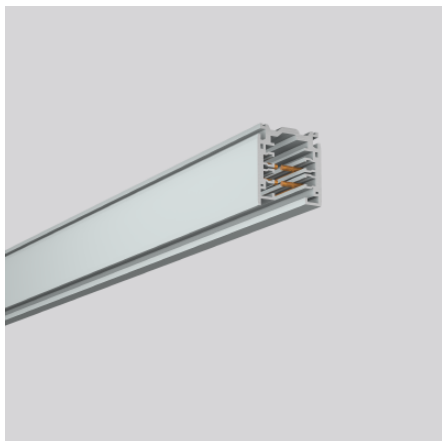


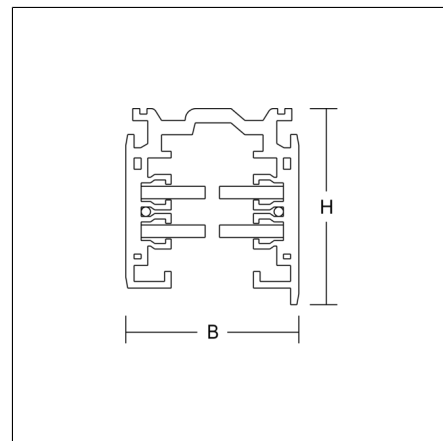
3-circuit DALI tracks

701100.009 | Circuit tracks



Tracks
4051859039815
L 4000, B 32, H 36

Ceiling mounting
window grey (RAL 7040)



Aluminium extrusion profile painted, tracks can be cut to any required length, may be used within hand's reach, with integrated additional 2-pole DALI cable, supply cable 16A / 400V, control cable DALI 2x1A / 50V FELV AC.

Product specifications

Length L	4000 mm
Width B	32 mm
Height H	36 mm
Weight	3.6 kg
Voltage	0 - 250 V
Type of protection	IP 20
Protection class	I
Conformity mark	EAC