



MASTER VALUE LEDs pot LV

MAS LED spot VLE D 5.8-35W MR16 930 36D

Philips MASTER VALUE MR16 is the series of Low Voltage (12VAC) Halogen MR16 replacements. Not only does it employ Philips' patented solution to guarantee the broadest possible compatibility with standard 12V Halogen electronic transformers. It also delivers beam intensity which is equivalent to the 50W Philips Halogen MR16 lamps. The form-factor of Philips MASTER Value LED MR16 guarantees a 100% form on the back-side of the lamp (exact form with Halogen lamps.)

Warnings and Safety

- Operating temperature range is between -20° C and 45° C ambient
- Only to apply in dry or damp locations and most of open fixtures with lamp-holders that offer sufficient space (10 mm free air space)
- Not intended for use with emergency light fixtures or exit lights

Product data

General Information	
Cap-Base	GU5.3 [GU5.3]
Nominal lifetime	25,000 hour(s)
Switching Cycle	50,000
Lighting Technology	LED
Flux measurement reference	Narrow Cone

Light Technical	
Color Code	930 [CCT of 3000K]
Beam Angle (Nom)	36 degree(s)
Luminous Flux	460 lumen
Luminous Intensity (Nom)	1.300 cd
Color Designation	White (WH)

Correlated Color Temperature (Nom)	3000 K
Luminous Efficacy (rated) (Nom)	79 lm/W
Color Consistency	<6
Color rendering index (CRI)	90
LLMF At End Of Nominal Lifetime (Nom)	70 %
Luminous Flux in 90° Cone (Rated)	460 lumen

Operating and Electrical	
Line Frequency	- Hz
Input Frequency	- Hz
Power Consumption	5.8 W
Lamp Current (Nom)	510 mA
Wattage Equivalent	35 W

MASTER VALUE LEDspot LV

Starting Time (Nom)	0.5 s
Warm-up time to 60% light	0.5 s
Power Factor (Fraction)	0.7
Voltage (Nom)	ac electronic 12 V

Temperature	
T-Case Maximum (Nom)	85 °C

Controls and Dimming	
Dimmable	Only with specific dimmers

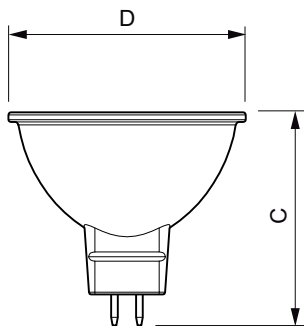
Mechanical and Housing	
Bulb Shape	MR16 [2inch/50mm]

Approval and Application	
Suitable For Accent Lighting	Yes

Energy Consumption kWh/1000 h	6 kWh
EPREL Registration Number	453,174
CE mark	Yes
EU RoHS compliant	Yes

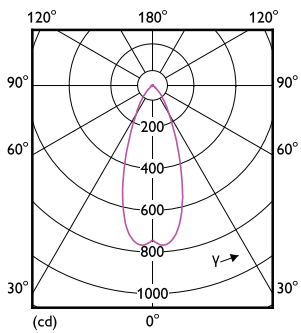
Product Data	
Full product code	871951430720900
Order product name	MAS LED spot VLE D 5.8-35W MR16 930 36D
Order code	929002492602
Numerator - Quantity Per Pack	1
Numerator - Packs per outer box	10
Material number (12NC)	929002492602
Full product name	MAS LED spot VLE D 5.8-35W MR16 930 36D
EAN/UPC - Case	8719514307216

Dimensional drawing

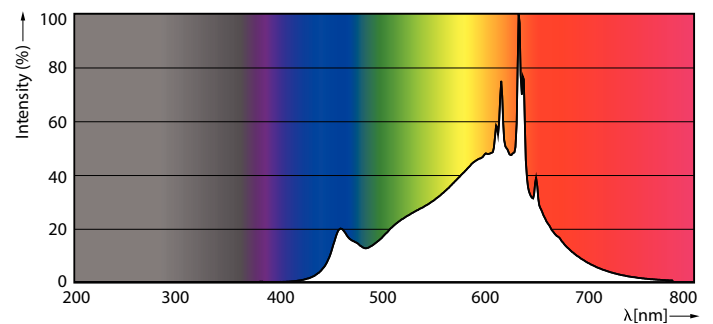


Product	D	C
MAS LED spot VLE D 5.8-35W MR16 930 36D	50.5 mm	45.5 mm

Photometric data



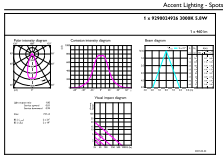
Light Distribution Diagram - MAS LED spot VLE D 5.8-35W MR16 930 36D



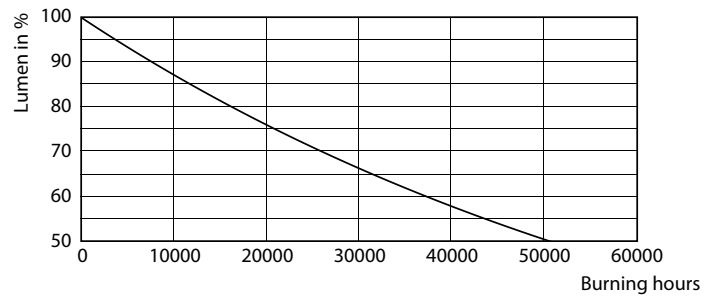
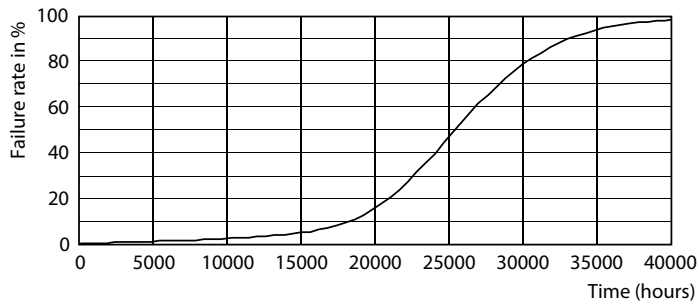
Spectral Power Distribution Colour - MAS LED spot VLE D 5.8-35W MR16 930 36D

MASTER VALUE LEDspot LV

Photometric data



Lifetime



Life Expectancy Diagram - MAS LED spot VLE D 5.8-35W MR16 930 36D

Lumen Maintenance Diagram - MAS LED spot VLE D 5.8-35W MR16 930 36D

