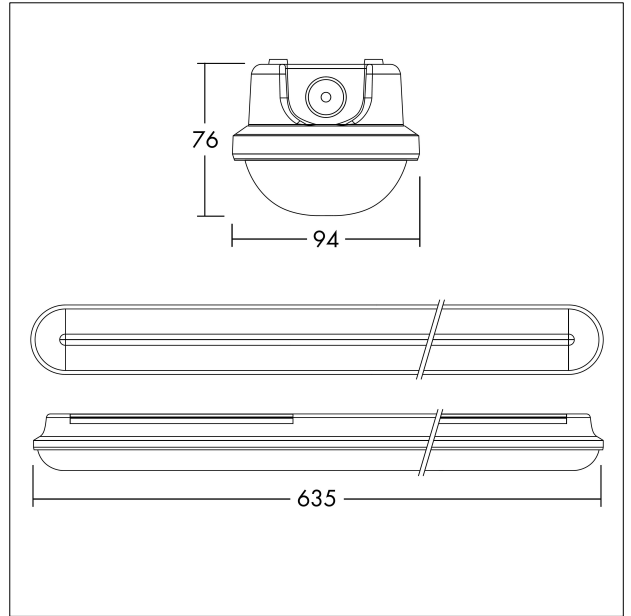


IP65 Moisture-proof diffuser luminaire

IP65 DALI LED Moisture proof luminaire with opal diffuser for indoor and covered outdoor installation. Innovative design with extra long bracket sliders (200 mm) for ease of installation making it an ideal refurbishment luminaire. Made of high quality polycarbonate (UV stabilised), the design is streamlined and clip free, whilst still providing easy but secure access to the driver. Total luminous flux: 2200 lm, CCT: 4000K, Lifetime: 50.000hrs @L80, Colour Rendering: CRI > 80, Chromaticity tolerance (initial MacAdam): 4, Impact strength: IK08. Tool-free installation, BESA compatible. DALI driver offering dimming range x to 100% via DALI-2 and switchDIM. DC level adjustable. Mains frequency 0/50/60 Hz. Suitable for emergency escape lighting systems acc. to EN 50172. Available accessories: Suspension kit. Dimensions: 635 x 94 x 76 mm, weight: 0.85 kg.



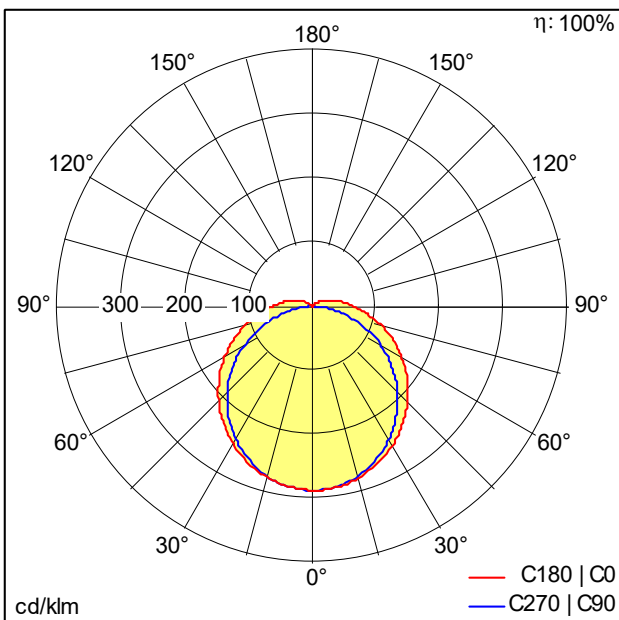
TE_JULIEF_F_PERSP_ON.jpg



TE_JULIEF_M_600.wmf

Light Distribution

STD - standard



TE_JULIE_FLEX_600_2200_840_FLEX1.idt

- Light Source: LED
- Luminaire luminous flux*: 2200 lm
- Colour Rendering Index min.: 80
- Correlated colour temperature*: 4000 Kelvin
- Chromaticity tolerance (initial MacAdam): 4
- Rated median useful life*: L80 50000 h at 25 °C
- Ballast: 1x LED_Con
- Dimming: HFIX dimmable to 1%
- Maintenance category CIE 97: E - Dust-proof IP5X
- Total harmonic distortion (THD): 10.00 %

This product contains a light source of energy efficiency class D.

All values marked with an * are rated values. Connected electrical load and luminous flux are subject to an initial tolerance of +/- 10%, the most similar colour temperature is subject to an initial tolerance of +/- 150K. Unless stated otherwise, the values apply to an ambient temperature of 25°C.