

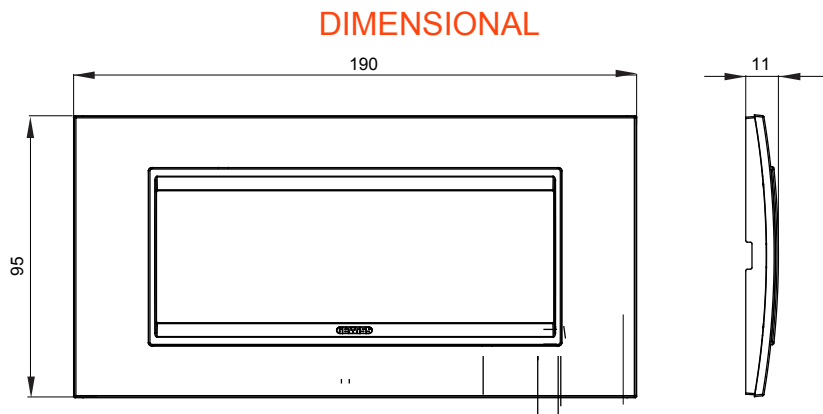
# Product Data Sheet

## GW16206XA

CHORUSMART - Domestic range

Range of ChoruSmart domestic series plates, made in a wide variety of shapes, colours, materials and finishes. It includes five different shapes (ONE, GEO, EGO, LUX, ICE and ICE Touch) for rectangular boxes with a capacity of up to 12 modules and three different shapes (ONE International, GEO International and LUX International) suitable for round/square boxes, both single and combined in horizontal or vertical configurations, with a capacity of 2 up to 2+2+2+2 modules. All ChoruSmart domestic series plates use the same supports, without the need for additional adapters. The range also includes blank plates, watertight IP55 plates and contour plates.

|                |                     |                           |           |
|----------------|---------------------|---------------------------|-----------|
| Family         | LUX                 | Description               | 6 modules |
| Colour         | Aluminum monochrome | Material                  | Metal     |
| Finishing      | Opaque finish       | For support codes         | GW16806   |
| Glow wire test | 650 °C              | Thermo-pressure with ball | 70 °C     |
| Standard       | EN 60669-1          | Electrocod                | 0110      |



### TECHNICAL SYMBOLOGY

**GWT**



650 °C

70 °C

### STANDARDS/APPROVALS

