

# Product Data Sheet

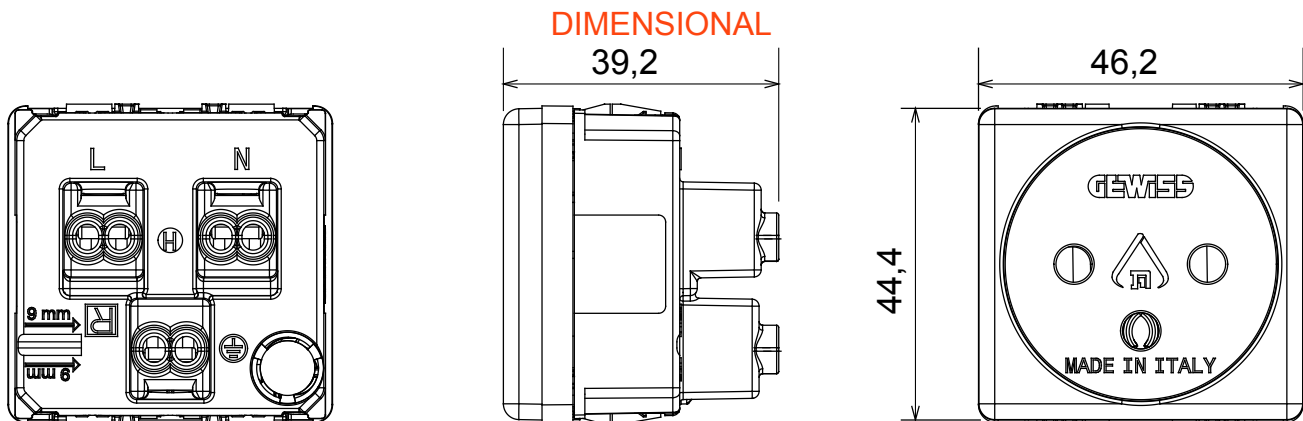
## GW21220

SYSTEM BLACK - Domestic range



The System modular devices allow the creation of an infinite combination of devices and plates, thanks to a complete range that covers all design, functional and installation needs. Colours and finishes: bright and versatile glossy white, and elegant and classy satin black. Ideal for flush-mounted solutions (for rectangular or square boxes), surface-mounted solutions and special applications. The range includes control units, socket-outlets, breakers, indicators, connectors and devices for the control, safety and comfort of the home.

Category	Socket-Outlet	Colour	Black
Standard	Israeli	No. SYSTEM modules	2
For plug pins	Round Ø 4 / 4.4 mm	Description	2P+E - 16A
Wiring terminals	Screw-on terminals	Voltage	250 V ac
Electrocod	0131	Standard	IEC 60884-1; SI 32 part 1.1



### STANDARDS/APPROVALS

