



# CoreLine Recessed Spot

## RS140B LED12-36-/830 PSR PI6 ALU

36 ° - 830 warm white - Power supply unit regulating - Push-in connector 6-pole - Aluminum

CoreLine Recessed Spot delivers on the CoreLine promise of innovative, easy to use and high-quality luminaires. CoreLine Recessed Spot is a recessed spot range designed to replace halogen-based luminaires. Its halogen-like look and attractive price make it easier for customers to make the switch to LED. This product provides a natural lighting effect for accent lighting applications, as well as instant energy savings and much longer lifetime – an environmentally friendly solution. With the push-in connectors, installation is fast and straightforward.

### Product data

General information		Flammability mark	For mounting on normally flammable surfaces
Beam angle of light source	36 °	CE mark	CE mark
Light source color	830 warm white	ENEC mark	-
Light source replaceable	No	Warranty period	5 years
Number of gear units	1 unit	Remarks	*-Per Lighting Europe guidance paper "Evaluating performance of LED based luminaires - January 2018": statistically there is no relevant difference in lumen maintenance between B50 and for example B10. Therefore, the median useful life (B50) value also represents the B10 value.
Driver/power unit/transformer	Power supply unit regulating	Constant light output	No
Driver included	Yes		
Optic type	Beam angle 36°		
Luminaire light beam spread	36°		
Control interface	Analog		
Connection	Push-in connector 6-pole		
Cable	-		
Protection class IEC	Safety class II		
Glow-wire test	Temperature 650 °C, duration 30 s		

# CoreLine Recessed Spot

Number of products on MCB of 16 A type B	40
EU RoHS compliant	Yes
Unified glare rating CEN	22

## Operating and electrical

Input Voltage	220 to 240 V
Input Frequency	50 to 60 Hz
Inrush current	7 A
Inrush time	500 ms
Power Factor (Min)	0.9

## Controls and dimming

Dimmable	Yes
----------	-----

## Mechanical and housing

Housing Material	Aluminum die cast
Reflector material	Polycarbonate
Optic material	Polycarbonate
Optical cover/lens material	Polycarbonate
Fixation material	Stainless steel
Optical cover/lens finish	Clear
Overall height	59.5 mm
Overall diameter	95 mm
Color	Aluminum
Dimensions (Height x Width x Depth)	60 x NaN x NaN mm

## Approval and application

Ingress protection code	IP65 [ Dust penetration-protected, jet-proof]
Mech. impact protection code	IK02 [ 0.2 J standard]
Sustainability rating	-

## Initial performance (IEC compliant)

Initial luminous flux (system flux)	1200 lm
-------------------------------------	---------

Luminous flux tolerance	+/-10%
Initial LED luminaire efficacy	82 lm/W
Init. Corr. Color Temperature	3000 K
Init. Color Rendering Index	85
Initial chromaticity	(0.43, 0.40) SDCM <5
Initial input power	15 W
Power consumption tolerance	+/-10%

## Over time performance (IEC compliant)

Control gear failure rate at median useful life 50000 h	5 %
Lumen maintenance at median useful life* L70	50000 h

## Application conditions

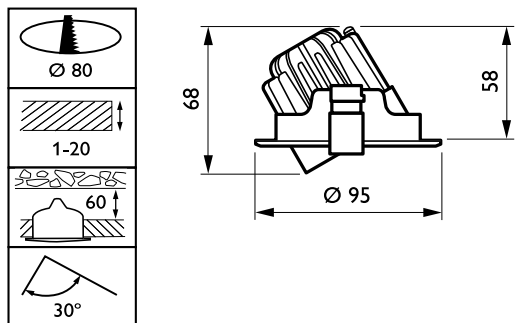
Ambient temperature range	0 to +35 °C
Performance ambient temperature Tq	25 °C
Maximum dim level	10%
Suitable for random switching	Yes

## Product data

Full product code	871869938423499
Order product name	RS140B LED12-36-/830 PSR PI6 ALU
EAN/UPC - Product	8718699384234
Order code	912401483053
Numerator - Quantity Per Pack	1
Numerator - Packs per outer box	18
Material Nr. (12NC)	912401483053
Net Weight (Piece)	0.520 kg



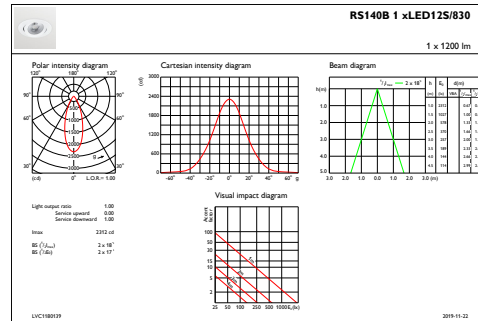
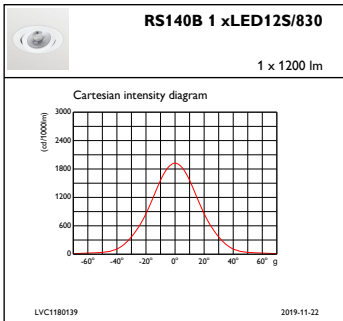
## Dimensional drawing



RS140B LED12-36-/830 PSR PI6 ALU

# CoreLine Recessed Spot

## Photometric data



IFCC1\_RS140B1xLED12S830

IFAS1\_RS140B1xLED12S830

