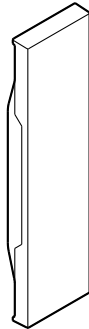
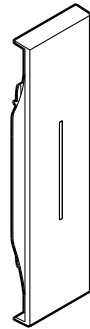


LIVING
NOW**Fixed and movable covers**

K.00



K.01

1. USE

Fixed and movable covers Living Now.

Colours code:

 KW:White KG:Black KM:Sand KV:Green KR:Red**2. RANGE**

KW-KM-KG00	L.NOW - blank pole cover 1 mod
KW-KM-KG00M2	L.NOW - blank pole cover 2 mod
KW-KM-KG01	L.NOW - switch cover 1 mod
KW-KM-KG01A	L.NOW - switch cover LIGHT 1 mod
KW-KM-KG01D	L.NOW - switch cover BELL 1 mod
KW-KM-KG01F	L.NOW - switch cover KEY 1 mod
KW-KM-KG01M2	L.NOW - switch cover 2 mod
KW-KM-KG01M2A	L.NOW - switch cover LIGHT 2 mod
KW-KM-KG01M2D	L.NOW - switch cover BELL 2 mod
KW-KM-KG01M2F	L.NOW - switch cover KEY 2 mod
KW-KM-KG01M2PN	L.NOW - switch cover HEATING 2 mod
KW-KM-KG01M2RN	L.NOW - switch cover FAN 2 mod
KW-KM-KG01M2SN	L.NOW - switch cover BOILER 2 mod
KW-KM-KG01M2X	L.NOW - switch cover Jolly 2 mod
KW-KM-KG01PN	L.NOW - switch cover HEATING 1mod
KW-KM-KG01RN	L.NOW - switch cover FAN 1 mod
KW-KM-KG01SN	L.NOW - switch cover BOILER 1 mod
KW-KM-KG01X	L.NOW - switch cover Jolly 1 mod
KW-KM-KG-KR02	L.NOW - socket cover ITA 10/16A 1 mod
KW-KM-KG-KR03	L.NOW - socket cover IT/GER 2 mod
KW-KM-KG03M3	L.NOW - socket cover IT/GER 3 mod
KW-KM-KG-KR-KV04	L.NOW - socket cover FRA/GER 2 mod
KW-KM-KG04M3	L.NOW - socket cover FRA/GER 3 mod
KW-KM-KG04P	L.NOW - socket cover FRA/GER hatch 2 mod
KW-KM-KG05	L.NOW - shutter cover 1 mod
KW-KM-KG05L	L.NOW - double push button cover 1 mod
KW-KM-KG05M2	L.NOW - double push button cover 2 mod
KW-KM-KG05M2V	L.NOW - double push button V cover 1 mod

2. RANGE (continued)

KW-KM-KG05M2VM	L.NOW - fan controller cover 2 mod
KW-KM-KG05V	L.NOW - shutter V cover 1 mod
KW-KM-KG06	L.NOW - shutter COMM cover 1 mod
KW-KM-KG06H	L.NOW - shutter COMM hotel cover 1 mod
KW-KM-KG06M2	L.NOW - shutter controller COM cover 2 mod
KW-KM-KG06M2V	L.NOW - shutter controller COM V cover 2 mod
KW-KM-KG06M2VMC	L.NOW - fan controller COM cover 2 mod
KW-KM-KG06V	L.NOW - shutter COMM V cover 1 mod
KW-KM-KG08	L.NOW - TV cover 1 mod
KW-KM-KG08M2	L.NOW - TV cover 2 mod
KW-KM-KG09	L.NOW -TV -SAT cover 1 mod
KW-KM-KG10C	L.NOW - USB CHARGER cover 1 mod
KW-KM-KG10P	L.NOW - USB DATA cover 1 mod
KW-KM-KG11H	L.NOW - COMM cover Hotel 1 mod
KW-KM-KG12C	L.NOW - USB CHARGER cover 2 mod
KW-KM-KG13M2	L.NOW - OPTIC fiber cover 2 mod
KW-KM-KG14	L.NOW - HDMI cover 1 mod
KW-KM-KG15	L.NOW - RING-BELL cover 1 mod
KW-KM-KG15M2	L.NOW - RING-BELL cover 2mod
KW-KM-KG16	L.NOW - IR cover 1 mod
KW-KM-KG17	L.NOW - IR cover 2 mod
KW-KM-KG17SL	L.NOW - IR cover with switch 2 mod
KW-KM-KG19	L.NOW - Dimmer cover 2 mod
KW-KM-KG20	L.NOW - RJ Israel cover 1 mod
KW-KM-KG22	L.NOW - BADGE cover 3 mod
KW-KM-KG22M2	L.NOW - BADGE cover 2 mod
KW-KM-KG25M2	L.NOW - double TV cover 2 mod
KW-KM-KG26M2	L.NOW - triple TV cover 2 mod
KW-KM-KG30M2	L.NOW - GTW cover 2 mod
KW-KM-KG31	L.NOW - socket module C cover 1 mod
KW-KM-KG32	L.NOW - shutter module C cover 1 mod
KW-KM-KG32M2	L.NOW - shutter module C cover 2 mod
KW-KM-KG33	L.NOW - dimmer cover C 1 mod (eliminated)
KW-KM-KG33M2	L.NOW - dimmer cover C 2 mod
KW-KM-KG34M2	L.NOW- Socket GER cover C 2 mod
KW-KM-KG35M2	L.NOW- Socket FRA cover C 2 mod
KW-KM-KG36M2	L.NOW- Wireless 2 switches cover
KW-KM-KG37M2	L.NOW-Wireless 4 scenario cover
KW-KM-KG38M2	L.NOW-Wireless VMC cover
KW-KM-KG40M2	L.NOW - Wireless home&away cover
KW-KM-KG41M2	L.NOW - Wireless sleep&wake-up cover
KW-KM-KG42M2	L.NOW - Wireless switch cover
KW-KM-KG43M2	L.NOW - Wireless shutter cover

Fixed and movable covers

2. RANGE (continued)

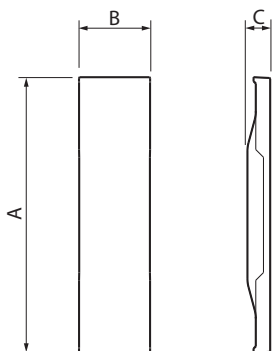
KW-KM-KG51	L.NOW - socket cover US-EU/US 2 mod
KW-KM-KG52	L.NOW - socket cover US-EU/US 3 mod
KW-KM-KG-KR-KV55	L.NOW - socket cover FRA 2 mod
KW-KM-KG-KR-KV55F	L.NOW - socket flat cover FRA 2 mod
KW-KM-KG55M3	L.NOW - socket cover FRA 3 mod
KW-KM-KG55M3F	L.NOW - socket flat cover FRA 2 mod
KW-KM-KG55P	L.NOW - socket cover FRA hatch 2 mod
KW-KM-KG56	L.NOW - Univer. socket cover India 2 mod
KW-KM-KG57	L.NOW - socket 6/16 cover India 2 mod
KW-KM-KG59	L.NOW - socket Multi STD cover 2 mod
KW-KM-KG62	L.NOW - socket cover GER+USB 2 mod
KW-KM-KG63	L.NOW - socket cover FRA+USB 2 mod
KW-KG67	L.NOW - socket cover SGPO 2 mod
KW-KG69	L.NOW - socket cover DGPO 4 mod
KW-KM-KG71	L.NOW - step light cover 2 mod
KW-KM-K07	L.NOW - RJ11/45 cover 1 mod
KW-KM-KG07K	L.NOW - RJ45 Keystone cover 1 mod
KW-KM-K07M2	L.NOW - RJ11/45 cover 2 mod
KW-KG81	L.NOW - socket 2P+T cover China 2 mod
KW-KG89	L.NOW - socket 5P mix cover China 2 mod
KW-KG90	L.NOW - socket 2P cover China 1 mod
KW-KM-KG24	L.NOW - transponder cover 1 mod
KW-KM-KG4275	L.NOW - Ksenia cover 2 mod
KW-KM-KG01GEN	L.NOW - cover GEN out 1 mod

KW-KM-KG05MH2	L.NOW - shutter MyHome 2 mod
KW-KM-KG06MH	L.NOW - STOP MyHome 1 mod
KW-KM-KG01MHAG	L.NOW - switch MyHome 1 mod
KW-KM-KG01MHGEN	L.NOW - switch GEN MyHome 1 mod
KW-KM-KG01MHBAC	L.NOW - switch BACK MyHome 1 mod
KW-KM-KG01MHBED	L.NOW - switch BED MyHome 1 mod
KW-KM-KG01MH2	L.NOW - switch MyHome 2 mod
KW-KM-KG01MH2AG	L.NOW - switch ON/OFF MyHome 2 mod
KW-KM-KG01MH2A	L.NOW - switch LIGHT MyHome 2 mod
KW-KM-KG01MH2D	L.NOW - switch BELL MyHome 2 mod
KW-KM-KG01MH2F	L.NOW - switch KEY MyHome 2 mod
KW-KM-KG01MH2GEN	L.NOW - switch GEN MyHome 2 mod
KW-KM-KG01MH2BACK	L.NOW - switch BACK MyHome 2 mod
KW-KM-KG01MH2BED	L.NOW - switch BED MyHome 2 mod
KW-KM-KG01MH2X	L.NOW - switch Jolly MyHome 2 mod
KW-KM-KG19MH	L.NOW - switch dimmer MyHome 1 mod
KW-KM-KG19MH2	L.NOW - switch dimmer MyHome 2 mod

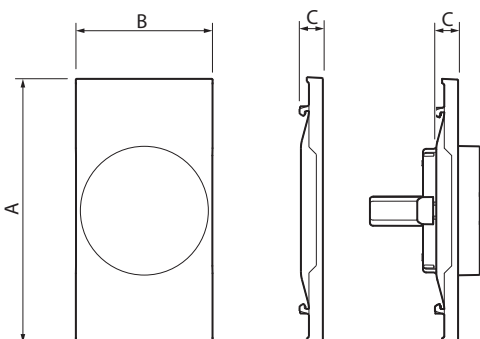
Fixed and movable covers

3. OVERALL DIMENSIONS (mm)

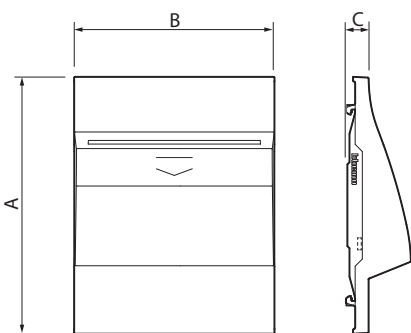
■ Cover 1 module -



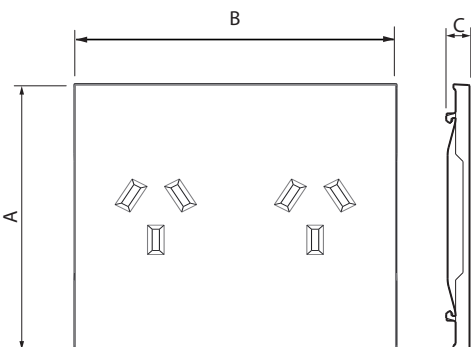
■ Cover 2 modules -



■ Cover 3 modules -



■ Cover 4 modules -



4. TECHNICAL CHARACTERISTICS

■ 4.1 Mechanical characteristics

Impact test: IK 04

■ 4.2 Material characteristics

Halogen-free

UV resistant

Self-extinguishing:

650°C/30 s for the other insulating components.

■ 4.3 Climatic characteristics

Storage temperature: - 10°C to + 70°C

Use temperature: - 5°C to + 50°C

5. CLEANING

Surface cleaning with a cloth.

Do not use: acetone, tar remover, trichloroethylene.

Caution: A preliminary test should be carried out if other specific cleaning products are to be used.

Cover	A	B	C
1 M	86	22	7
2 M	86	45	7
3 M	86	67	7
4 M	86	89	7