

PHILIPS

Solar Floodlight

BVP085

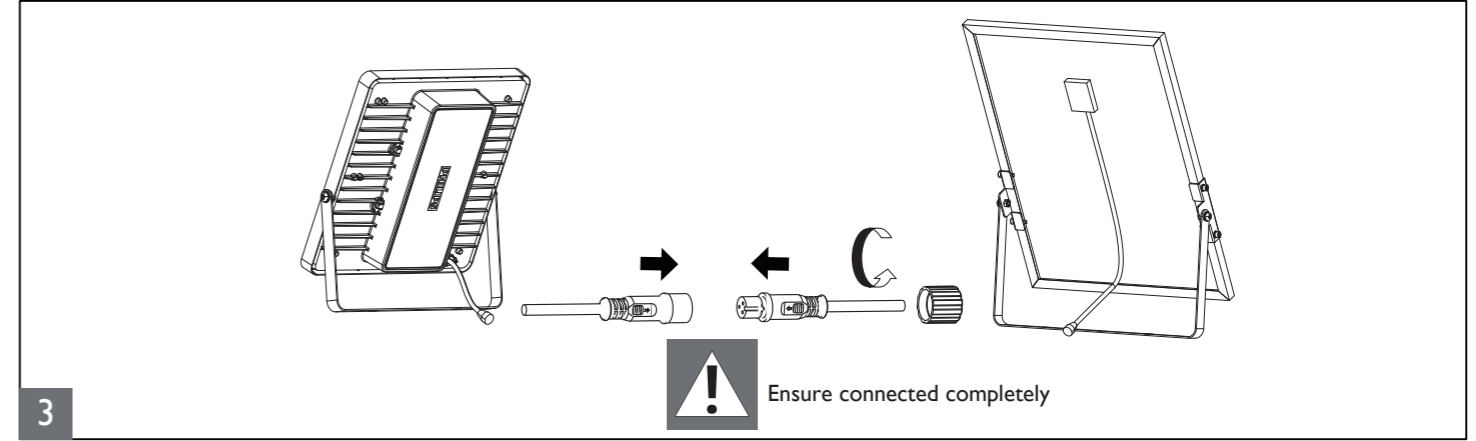
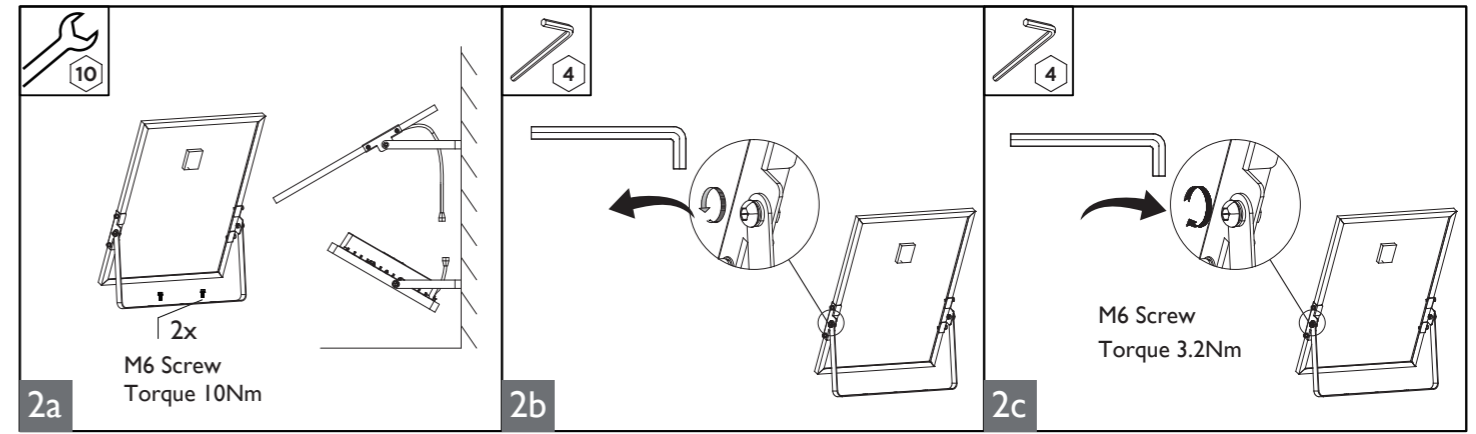
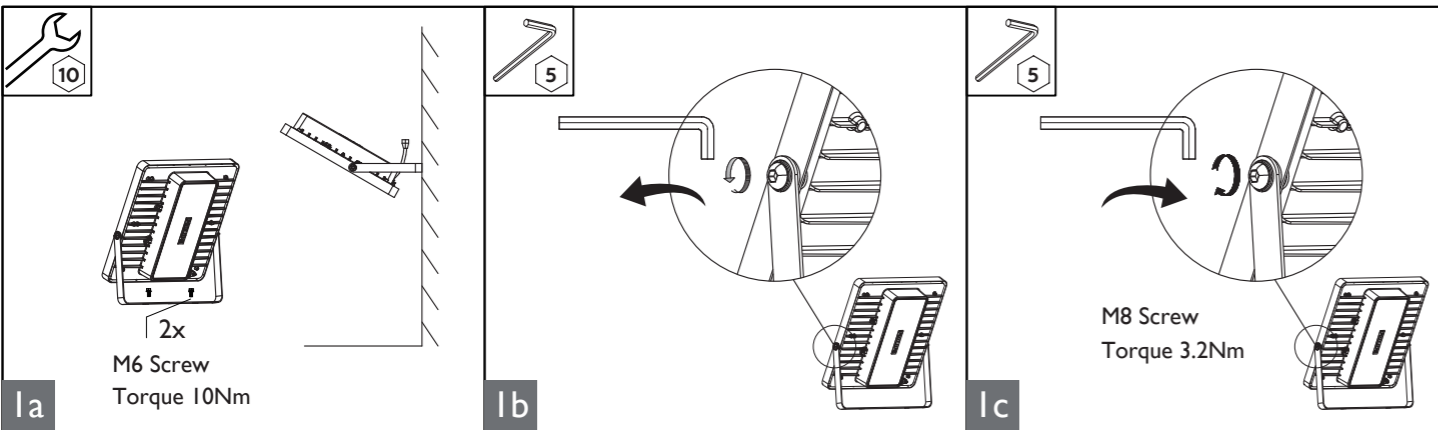


Type Number	Flux(lm)	Battery type	Battery parameter	PV parameter	Remote type	Remote distance	CCT	Ta	Weight	luminous area
BVP085 LED09/840	910lm	Lithium iron phosphate	3.2V/6AH	8W/5V	infrared	≤ 8m	4000K	0-50 °C	2.37Kg	0.029m ²
BVP085 LED17/830 BVP085 LED18/840	1690lm 1820lm	Lithium iron phosphate	3.2V/12AH	15W/5V	infrared	≤ 8m	3000K 4000K	0-50 °C	2.83Kg	0.029m ²
BVP085 LED26/830 BVP085 LED28/840	2600lm 2800lm	Lithium iron phosphate	9.6V/6AH	20W/15V	infrared	≤ 8m	3000K 4000K	0-50 °C	4.46Kg	0.073m ²
BVP085 LED42/830 BVP085 LED45/840	4160lm 4480lm	Lithium iron phosphate	9.6V/9.9AH	35W/15V	infrared	≤ 8m	3000K 4000K	0-50 °C	6.20Kg	0.073m ²

Unit: mm

TYPE	W	L	H	WI	LI	HI	L4
LED09	200	200	60.4	350	235	15	200
LED17/18	200	200	60.4	350	350	15	200
LED26/28	300	300	63.5	350	450	15	200
LED42/45	300	300	63.5	350	680	15	200

TYPE	L2	d	axb	L3	dI	axbI	L5
LED09	180	8.5	15x8.5	100	8.5	15x8.5	4800
LED17/18	180	8.5	15x8.5	100	8.5	15x8.5	4800
LED26/28	180	8.5	15x8.5	180	8.5	15x8.5	4800
LED42/45	180	8.5	15x8.5	180	8.5	15x8.5	4800



Description of remote control keys

SIGNIFY LUMINAIRES (SHANGHAI) CO.,LTD
 Address: 2F, Building 1, No. 2555 Hechuan Road, Minhang District, Shanghai, P.R. China
 Postal code: 200233
 昕诺飞灯具(上海)有限公司
 上海市闵行区合川路2555号1幢二楼
 邮编: 200233

PHILIPS

Philips and the Philips shield emblem are registered trademarks of Koninklijke Philips N.V.



Warnings:

