

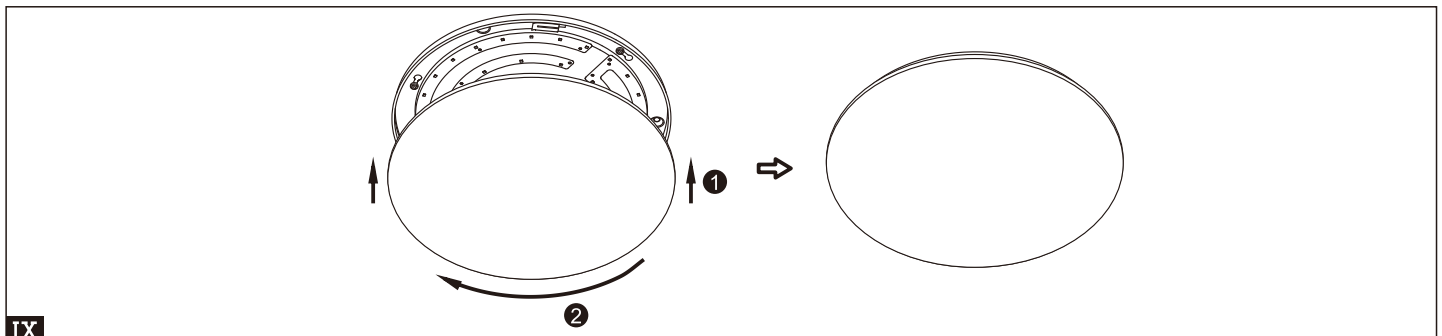
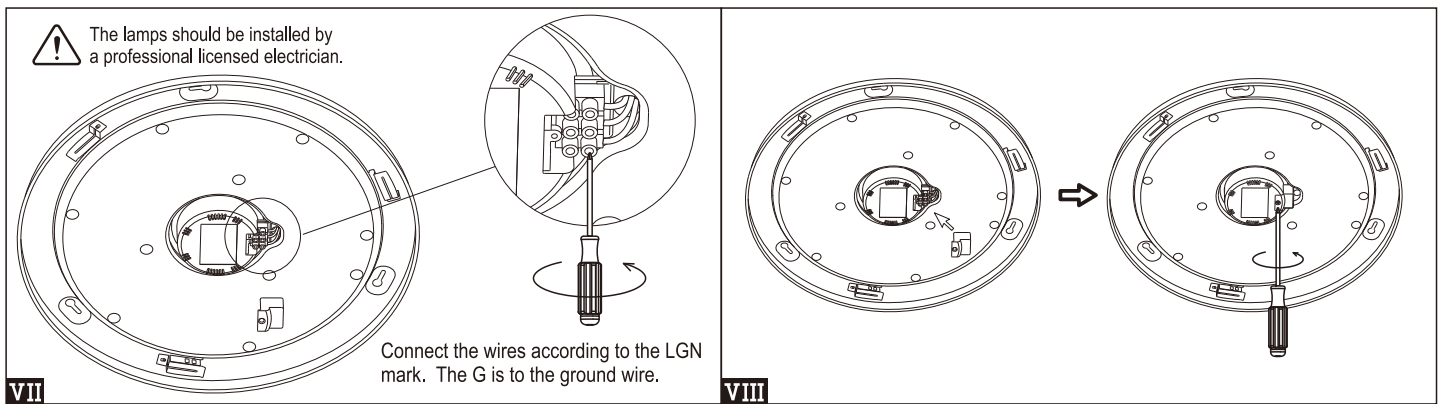
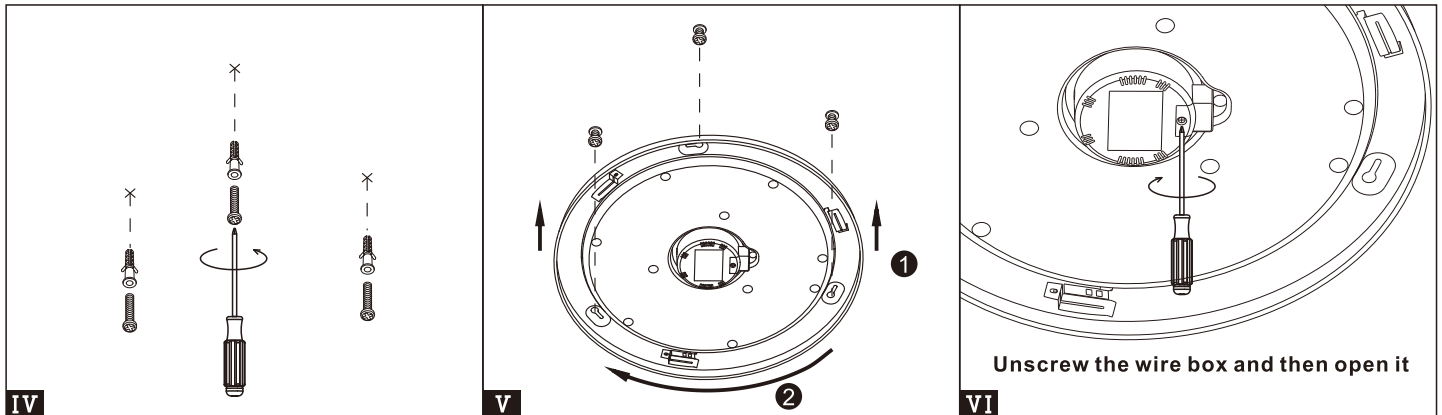
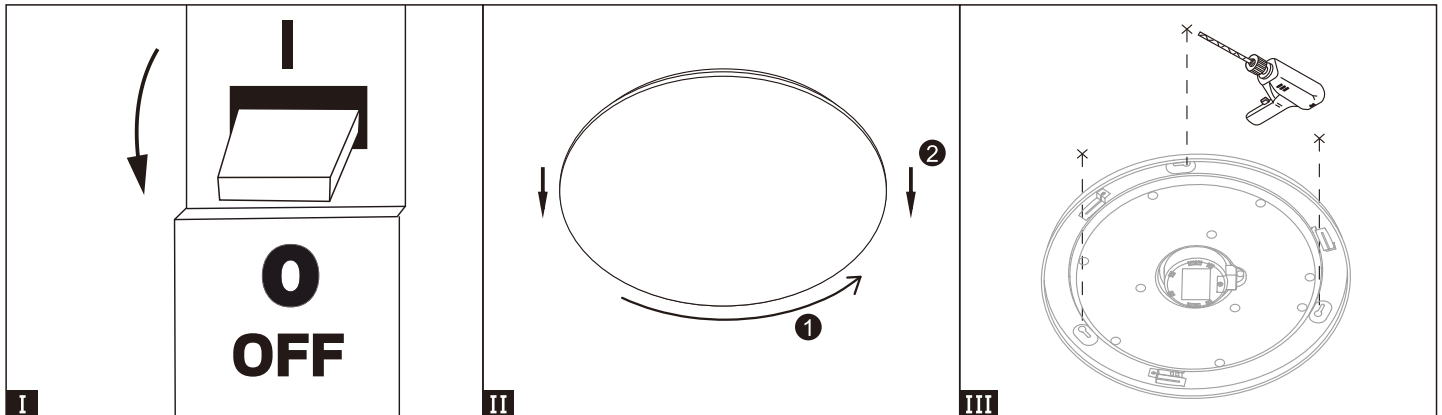
# THORCEON

## Installation Instruction LED Ceiling Light

RoHS     IP20

Model	03013	03014	03015	03016
Input Voltage	AC100-240V	AC100-240V	AC100-240V	AC100-240V
Power	40W	100W	100W	72W
Size	ø400x105mm	ø600x105mm	ø800x105mm	470x470x70mm

### INSTALLATION INSTRUCTIONS

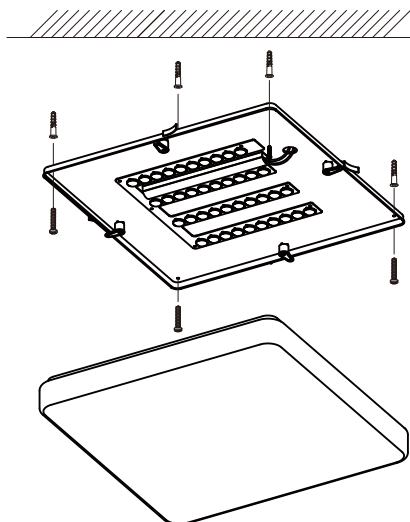


- ① **On/ Off:** Pressing this key when the lamp is off/ on, it will be on/ off.
- ② **Brightness Increase:** Pressing this key when it is on, the lamp would stay the same color and become brighter.
- ③ **Brightness Decrease:** Pressing this key when it is on, the lamp would stay the same color and become darker.
- ④ **CCT +:** Pressing this key when lamp is on, color temperature increased (up to 6500K).
- ⑤ **CCT - :** Pressing this key when lamp is on, color temperature decreased (low to 2700K).
- ⑥ **Backup Light:** Pressing this key when lamp is on, lamp comes to auxiliary lighting (white color) status.
- ⑦ **Mode:** Pressing this key when lamp is on, four different status changing-over, warm white/night-light/ pure white/ cool white.
- ⑧ **Night Light:** Pressing this key at any status, you will get the least lumen output mode, which is suitable for lighting at midnight.

**Memory function:**

Switch the lamp off by remote or power switch for more than 20 seconds and the lamp remembers the latest setting

Change settings by power switch: switch the lamp off and on within a few seconds (less than 20 seconds) and the lamp change the color setting.



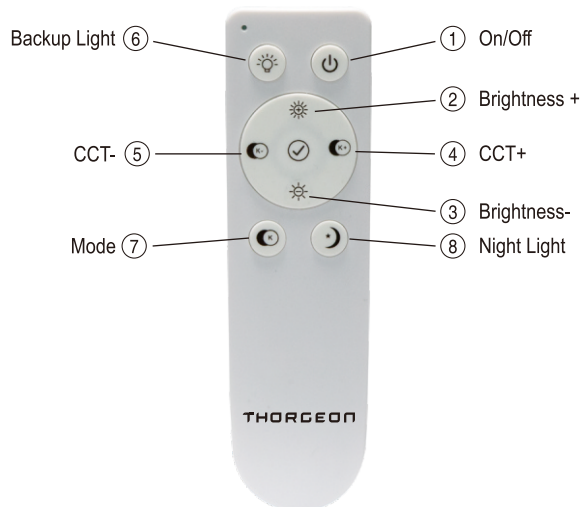
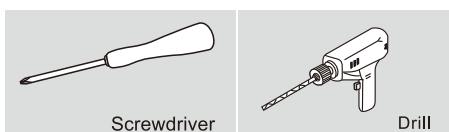
**CLEANING INSTRUCTIONS**

Only clean surface with a mild cleaning agent using a soft cloth.

**ATTENTION**

1. Warning: this lamp may only be used with the LED light source provided.
2. Power off the electricity before connecting the lamp.
3. Be careful of the high voltage, please let professional technicians to install.

**TOOLS YOU WILL NEED**



**THORGEON**

[www.thorgeon.com](http://www.thorgeon.com)

SIA „ATTA-1"  
Jurkalnes street 1, Riga, Latvia, LV-1046