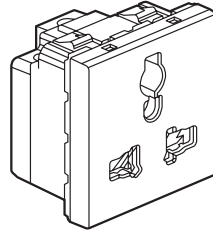


**Arteor™**  
**Multistandard socket**

Cat. No(s): 5 700 42 - 5 710 42 - 5 721 23 - 5 726 23



5 700 42 - 5 710 42 - 5 721 23 - 5 726 23

**1. USE**

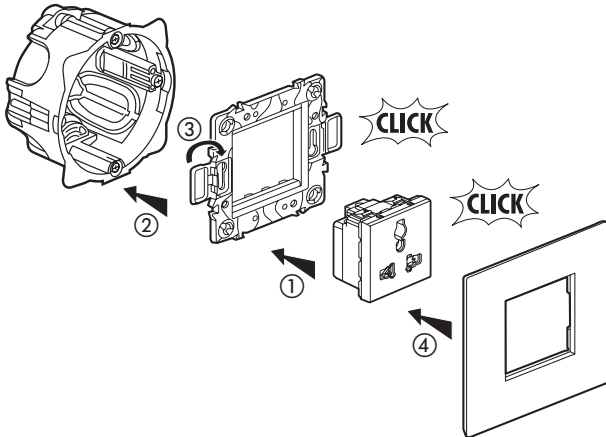
Socket outlets for different international standards: Euro, US, India, China, British standard.

**2. RANGE**

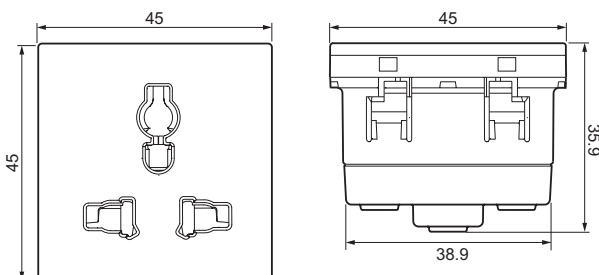
Designation	Finishes				Number of modules	Fixing method	Connection method
	White	Magnesium	Soft Alu	Champagne			
Multistandard socket	5 721 23	5 726 23	5 710 42	5 700 42	2	with clips	with screws

**3. PREPARATION**

The mechanism can be flush-mounted or surface-mounted.



**4. OVERALL DIMENSIONS**



**5. CONNECTION**

Capacity: 2 x 2.5 mm<sup>2</sup>  
 Stripping: 8 mm  
 Screwdriver: flat plate 4 mm

**6. OPERATION**

Standard operation by insertion or withdrawal of a plug to normalized standard.

**7. TECHNICAL CHARACTERISTICS**

- **7.1 Mechanical characteristics**  
 Impact tests: IK 04  
 Penetration by solid bodies/liquid: IP 20
- **7.2 Material characteristics**  
 Base: Polycarbonate  
 Cover: Polycarbonate
- **7.3 Electrical characteristics**

Voltage	Current
250 V	5 - 6 - 10 - 13 A
127 V	15 A

Self-extinguishing: 650° C/30 s.

- **7.4 Climatic characteristics**  
 Storage temperature: - 10° C to + 70° C  
 Operating temperature: - 5° C to + 50° C

## 8. CLEANING

Surface cleaning with a cloth  
Do not use: acetone, tar remover, trichloroethylene

### ■ 8.1 Resistance to cleaning agents

Hexane (EN 60669-1), Methylated spirits, Soapy water, Diluted ammonia, Diluted pure bleach 10%, Glass cleaning substance, Pre-impregnated wipes.

**Caution:** Always test before using other special cleaning products.

## 9. STANDARDS AND APPROVALS

Compliance with installation and manufacturing standards.  
Refer to e-catalogue.