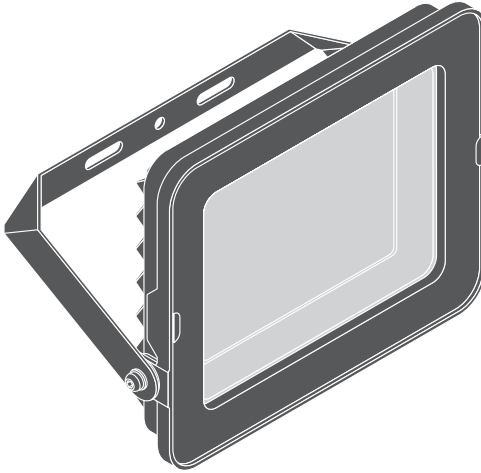


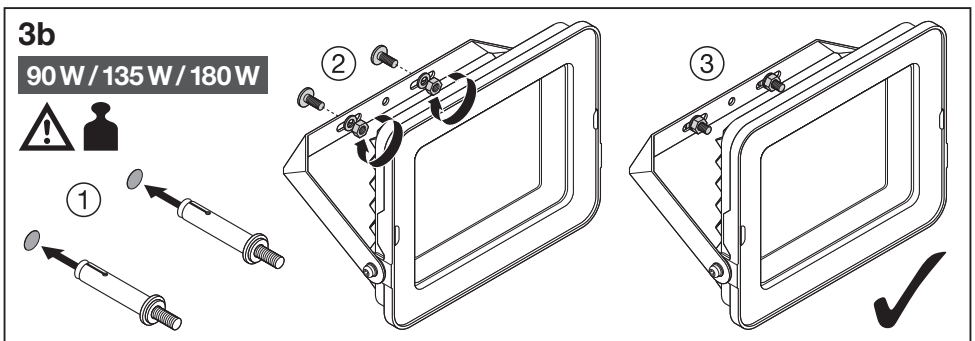
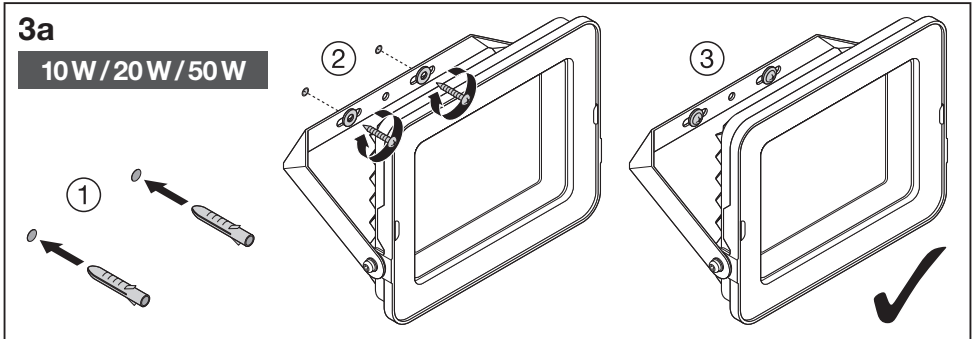
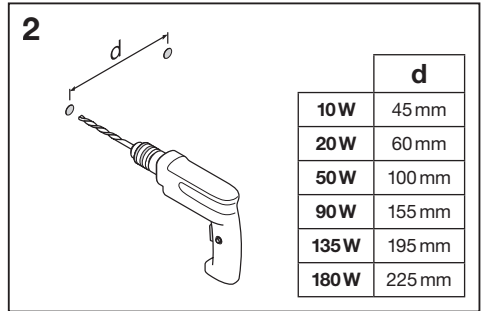
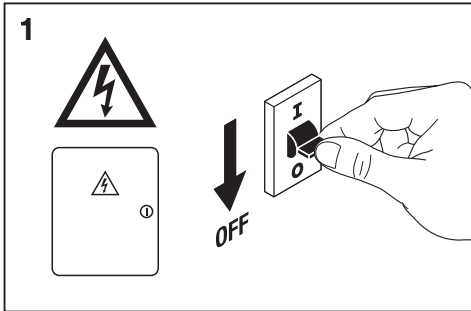
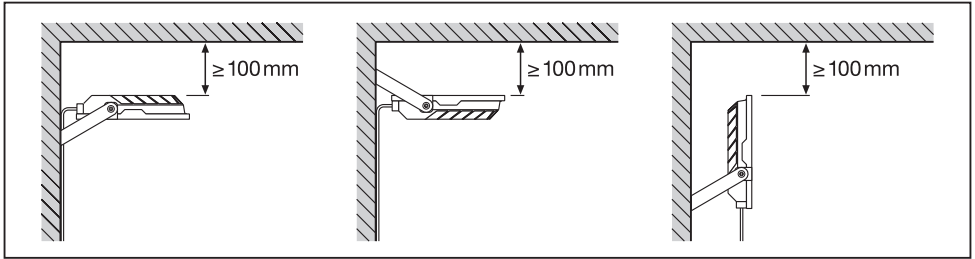
FLOODLIGHT COMPACT

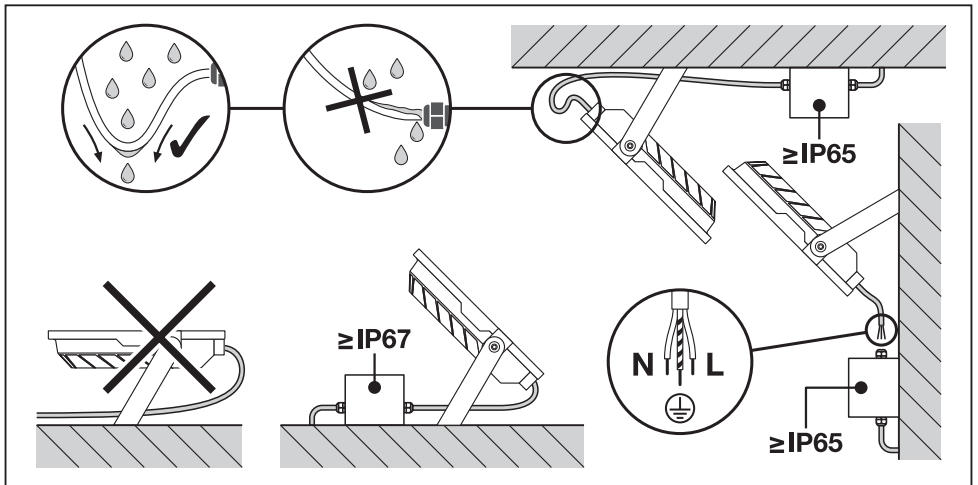
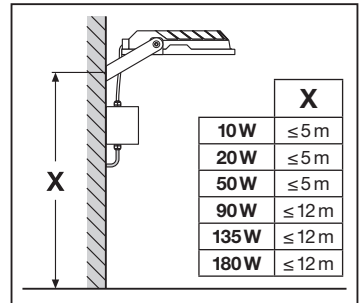
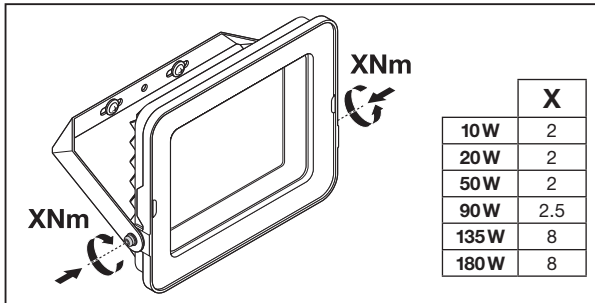
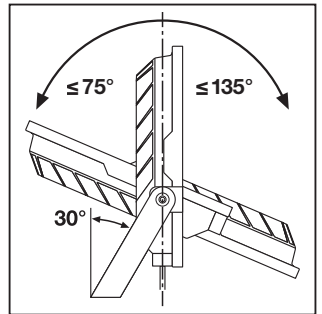
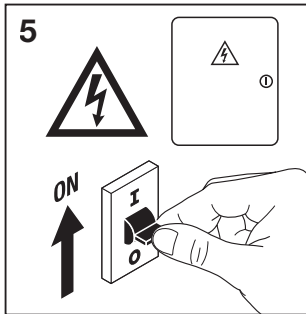
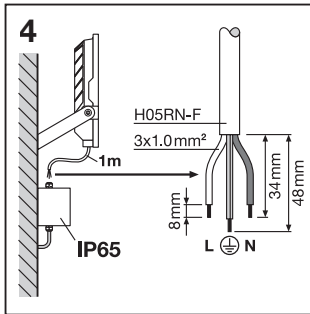


	EAN	l x w x h [mm]	W	V _{AC}	Hz	lm	lm/W	K
FL COMP V 10W 830 SYM 100 BK	4058075574557	114x109x29	10	220-240	50/60	900	90	3000
FL COMP V 10W 830 SYM 100 WT	4058075574571	114x109x29	10	220-240	50/60	900	90	3000
FL COMP V 10W 840 SYM 100 BK	4058075574595	114x109x29	10	220-240	50/60	1000	100	4000
FL COMP V 10W 840 SYM 100 WT	4058075574618	114x109x29	10	220-240	50/60	1000	100	4000
FL COMP V 10W 865 SYM 100 BK	4058075574656	114x109x29	10	220-240	50/60	1000	100	6500
FL COMP V 10W 865 SYM 100 WT	4058075574694	114x109x29	10	220-240	50/60	1000	100	6500
FL COMP V 20W 830 SYM 100 BK	4058075574731	124x122x29	20	220-240	50/60	1800	90	3000
FL COMP V 20W 830 SYM 100 WT	4058075574755	124x122x29	20	220-240	50/60	1800	90	3000
FL COMP V 20W 840 SYM 100 BK	4058075574779	124x122x29	20	220-240	50/60	2000	100	4000
FL COMP V 20W 840 SYM 100 WT	4058075574793	124x122x29	20	220-240	50/60	2000	100	4000
FL COMP V 20W 865 SYM 100 BK	4058075574816	124x122x29	20	220-240	50/60	2000	100	6500
FL COMP V 20W 865 SYM 100 WT	4058075574830	124x122x29	20	220-240	50/60	2000	100	6500
FL COMP V 50W 830 SYM 100 BK	4058075574854	160x170x36	50	220-240	50/60	4500	90	3000
FL COMP V 50W 830 SYM 100 WT	4058075574878	160x170x36	50	220-240	50/60	4500	90	3000
FL COMP V 50W 840 SYM 100 BK	4058075574892	160x170x36	50	220-240	50/60	5000	100	4000
FL COMP V 50W 840 SYM 100 WT	4058075574915	160x170x36	50	220-240	50/60	5000	100	4000
FL COMP V 50W 865 SYM 100 BK	4058075574939	160x170x36	50	220-240	50/60	5000	100	6500
FL COMP V 50W 865 SYM 100 WT	4058075574960	160x170x36	50	220-240	50/60	5000	100	6500
FL COMP V 90W 830 SYM 100 BK	4058075574984	236x255x40	90	220-240	50/60	8100	90	3000
FL COMP V 90W 840 SYM 100 BK	4058075575004	236x255x40	90	220-240	50/60	9000	100	4000
FL COMP V 90W 865 SYM 100 BK	4058075575080	236x255x40	90	220-240	50/60	9000	100	6500
FL COMP V 135W 830 SYM 100 BK	4058075575103	274x305x48	135	220-240	50/60	12150	90	3000
FL COMP V 135W 840 SYM 100 BK	4058075575127	274x305x48	135	220-240	50/60	13500	100	4000
FL COMP V 135W 865 SYM 100 BK	4058075575141	274x305x48	135	220-240	50/60	13500	100	6500
FL COMP V 180W 830 SYM 100 BK	4058075575165	300x340x55	180	220-240	50/60	16800	90	3000
FL COMP V 180W 840 SYM 100 BK	4058075575189	300x340x55	180	220-240	50/60	18000	100	4000
FL COMP V 180W 865 SYM 100 BK	4058075575202	300x340x55	180	220-240	50/60	18000	100	6500

	EAN	IP	IK	∇	R _a	⊖ (°C)	PF	⚙
FL COMP V 10W 830 SYM 100 BK	4058075574557	65	06	100°	≥ 80	-30...+45	> 0.9	0.3 kg
FL COMP V 10W 830 SYM 100 WT	4058075574571	65	06	100°	≥ 80	-30...+45	> 0.9	0.3 kg
FL COMP V 10W 840 SYM 100 BK	4058075574595	65	06	100°	≥ 80	-30...+45	> 0.9	0.3 kg
FL COMP V 10W 840 SYM 100 WT	4058075574618	65	06	100°	≥ 80	-30...+45	> 0.9	0.3 kg
FL COMP V 10W 865 SYM 100 BK	4058075574656	65	06	100°	≥ 80	-30...+45	> 0.9	0.3 kg
FL COMP V 10W 865 SYM 100 WT	4058075574694	65	06	100°	≥ 80	-30...+45	> 0.9	0.3 kg
FL COMP V 20W 830 SYM 100 BK	4058075574731	65	06	100°	≥ 80	-30...+45	> 0.9	0.3 kg
FL COMP V 20W 830 SYM 100 WT	4058075574755	65	06	100°	≥ 80	-30...+45	> 0.9	0.3 kg
FL COMP V 20W 840 SYM 100 BK	4058075574779	65	06	100°	≥ 80	-30...+45	> 0.9	0.3 kg
FL COMP V 20W 840 SYM 100 WT	4058075574793	65	06	100°	≥ 80	-30...+45	> 0.9	0.3 kg
FL COMP V 20W 865 SYM 100 BK	4058075574816	65	06	100°	≥ 80	-30...+45	> 0.9	0.3 kg
FL COMP V 20W 865 SYM 100 WT	4058075574830	65	06	100°	≥ 80	-30...+45	> 0.9	0.3 kg
FL COMP V 50W 830 SYM 100 BK	4058075574854	65	06	100°	≥ 80	-30...+45	> 0.9	0.6 kg
FL COMP V 50W 830 SYM 100 WT	4058075574878	65	06	100°	≥ 80	-30...+45	> 0.9	0.6 kg
FL COMP V 50W 840 SYM 100 BK	4058075574892	65	06	100°	≥ 80	-30...+45	> 0.9	0.6 kg
FL COMP V 50W 840 SYM 100 WT	4058075574915	65	06	100°	≥ 80	-30...+45	> 0.9	0.6 kg
FL COMP V 50W 865 SYM 100 BK	4058075574939	65	06	100°	≥ 80	-30...+45	> 0.9	0.6 kg
FL COMP V 50W 865 SYM 100 WT	4058075574960	65	06	100°	≥ 80	-30...+45	> 0.9	0.6 kg
FL COMP V 90W 830 SYM 100 BK	4058075574984	65	08	100°	≥ 80	-30...+45	> 0.9	1.5 kg
FL COMP V 90W 840 SYM 100 BK	4058075575004	65	08	100°	≥ 80	-30...+45	> 0.9	1.5 kg
FL COMP V 90W 865 SYM 100 BK	4058075575080	65	08	100°	≥ 80	-30...+45	> 0.9	1.5 kg
FL COMP V 135W 830 SYM 100 BK	4058075575103	65	08	100°	≥ 80	-30...+45	> 0.9	2.2 kg
FL COMP V 135W 840 SYM 100 BK	4058075575127	65	08	100°	≥ 80	-30...+45	> 0.9	2.2 kg
FL COMP V 135W 865 SYM 100 BK	4058075575141	65	08	100°	≥ 80	-30...+45	> 0.9	2.2 kg
FL COMP V 180W 830 SYM 100 BK	4058075575165	65	08	100°	≥ 80	-30...+45	> 0.9	2.9 kg
FL COMP V 180W 840 SYM 100 BK	4058075575189	65	08	100°	≥ 80	-30...+45	> 0.9	2.9 kg
FL COMP V 180W 865 SYM 100 BK	4058075575202	65	08	100°	≥ 80	-30...+45	> 0.9	2.9 kg

							230 Vac		
		A	B	C			C10A	B16A	C16A
10W		55	35	5.5	2x M5	0.007 m ²	133	182	212
20W		70	50	5.5	2x M5	0.009 m ²	66	90	105
50W		110	90	5.5	2x M5	0.018 m ²	26	36	42
90W		170	140	6.5	2x M6	0.043 m ²	15	20	23
135W		210	180	8.5	2x M8	0.061 m ²	10	13	16
180W		240	210	8.5	2x M8	0.077 m ²	7	10	12





Points de collecte sur www.quefairedemesdechets.fr
Privilégiez la réparation ou le don de votre appareil !

C10449057
G11143234

17.05.22



LEDVANCE GmbH
Steinerne Furt 62
86167 Augsburg, Germany
www.ledvance.com

© LEDVANCE Ltd, Aquila House
Delta Crescent, Westbrook, Warrington
WA5 7NR, United Kingdom