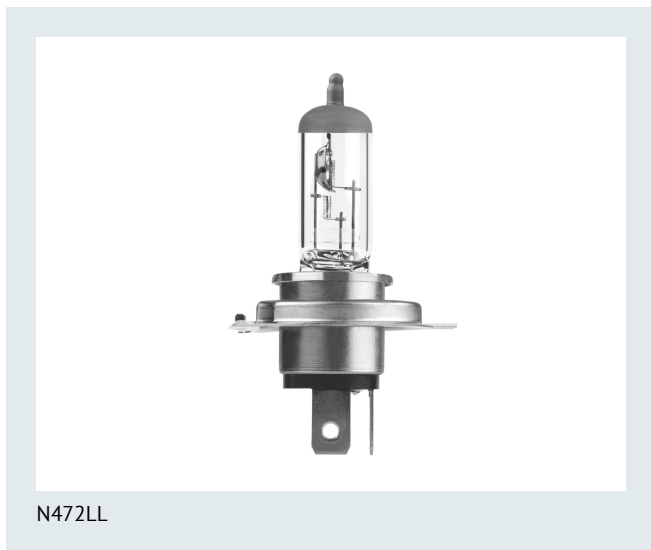




**NEOLUX**<sup>®</sup>  
GERMAN TECHNOLOGY

## Extra Lifetime 60/55 W 12 V P43t

Car lamps from NEOLUX ensure the roads ahead are well-lit and visible to others.



### Product family benefits

- Longer replacement cycle
- Less maintenance
- Suitable for the most common headlight lamps
- Affordable
- Greater comfort

### Product family features

- Long lifespan
- More durability
- ECE certified lamps
- Good and reliable quality thanks to German technology
- Normed light output

### Areas of application

- Headlight



**Product information**

Application (Category and Product specific)	Halogen headlight lamp
---	------------------------

**Electrical data**

Power input	75 W
Test voltage	13.2 V
Nominal wattage	60/55 W
Nominal voltage	12.0 V

**Photometrical data**

Luminous flux	1650/1000 lm
Luminous flux tolerance	±12 %

**Dimensions & weight**

Product weight	22.90 g
Length	87.0 mm
Diameter	16.0 mm

**Lifespan**

Lifespan Tc	350 h
Lifespan B3	300 h

**Additional product data**

Base (standard designation)	P43t
-----------------------------	------

**Capabilities**

Technology	Halogen lamp
------------	--------------

**Certificates & standards**

ECE category	H4
--------------	----

**Logistical data**

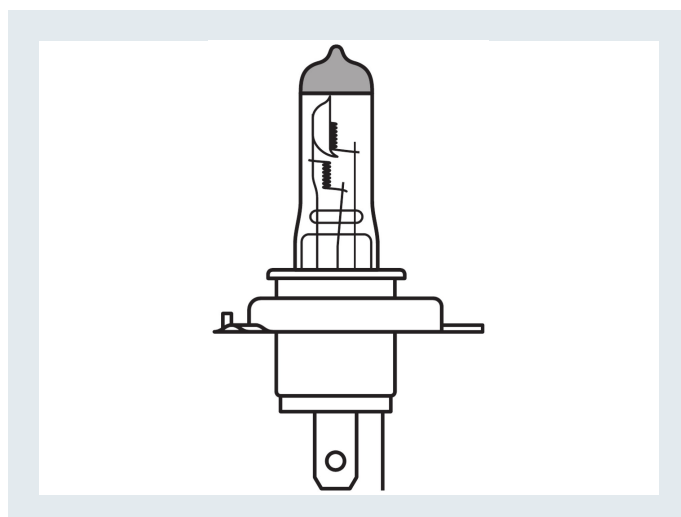
Order reference	N472LL
-----------------	--------

**Environmental information**

Date of Declaration	10-06-2022
Primary Article Identifier	4006584797653   4052899276147   4052899276185   4055462180704   4052899500990   4055462246325   4055462301734   4045727184998   4008321682482
Candidate List Substance 1	No declarable substances contained
Declaration No. in SCIP database	In work

**Packaging Information**

Packaging description	EAN	Packaging type	Amount of article
N472LL-2SCB	4052899500990	Soft cover box	2



**NEOLUX**<sup>®</sup>  
GERMAN TECHNOLOGY

NEOLUX Automotive Lighting  
OSRAM GmbH

Marcel-Breuer-Str 6  
80807 Munich, Germany

Phone +49 89 6213-0  
Fax +49 89 6213-2020

[www.neolux-lighting.com](http://www.neolux-lighting.com)