



CorePro LEDspot LV



CorePro LED spot ND 7-50W MR16 840 36D

CorePro LEDspots are a perfect fit for spot lighting and deliver warm halogen-like light. They are compatible with most existing fixtures with MR16 GU5.3 holders and are designed as a retrofit replacement for halogen or incandescent spots. CorePro LEDspots deliver huge energy savings and minimize maintenance cost.

Product data

General Information	
Cap-Base	GU5.3
Nominal lifetime	15,000 hour(s)
Switching Cycle	50,000
Lighting Technology	LED
Flux measurement reference	Narrow Cone
Light Technical	
Color Code	840 [CCT of 4000K]
Beam Angle (Nom)	36 degree(s)
Luminous Flux	660 lm
Luminous Intensity (Nom)	1,500 cd
Color Designation	Cool White (CW)
Correlated Color Temperature (Nom)	4000 K
Luminous Efficacy (rated) (Nom)	94.00 lm/W
Color Consistency	<6
Color rendering index (CRI)	80
LLMF At End Of Nominal Lifetime (Nom)	70 %
Luminous Flux in 90° Cone (Rated)	660 lm
Operating and Electrical	
Line Frequency	- Hz
Input Frequency	- Hz

Power Consumption	7 W
Lamp Current (Nom)	730 mA
Wattage Equivalent	50 W
Starting Time (Nom)	0.5 s
Warm-up time to 60% light	0.5 s
Power Factor (Fraction)	0.8
Voltage (Nom)	12 V

Temperature	
T-Case Maximum (Nom)	85 °C

Controls and Dimming	
Dimmable	No

Mechanical and Housing	
Bulb Shape	MR16
Net Weight (Piece)	0.034 kg

Approval and Application	
Energy Efficiency Class	F
Suitable For Accent Lighting	Yes
Energy Consumption kWh/1000 h	7 kWh
EPREL Registration Number	465223

CorePro LEDspot LV

CE mark	Yes
EU RoHS compliant	Yes
EyeComfort	Yes

Application Conditions

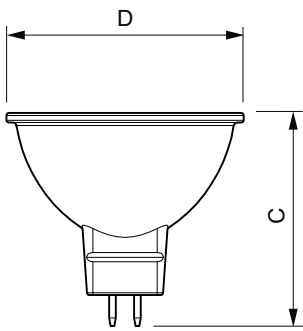
can it be used in closed luminaires	No
-------------------------------------	----

Product Data

Order product name	CorePro LED spot ND 7-50W MR16 840 36D
Full product name	CorePro LED spot ND 7-50W MR16 840 36D

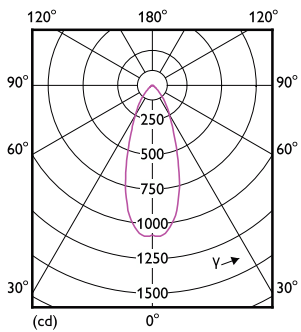
Full product code	871869681479600
Order code	929001905002
Material Nr. (12NC)	929001905002
Numerator - Quantity Per Pack	1
EAN/UPC - Product/Case	8718696814796
Numerator - Packs per outer box	10
EAN/UPC - Case	8718696814802

Dimensional drawing

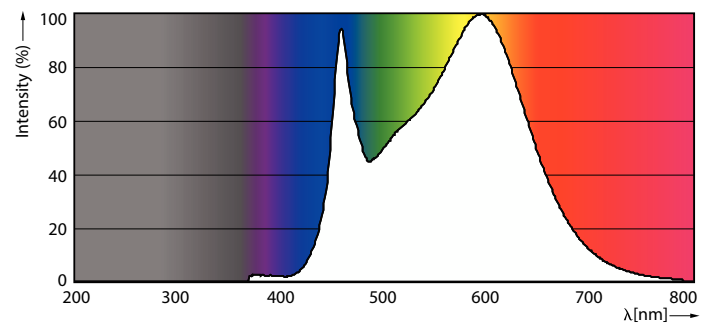


Product	D	C
CorePro LED spot ND 7-50W MR16 840 36D	50.5 mm	45 mm

Photometric data



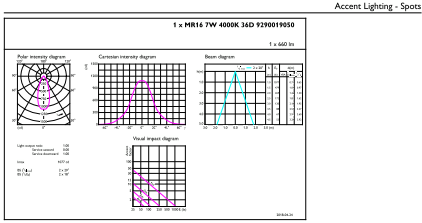
Light Distribution Diagram - CorePro LED spot ND 7-50W MR16 840 36D



Spectral Power Distribution Colour - CorePro LED spot ND 7-50W MR16 840 36D

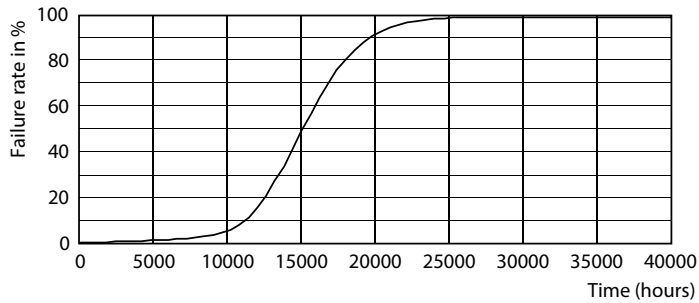
CorePro LEDspot LV

Photometric data

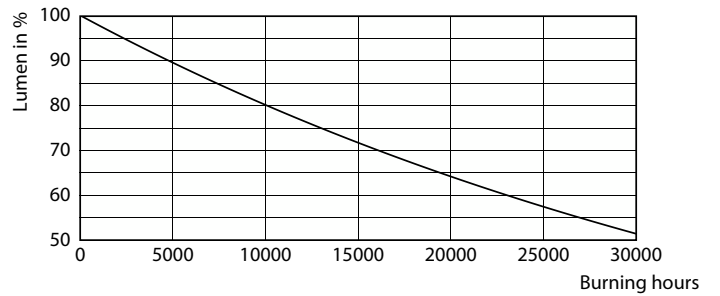


Accent Lighting Spots - CorePro LED spot ND 7-50W MR16 840 36D

Lifetime



LEDspot Corepro 7-50W GU5.3 MR16 827 36D ND



Lumen Maintenance Diagram - CorePro LED spot ND 7-50W MR16 840 36D

