

# Product Data Sheet

## GWJ2123W

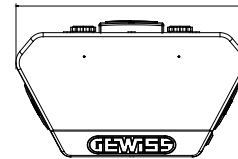
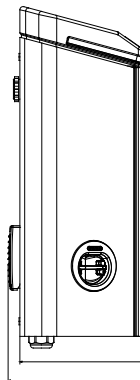
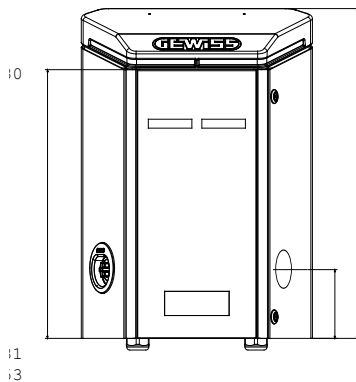
JOINON range



The wall-mounted I-ON charging stations are the JOINON solutions for public and semi-public access, designed for charging electric vehicles and to withstand any wear including impacts, stress, vandalism and atmospheric agents. They are the first and only on the market guaranteed with a IP55 protection rating. The special design allows the units to be adapted into any urban context and parking configuration, with a targeted focus on the user experience of drivers. They are available with standard JoinOn graphics, which may be customised on request.

<b>INPUT</b>		- Socket/Connector Nr. (Type)	1 (Type 2 antivandalproof, with shutter) + 1 (Type F)
Terminal blocks	1 x (5 x 10 mm <sup>2</sup> ) + 1 x (3 x 6 mm <sup>2</sup> )	Charging activation	Remotely managed, via OCPP 1.6J
Rated current	42 A	Human Interface	LED RGB and TFT Display
Total power	25 Kilowatt	Connectivity	LAN,WIFI,4G
<b>OUTPUT</b>		<b>MECHANICAL FACTS</b>	-
Rated voltage	400 V	Mounting and installation	Wall mount
Current supplied (max)	32 A per socket (10 A for Type F)	Colour	Grey, Headboard RAL 7011
Power max.	22 kW per socket (2,3 kW for type F)	Material	Steel sheet
Thermal-magnetic protection	Currently not present	External treatments	Anti-corrosion and anti-graffiti
Type of residual current protection	Currently not present	IP degree	IP54
Power meter	YES (MID)	Mechanical resistance	IK10
DC Leakage check	Currently not present	Operating temperature	-25 +50 °C
(Auto)restart electrical protections	Currently not present	Customizations	Yes (front)

### DIMENSIONAL



### TECHNICAL SYMBOLOGY

**IP**

**IK**

IP54

IK10

### STANDARDS/APPROVALS

