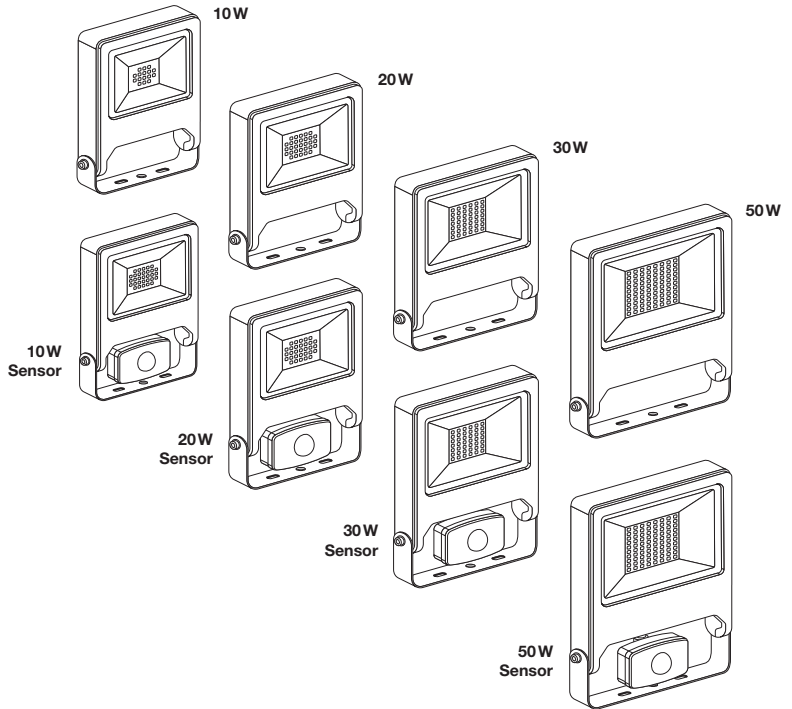
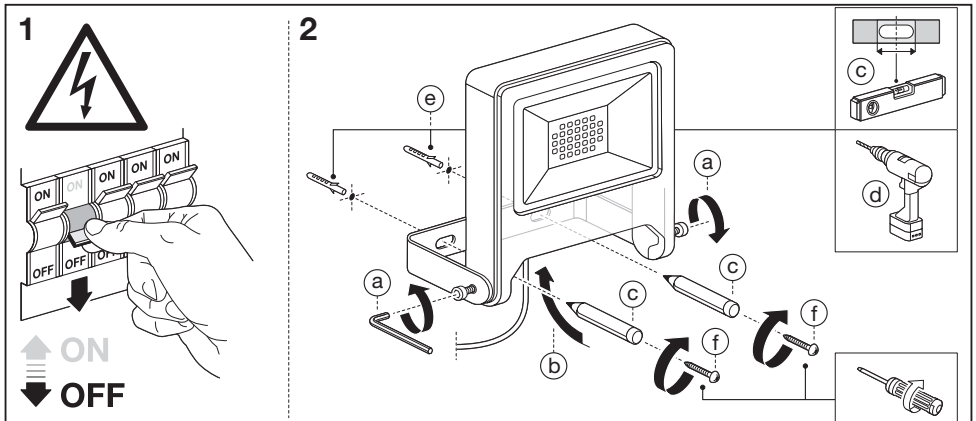
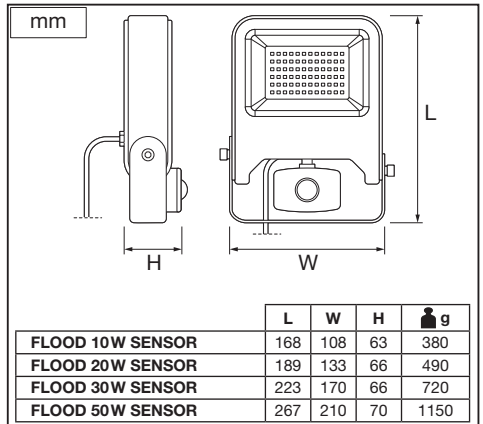
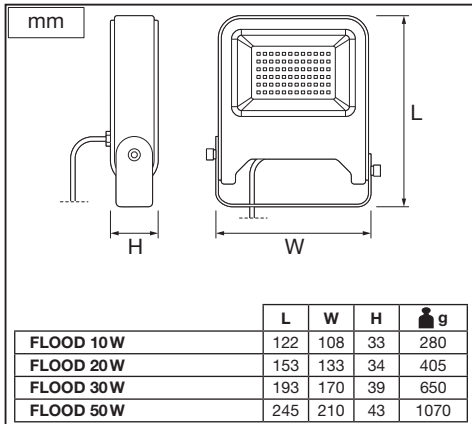
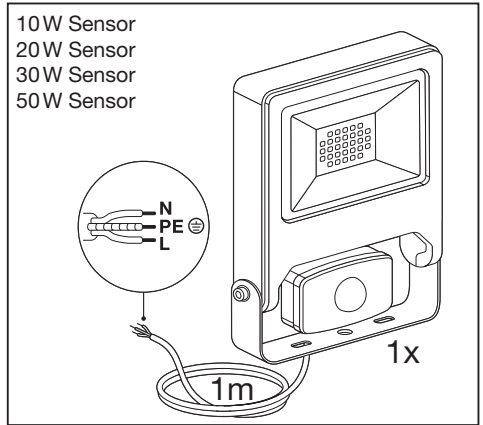
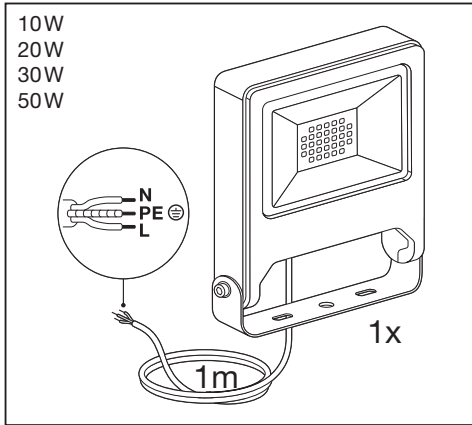
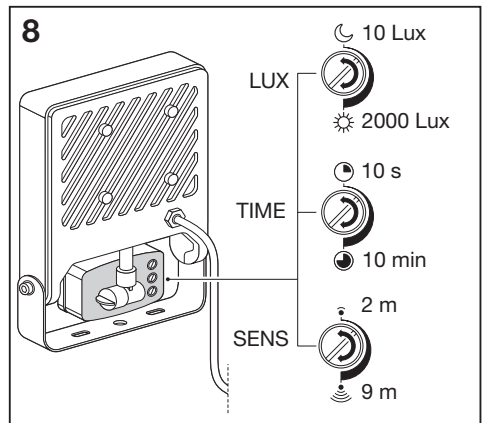
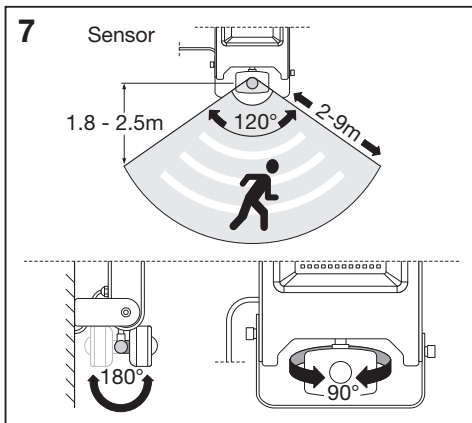
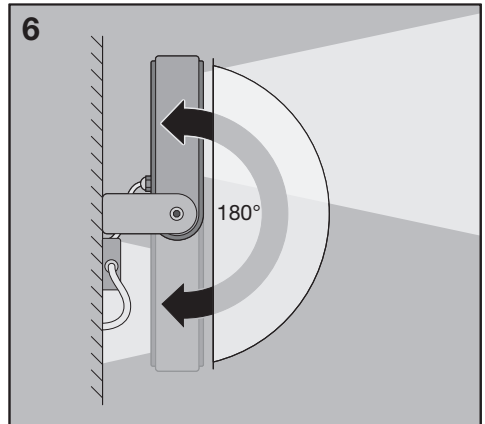
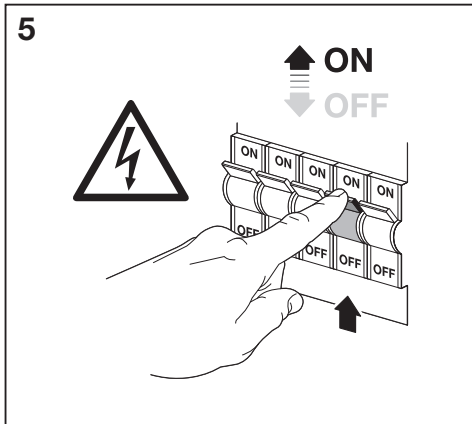
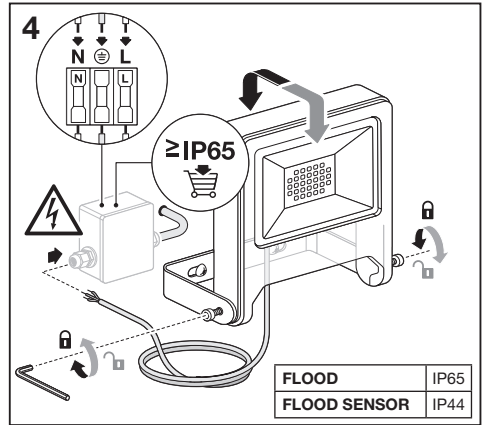
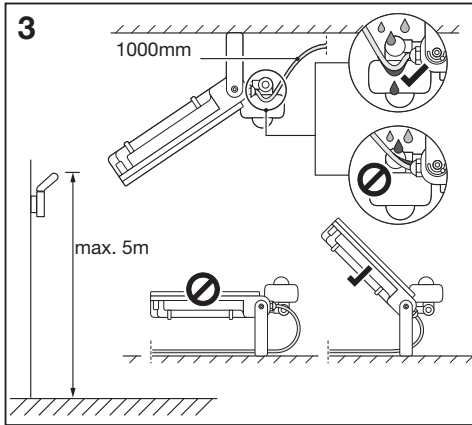


ENDURA® FLOOD



	EAN	W	lm	K	°(°C)	V~	mA	Hz	PF	▽ (°)	☞
ENDURA FLOOD 10W 840 DG	4058075206663	10	800	4000	-20...+45	220-240	46	50/60	≥0.9	110	15000
ENDURA FLOOD 20W 840 DG	4058075206687	20	1700	4000	-20...+45	220-240	92	50/60	≥0.9	110	15000
ENDURA FLOOD 30W 840 DG	4058075206700	30	2700	4000	-20...+45	220-240	145	50/60	≥0.9	110	15000
ENDURA FLOOD 50W 840 DG	4058075206724	50	4500	4000	-20...+45	220-240	220	50/60	≥0.9	110	15000
ENDURA FLOOD SENSOR 10W 840 DG	4058075292192	10	800	4000	-10...+40	220-240	46	50/60	≥0.7	110	15000
ENDURA FLOOD SENSOR 20W 840 DG	4058075206748	20	1700	4000	-10...+40	220-240	92	50/60	≥0.7	110	15000
ENDURA FLOOD SENSOR 30W 840 DG	4058075206762	30	2700	4000	-10...+40	220-240	145	50/60	≥0.9	110	15000
ENDURA FLOOD SENSOR 50W 840 DG	4058075206786	50	4500	4000	-10...+40	220-240	220	50/60	≥0.9	110	15000





	EAN	This product contains a light source of energy efficiency class	Contained Light Source
ENDURA FLOOD 10W 840 DG	4058075206663	F	
ENDURA FLOOD 20W 840 DG	4058075206687	F	
ENDURA FLOOD 30W 840 DG	4058075206700	F	
ENDURA FLOOD 50W 840 DG	4058075206724	F	
ENDURA FLOOD SENSOR 10W 840 DG	4058075292192	F	
ENDURA FLOOD SENSOR 20W 840 DG	4058075206748	F	
ENDURA FLOOD SENSOR 30W 840 DG	4058075206762	F	
ENDURA FLOOD SENSOR 50W 840 DG	4058075206786	F	



Points de collecte sur www.quefairedemesdechets.fr

C10449057
G11148942
18.08.2022



LEDVANCE GmbH
Steinerne Furt 62
86167 Augsburg, Germany
www.ledvance.com