

THORGEON

POWER STATION

FOLDABLE SOLAR PANEL 100W

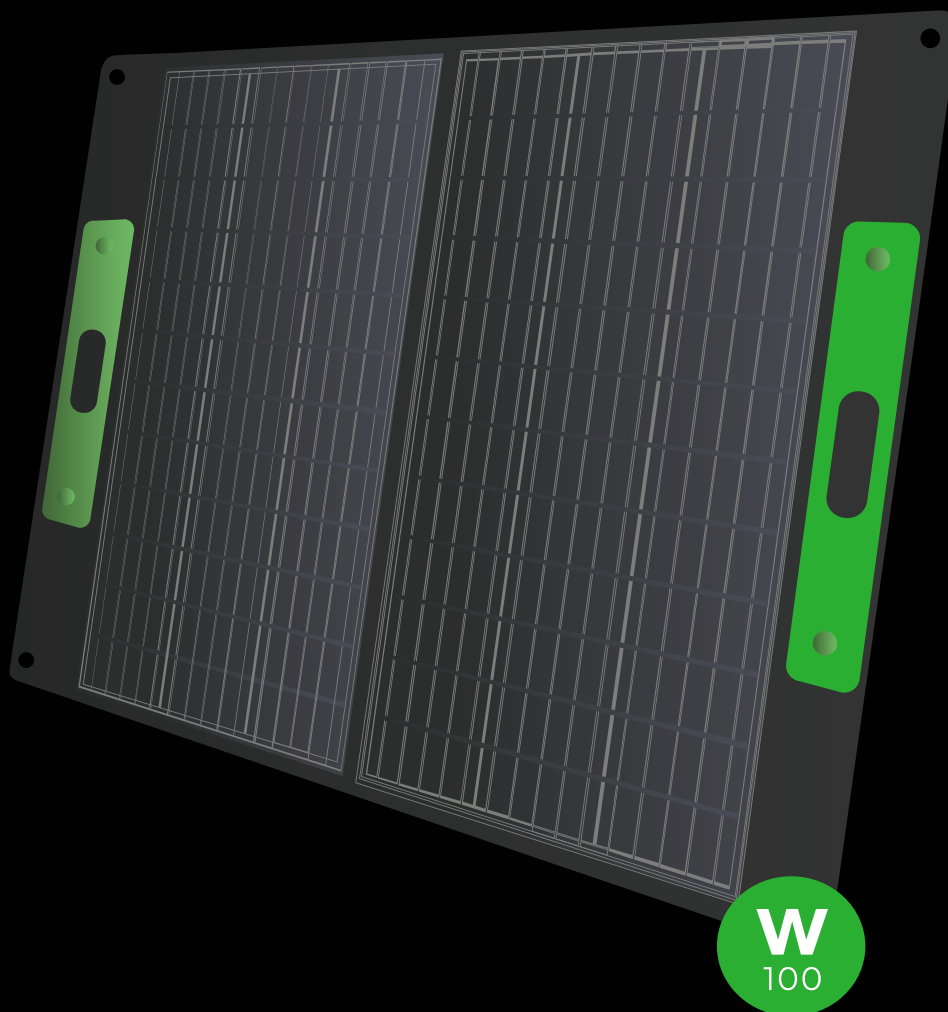
17001



Manufactured in PRC



5V 12V 19V



THORGEON



www.thorgeon.com

SIA "ATTA-1", Daugavgrivas street 77,
Riga, Latvia, LV-1007

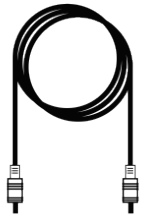


4751029898791
Developed in Latvia

Thank you for purchasing this THORGEON® product. Before operating, please read these instructions carefully. This instruction manual contains information for safe use and maintenance of the product.

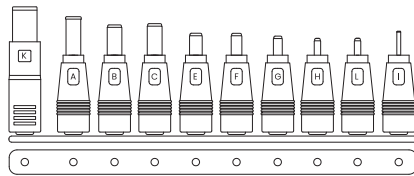
Please keep this instruction manual in a safe place for future reference.

The manufacturer does not accept responsibility for any damages due to not following these instructions.

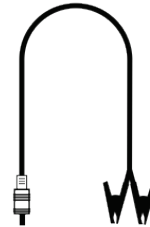


1) 10' (3M) cable with DC 5521 male connectors

CABLES INCLUDED:



2) 10-in-1 interchangeable connectors



3) 1' (0.3M) DC 5521 to alligator clip cable

TABLE OF CONTENTS

General	Pg. 02
Safety Precautions for Using a Foldable Solar Panel	
General Operation Notes	
Product Overview	Pg. 04
100W Foldable Solar Panel	
Cables	
Before Using	Pg. 07
What's in the Box	
Operation	Pg. 08
Installation	
Choose the location	
System Connection	
Maintenance	Pg. 09
Warranty Statement	Pg. 10

GENERAL

Please carefully read the following operation and safety instructions. Non-compliance with these instructions may void the product warranty.

This guide contains information regarding the operation and safe handling THORGEON® solar panels and components. All operations must be read and understood before attempting operation. If there are any questions, please contact your dealer or THORGEON® customer support for further information.

The user should conform to all safety precautions in the guide when using solar panels. Before using a solar photovoltaic system (including cable, power station or other electric equipment), the user should be familiar with the mechanical and

electrical requirements for photovoltaic systems. Keep this guide in a safe place for future reference.

- All solar panels come with permanently attached output ports. Your dealer can provide additional extension cables to simplify module wiring.
- Exercise caution when wiring or handling solar panels exposed to sunlight.
- Photovoltaic solar panels convert light energy to direct-current electrical energy and are designed for outdoor use.
- Solar panels may be hung, placed flat, or use provided kickstand to face towards the sun.
- Do not frequently connect or disconnect wires attached to solar panels when they are exposed to sunlight in order to extend panel service life.
- Do not attempt to disassemble the solar panel, and do not remove any attached nameplates or components. Doing so will void the warranty.
- Do not apply paint or adhesive to the solar panel.
- Do not use mirrors or other hardware to artificially concentrate sunlight on the solar panel.

Safety Precautions for Using a Foldable Solar Panel

- Solar panels produce electrical energy when exposed to sunlight.
- THORGEON® solar panels can be connected in series. When connected together (either in series or parallel), make sure that each solar panel has the same rated voltage. Your dealer can provide additional cables to simplify panel connections.
- Observe the instructions and safety precautions for all other components used in the system, including wiring, cables, connectors, and etc.
- Use only equipment, connectors, wiring, and mounting hardware suitable for use in a photovoltaic system.
- Always use the same type of solar panel in a particular photovoltaic system.
- Under normal operating conditions, solar panels will produce currents and voltages that may vary from those listed in the data sheet. Data sheet values are applicable at standard test conditions only.

General Operation Notes

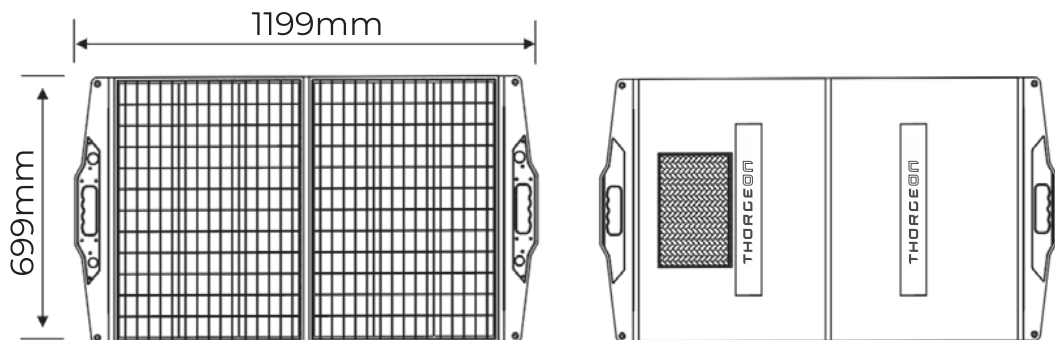
- Do not stand or step on the solar panel.
- Do not drop the solar panel or allow objects to fall on the solar panel.
- Do not place any heavy objects on the solar panel.

PRODUCT OVERVIEW

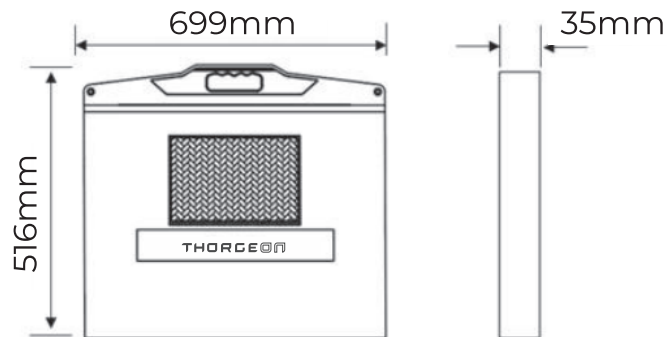
100W Foldable Solar Panel 17001

THORGEON® solar panels are made of monocrystalline solar cells in series with high efficiency, high transmission rate, and anti-aging EVA. They are designed for easy use, extended longevity, and portable operation.

Unfolded View of the 100W Foldable Solar Panel:



Folded View of the 100W Solar Panel:



Specifications

Maximum Power (Pmax)	100W
Max Power Voltage (Vmp)	19.8V
Max Power Current (Imp)	5.05A
Open Circuit Voltage (Voc)	23.7V
Short Circuit Current (Isc)	5.30A
Cell Efficiency	22%
Cell Type	Monocrystalline
Power tolerance	± 10%
Temperature Co-efficient (Power)	-0.45%/K
Temperature Co-efficient (Voltage)	-0.32%/K
Temperature Co-efficient (Current)	+0.02%/K
NOCT (Air 20°C, Sun 0.8kW/m ² , Wind 1m/s)	45±2°C
Weight (Includes Accessory Items)	5.1kg/ (11.2lbs)
Operation Temperature	-4°F to 149°F (-20°C to 65°C)
IP Rating	IP65

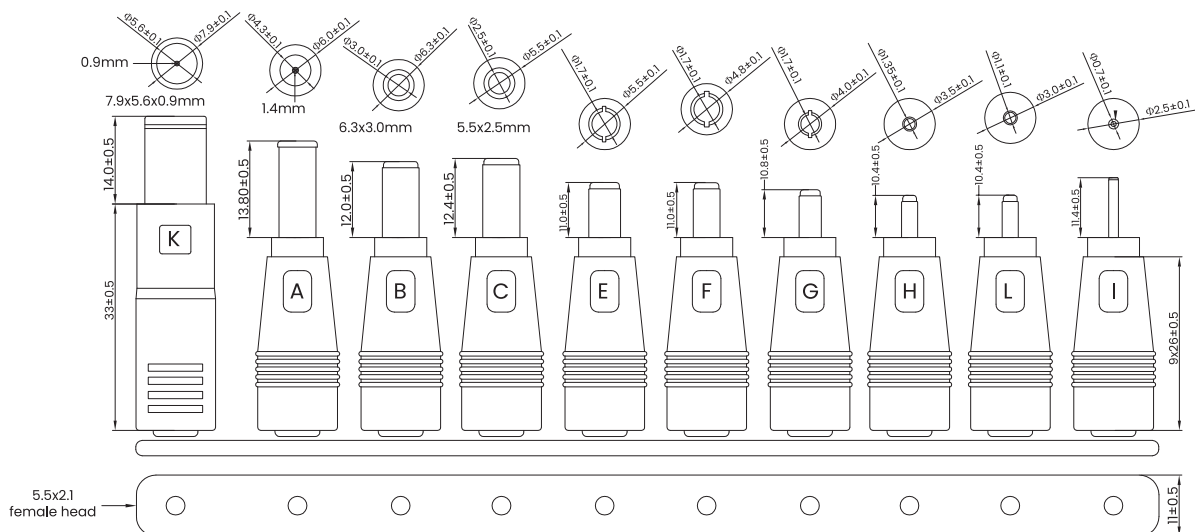
Cables

- Passed conduction test, there was no short circuit, open circuit, dislocation, etc.
- Cables are free of dirt, scratches, damage, color difference or other defects.
- All materials meet RoHS environmental standards.

Specifications

Category	Location	Description	Cable Length	Wire Specification	Remark
Output Ports	From junction box	Suspension line of USB 2.0	3' (3M)	16AWG	Connected
		Type C (PD 60W)	/	/	Built In
		DC 5521			
		USB 3.0			
		LED Indicator			
Accessories	/	Cable with DC 5521 male connectors	10' (3 M)	16AWG	/
		10-in-1 interchangeable-connectors	/	16AWG	
		DC 5521 to alligator clip cable	1' (0.3 M)	16AWG	

Note: the specification of 10-in-1 interchangeable connectors is below



BEFORE USING

Make sure you have all the following items included in the package. If any item is damaged or missing, contact your dealer.

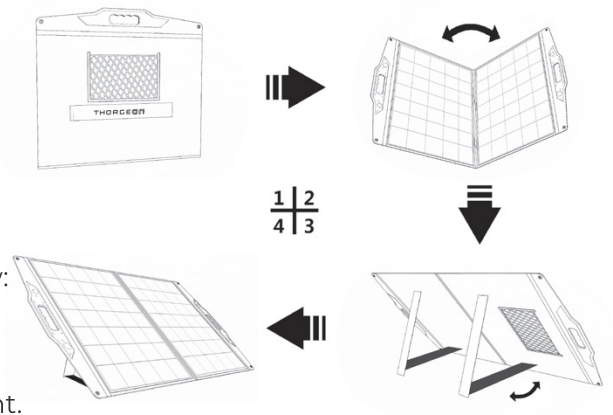
What's in the Box

- 1 x 100W Foldable Solar Panel
- 1 x 10' (3M) cable with DC 5521 male connectors
- 1 x 10-in-1 interchangeable connectors
- 1 x 1' (0.3M) DC 5521 to alligator clip cable
- User Manual

OPERATION

Installation

1. Remove the product from the box.
2. Unfold the portable solar panel:
 - Lift and lay flat the portable solar panel;
 - Unfold the two sides of the panel.
3. Support the portable solar panel like the diagram below:
 - Prop up the stands of the portable solar panel;
 - Stand the panels with locked legs on a flat surface.
4. Adjust the face of the portable panel toward the sunlight.



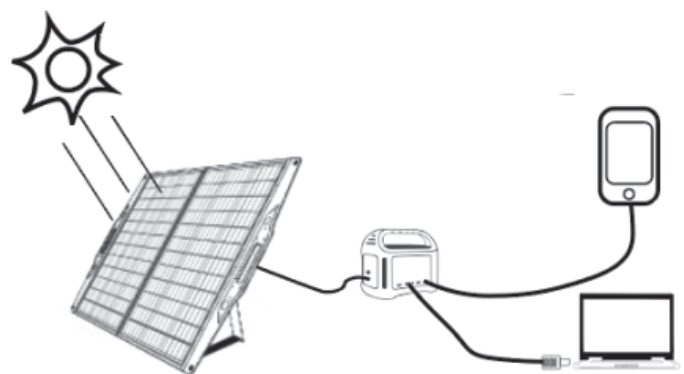
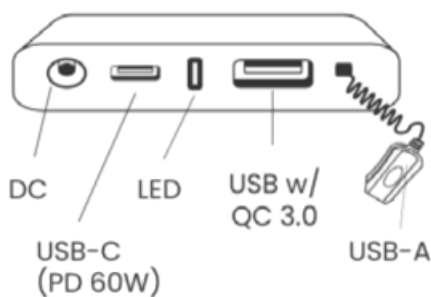
Choose the location

- Choose a flat location to place the solar panel.
- Place the solar panel in an open location. Make sure the panel can be exposed to the sun directly and avoid any shadow on the surface.
- Make sure the angle between panel and the sunlight is close to 90 degrees.

System Connection

- Connect the solar panel to the power station directly.
- Connect the power station to the electronic equipment, like phone, iPad, laptop and so on.

Output Ports



LED Indicator

- Red Light – panel exposed to sun light
- Green Light - after connect electronic equipment to the type C output port

Note: The electronic equipment can also be charged using solar panel output ports: USBs, DC port or Type-C, while there is no power station.

MAINTENANCE

- Clean the surface of the solar panel when needed. Always use a soft sponge or cloth for cleaning. A mild, non-abrasive cleaning detergent may be used to remove stubborn dirt. Don't clean when the panel surface is hot.
- Clean solar panels more frequently during drier months, as they may become covered in dust more quickly. A pressure washer is not recommended.
- Caution: Observe the maintenance instructions for all components used in the system, such as support frames, charge controller, batteries, etc.

WARRANTY STATEMENT

THORGEON® warrants to the original consumer purchaser that the THORGEON® product will be free from defects in workmanship and material under normal consumer use during the applicable warranty period identified in the 'Warranty Period' section below, subject to the exclusions set forth below. This warranty statement sets forth THORGEON® total and exclusive warranty obligation. We will not assume, nor authorize any person to assume for us, any other liability in connection with the sale of our products.

Warranty Period:

The warranty period is 24 months. In each case, the warranty period is measured starting on the date of purchase by the original consumer purchaser. The sales receipt from the first consumer purchase, or other reasonable documentary proof, is required in order to establish the start date of the warranty period.

Remedy:

THORGEON® will repair or replace (at THORGEON® option) any THORGEON® product that fails to operate during the applicable warranty period due to defect in workmanship or material. If a valid claim is made during the applicable period, THORGEON®, at its option, will either (1) replace the product, or (2) exchange the product with a product that is of equal value. A replacement product assumes the remaining warranty of the original product or 60 days from the date of replacement, whichever is greater. Customer is responsible for the return shipping costs.

Limited to Original Consumer Buyer:

The warranty on THORGEON® products is limited to the original consumer purchaser.

Exclusions:

THORGEON® warranty does not apply to (I) any product that is misused, abused, modified, damaged by accident, or used for anything other than normal consumer use as authorized in THORGEON® current product literature, or (II) any product purchased through an online auction house.

How to Receive Service:

To obtain warranty service, you must contact our customer service team. If our customer service team determines that further assistance is required, they will give you a Return Material Authorization ("RMA") number and will provide you with return instructions. You must properly package the product, clearly marking the RMA number on the package and including proof of your purchase date with the product.