

PRODUCT DATASHEET

TRACK SP D85 35 W 3000 K 90RA NFL WT

TRACKLIGHT SPOT D85 35W | 3-phase tracklight spot with integrated control gear, medium wattage



Areas of application

- Direct replacement for luminaires using HID lamps
- Accent lighting
- Fashion shops, accessories shops
- Retail
- Hotels, restaurants, shops

Product benefits

- Included 3-phase adapter compatible with common tracks (GLOBAL, EUTRAC, POWERGEAR, STAFF, NORLUX, NUCO, NORDIC)
- Deep reflector and black antiglare ring for minimized glare (UGR < 16)
- Reflector easily replaceable thanks to bayonet catch and rubber suction pad
- No distraction of attention from the illuminated objects thanks to reduced design
- Low flicker light thanks to special electronic control gear
- 5 years guarantee

Product features

- Compact tracklight spot with integrated control gear
- Rotation angle: 350°, tilt angle: 90°
- Luminaire efficacy: up to 80 lm/W
- Available with color temperature 3000 K or 4000 K



- Very good color rendering index R_a : > 90
- Color rendering index R_a9 : > 50
- Initial color consistency: ≤ 3 SDCM
- Equipped with reflectors with 24° beam angle
- Follows the unified LEDVANCE design language (SCALE design)
- Robust die-cast aluminum housing
- Available in matt white (like RAL9016), matt black (like RAL9004) and concrete grey (like RAL7042)

TECHNICAL DATA

Electrical data

Nominal wattage	35.00 W
Nominal voltage	220...240 V
Mains frequency	50...60 Hz
Nominal current	150 mA
Inrush current time T_{h50}	< 4 μ s
Max. number of luminaires per miniature circuit breaker B16	32
Max. number of luminaires per miniature circuit breaker C10	26
Max. number of luminaires per miniature circuit breaker C16	41
Power factor λ	≥ 0.90
Total harmonic distortion	< 15 %
Protection class	I
Operating mode	Integrated LED driver

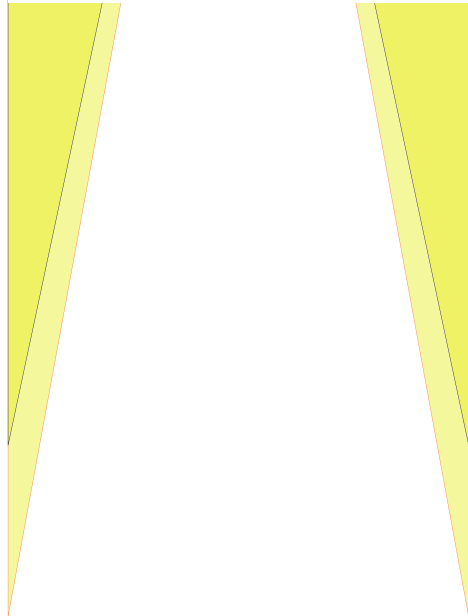
Photometrical data

Luminous flux	2660 lm
Luminous efficacy	70 lm/W
Color temperature	3000 K
Light color (designation)	Warm White
Color rendering index Ra	90
Standard deviation of color matching	≤ 3 sdc _m
Luminous intensity	-
Low flicker	Yes
Flickering metric (Pst LM)	-
Stroboscope effect metric (SVM)	-
Photobiological safety group acc. to EN62778	RG1
Beam angle	24 °

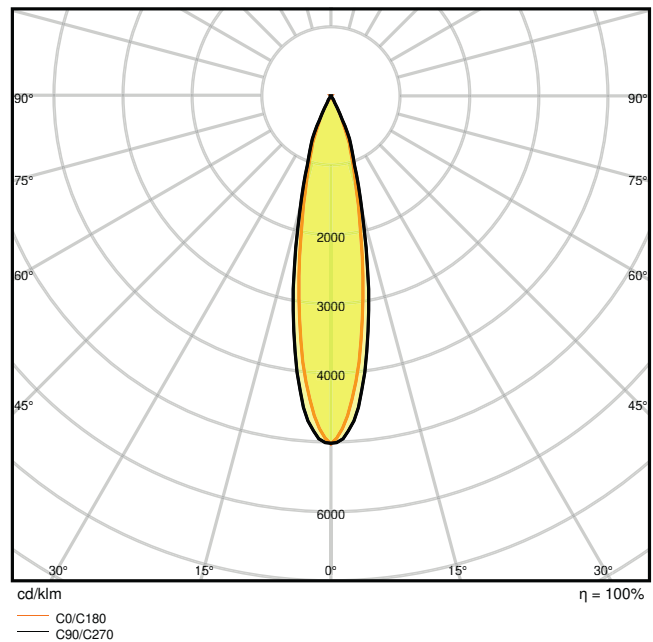
0.5	0.21 0.18	E(0°) E(C90) 12.0° E(C0) 10.4°	52290 24563 25085
1.0	0.43 0.37	E(0°) E(C90) 12.0° E(C0) 10.4°	13073 6141 6271
1.5	0.64 0.55	E(0°) E(C90) 12.0° E(C0) 10.4°	5810 2729 2787
2.0	0.85 0.73	E(0°) E(C90) 12.0° E(C0) 10.4°	3268 1535 1568
2.5	1.06 0.92	E(0°) E(C90) 12.0° E(C0) 10.4°	2092 983 1003
3.0	1.28 1.10	E(0°) E(C90) 12.0° E(C0) 10.4°	1453 682 697

Distance [m] Cone diameter [m] Illuminance [lx]

— C0/C180 (Half beam angle [°]: 20.8°)
— C90/C270 (Half beam angle [°]: 24.0°)



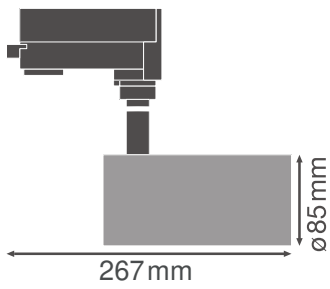
TRACK SP D85 35W3000K 90RA NFL WT



TRACK SP D85 35W3000K 90RA NFL WT

Dimensions & Weight

Diameter	85.00 mm
Height	269.00 mm
Product weight	1020.00 g



TRACK SP D85 BK

Materials & Colors

Product color	White
Housing color	White
Body material	Aluminum
Cover material	Polymethylmethacrylate (PMMA)
Light emitting surface material	Polycarbonate (PC)
Glow Wire Test according to IEC 60695-2-12	650 °C
Mercury content	0.0 mg

Application & Mounting

Ambient temperature range	-20...+40 °C
Type of connection	Adapter, 3-phase
Type of protection	IP20
Protection class IK (shock resistance)	IK02
Dimmable	No
Mounting type	Surface
Mounting location	Mounting track
Application environment	Indoor
Adjustable	Yes

Lifespan

Lifespan L70/B50 at 25 °C	50000 h ¹⁾
Lifespan L80/B10 at 25 °C	45000 h ¹⁾
Lifespan L80/B50 at 25 °C	45000 h
Lifespan L90/B10 at 25 °C	30000 h

Number of switching cycles	50000
----------------------------	-------

1) t[h]: L70 / B50 @ 25 °C (Ta), t[h]: L80 / B10 @ 25 °C (Ta), t[h]: L90 / B10 @ 25 °C (Ta)

Control gear

Output current	900 mA
ECG - Output ripple current	< 10 %









Certificates & Standards







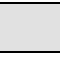



Standards	CE / CB / ENEC / TÜV SÜD / EAC / RoHS
Luminaire with limited surface temperature, "D sign"	No
Ball shot safe	No
Replaceable light source (EPREL)	Not replaceable

EQUIPMENT / ACCESSORIES

– Accessory reflectors with 15° or 38° beam angle available

DOWNLOAD DATA

Documents and certificates		Document name
	User instruction / safety instructions	UI Tracklight Spot
	On-Pack-Info	Legal Insert Tracklight
	Legal information	LS Insert TRACK SP D
	Legal information	TRACKLIGHT SPOT
	Legal information	Informationstext 18 Abs 4 ElektroG
	Declarations of conformity	Attestation-of-Conformity Track SP TÜV
	Declarations of conformity	Attestation-of-Conformity Track SP LEDV
	Declarations of conformity UKCA	TRACK SP

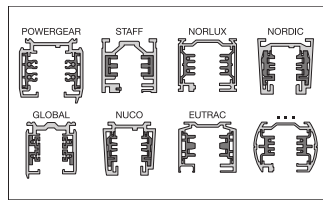
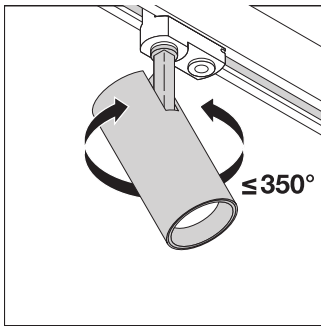
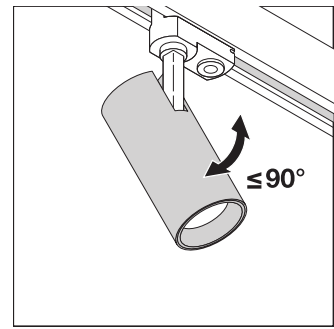
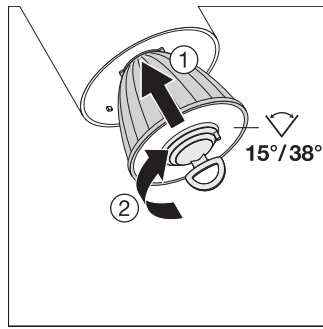
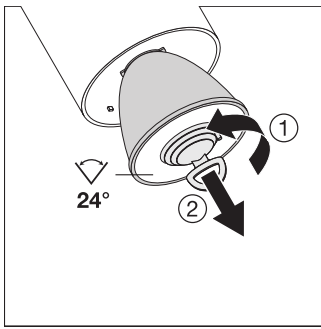
Photometric and lighting design files		Document name
	IES file (IES)	TRACK SP D85 35W3000K 90RA NFL WT
	LDT file (Eulumdat)	TRACK SP D85 35W3000K 90RA NFL WT
	ULD file (DIALux)	TRACKLIGHTSPOTD8535W35W3000K90RANFLWT
	ROLF file (RELUX)	TRACK SP D85
	UGR file (UGR table)	TRACK SP D85 35W3000K 90RA NFL WT
	Light distribution curve type cone	TRACK SP D85 35W3000K 90RA NFL WT
	Light distribution curve type polar	TRACK SP D85 35W3000K 90RA NFL WT
CAD/BIM files		Document name
	BIM Revit 3D	TRACKLIGHT SPOT
	CAD STEP 3D	TRACK SP D85
Tender texts		Document name
	Tender documents	TRACKLIGHT SPOT D85 35W 35 W 3000 K 90RA NFL WT-EN

LOGISTICAL DATA

Product code	Packaging unit (Pieces/Unit)	Dimensions (length x width x height)	Gross weight	Volume
4058075113480	Folding box 1	120 mm x 120 mm x 300 mm	1141.00 g	4.32 dm ³
4058075113497	Shipping box 4	502 mm x 137 mm x 335 mm	4882.00 g	23.04 dm ³

The mentioned product code describes the smallest quantity unit which can be ordered. One shipping unit can contain one or more single products. When placing an order, for the quantity please enter single or multiples of a shipping unit.

ADDITIONAL CATALOG INFORMATION



References / Links

– For Guarantee see www.ledvance.com/guarantee

DISCLAIMER

Subject to change without notice. Errors and omission excepted. Always make sure to use the most recent release.