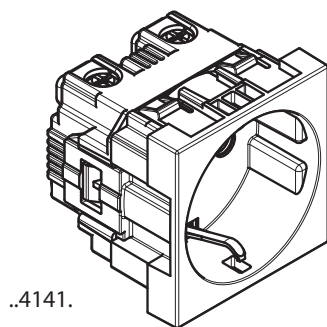
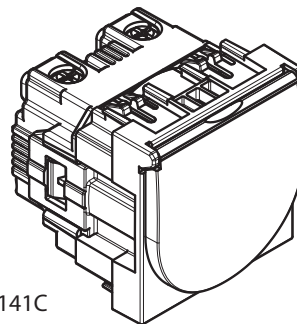


Classia
Socket outlet - German standard

RW4141 - RG4141 - RA4141 - R4141R
RW4141P - RG4141P - RA4141P
R4141A - R4141V
RW4141C - RG4141C



..4141.



..4141C

Use

Socket outlets for: German standard plugs.

Range

Designation

Item

Socket 2P+E 16A 250 Va.c. - socket with earth side contacts - shielded tulip contacts

- RW4141.
- RA4141.
- RG4141.
- R4141R
- R4141A
- R4141V

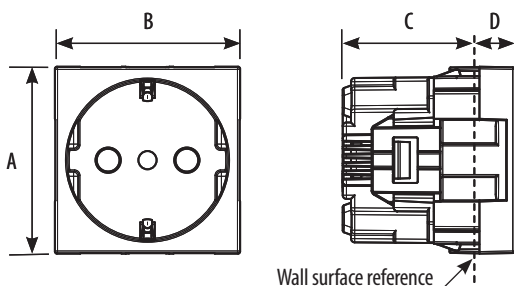
Socket 2P+E 16A 250 Va.c. - socket with earth side contacts - shielded tulip contacts with IP20 Flap

- RW4141C
- RG4141C

Color code:

- White colour
- Aluminum colour
- Black colour
- Orange colour
- Green colour
- Red colour

Overall dimensions (mm)



	A	B	C	D
..4141.	45.1	44.7	31.7	9.8
..4141C	45.1	44.7	31.7	13.3

Connection

Terminal type: screw clamp
 Terminal capacity: 2 x 4 mm² max
 Stripping length: 11 mm
 Compatible with flexible or rigid cables

Technical characteristics

- Protection index**
 (considering a complete installation, including cover plate)
 Penetration by solid bodies/liquid: IP20D
- Mechanical characteristics**
 Impact test: IK 04
- Material characteristics**
 Case and Key cover: PC (Polycarbonate)
 Halogen free.
 UV resistant.
 Self-extinguishing:
 850° C / 30 s for insulating parts holding live parts in place
 650° C / 30 s for other parts made of insulating materials
- Electrical characteristics**
 Voltage: 250 VAC
 Current: 16 A
- Climatic characteristics**
 Storage temperature: - 10° C to + 70° C
 Use temperature: - 5° C to + 35° C

Cleaning

Clean the surface with a cloth.
 Do not use acetone, tar-removing cleaning agents or trichloroethylene.
Caution: Always test before using special cleaning products.

Standards and approvals

Compliance with standards IEC 60884-1.
 Refer to e.catalogue.