



HF-Essential II for TL5/TL-D

HF-E II 236 TL-D 220-240V 50/60Hz

Essentially smart and reliable. HF-Essential II is the most cost-effective solution for reliably operation of a fluorescent lamp. It is also the ideal entry-level product for electromagnetic system users who want to take advantage of the benefits provided by electronic ballasts. The cost-saving and reliable HF-Essential II is energy efficiency class A2, and its robust design meets all relevant international safety and performance standards. HF- Essential II is the ideal choice for a broad range of new construction and retrofit applications within the commercial sector, including general surface mounting and office lighting, parking garages, warehouses and other applications. The ballast is primarily designed for Indoor application. For outdoor application, the luminaire should be minimum Classland need to be sufficiently protected against water & dust. The installation should also be guard against any lightening surge or any other necessary electrical protection as deemed in such typical installation & application.

Product data

General Information		Number of Products on MCB (16A Type B) 16 (Nom)	
Number of Lamps	2 piece/unit		
Operating and Electrical		Wiring	
Input Voltage	220 to 240 V	Connector Type Input Terminals	Insert
Line Frequency	50 to 60 Hz	Connector Type Output Terminals	Insert
Input Frequency	50 to 60 Hz		
Earth Leakage Current (Max)	0.5 mA	Temperature	
Inrush Current Width	0.37 ms	Ambient temperature range	-10 °C to 50 °C
Inrush Current Peak (Max)	20 A	T-Case Lifetime (Nom)	80 °C
		T-Case Maximum (Max)	80 °C

HF-Essential II for TL5/TL-D

Mechanical and Housing

Housing L 211x40x28.7

Approval and Application

Ingress protection code IP20 [Finger-protected]

Energy Efficiency Index A2

Approval Marks CE marking CB Certificate KEMA Keur certificate RoHS Compliant

Product Data

Full product code 871829177058900

Order product name HF-E II 236 TL-D 220-240V 50/60Hz

Order code 913713041166

Numerator - Quantity Per Pack 1

Numerator - Packs per outer box 20

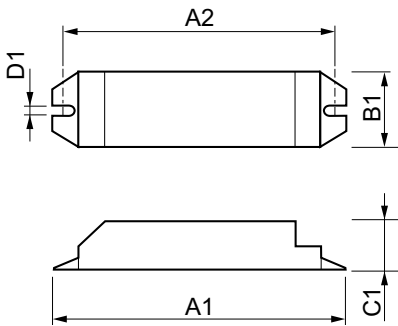
Material number (12NC) 913713041166

Full product name HF-E II 236 TL-D 220-240V 50/60Hz

EAN/UPC - Case 8718291770596



Dimensional drawing



Product	D1	C1	A1	A2	B1
HF-E II 236 TL-D 220-240V 50/60Hz	4.2 mm	28.7 mm	211.0 mm	198.0 mm	39.6 mm

