

SLI003002CW

SLI003002CW

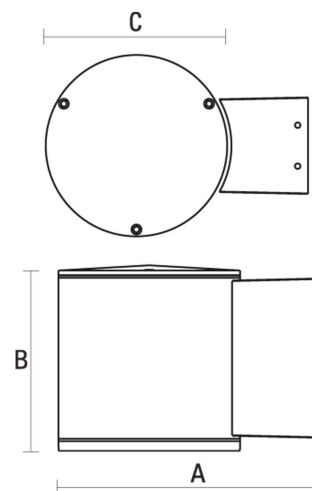
IP44



Power	15 W	Voltage	230 V
Colour temperature	6000 K	Colour of light	CW
Beam angle	15 °	Degree of protection (IP)	IP44

Technical data

Code	SLI003002CW
Power	15 W
Nominal current	120 mA
Voltage	230 V
Energy consumption	15 kWh/1000h
Frequency	50HZ Hz
Protection class	I
Power supply included	+
Luminous flux**	1020 lm (360°)
Lamp efficacy	68 lm/W
Colour temperature	6000 K
Colour of light	CW
Beam angle	15 °
RA	80
Uniformity of color SDCM max	5
Dimmable	No
Working temperature range	-20/+40 °
Lifespan	17000 h
Housing material	Aluminum
Degree of protection (IP)	IP44
Colour	Gray
Dimension (AxBxC)	252x200x175 mm
For use	Inside/Outside
Assembly method	On the ceiling
Application	INT/EXT
Made in	PRC



Related documents



 Declaration of Conformity



 Photometric file