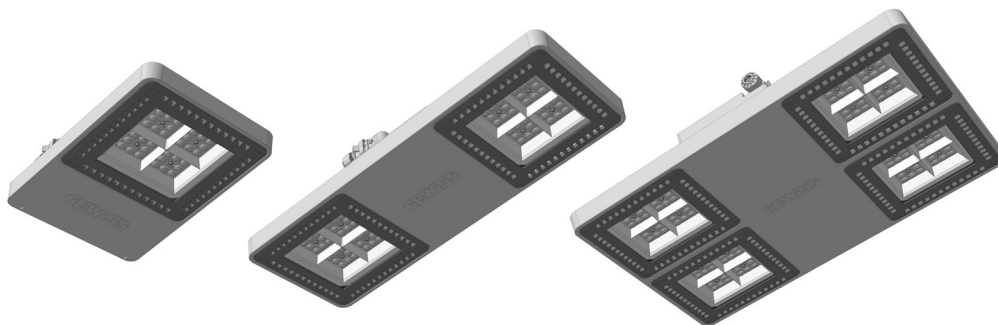
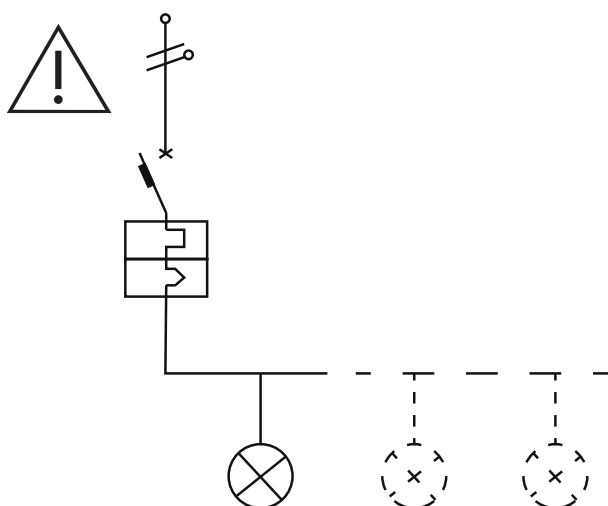


LOWBAY - HIGHBAY - FLOODLIGHTS

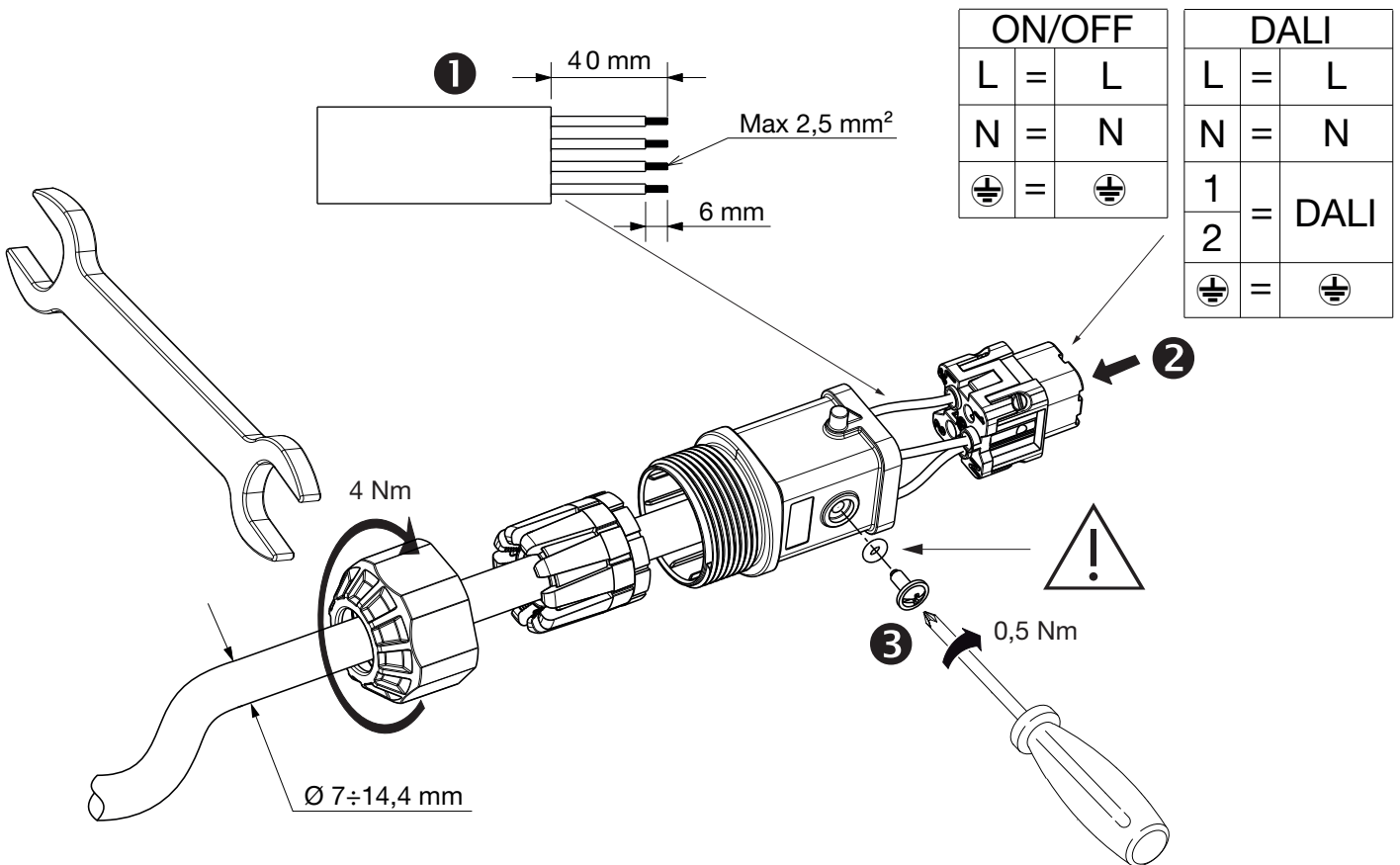
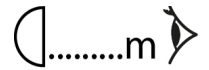


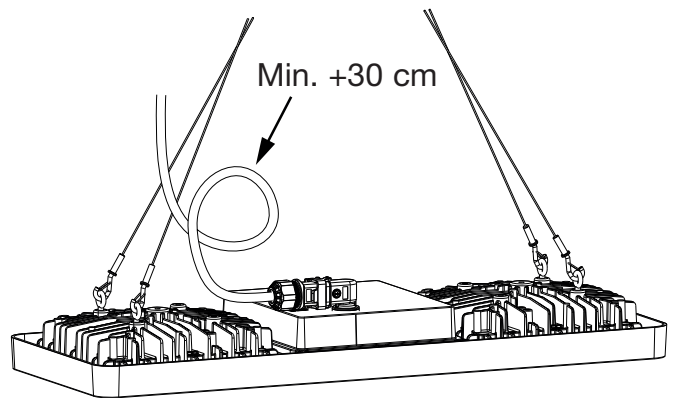
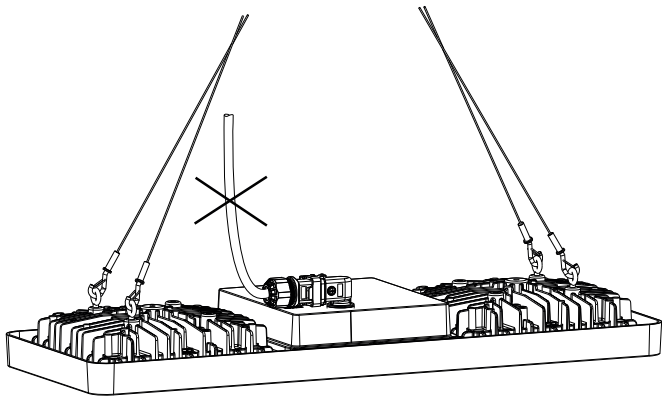
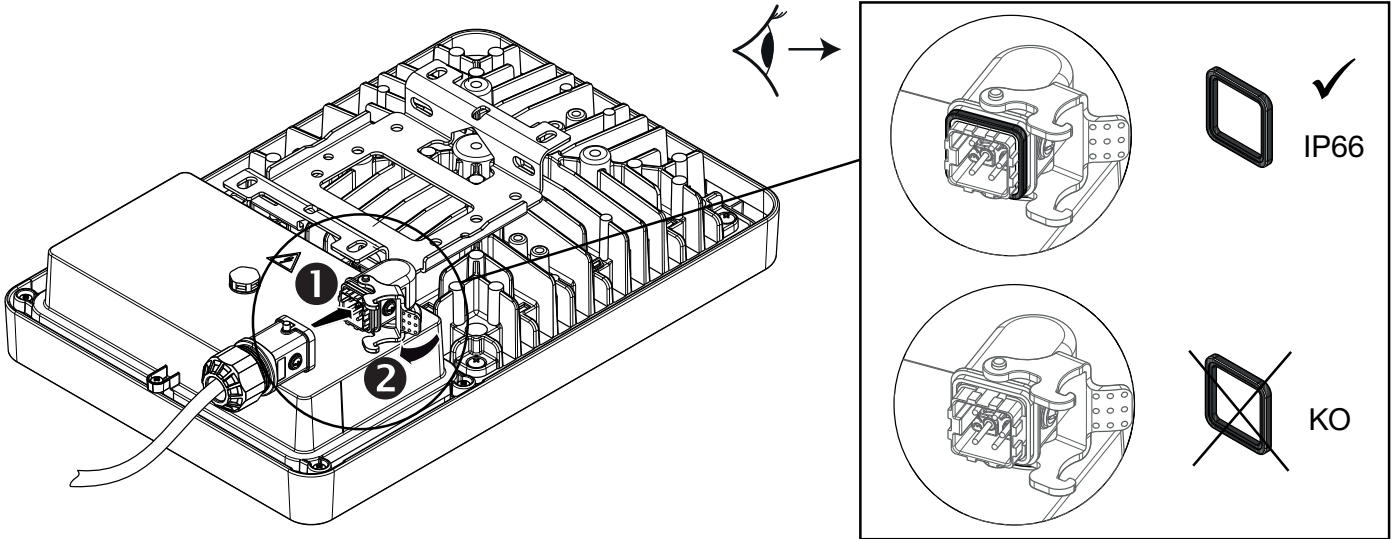
| | Kg | | |
|--|-----------|----------------------|----------------------|
| | 3,5 | 0,097 m ² | 0,029 m ² |
| | 6,5 | 0,184 m ² | 0,022 m ² |
| | 13,5 | 0,35 m ² | 0,045 m ² |



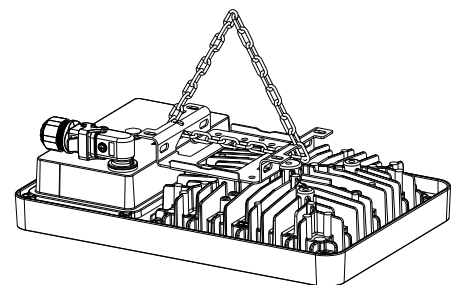
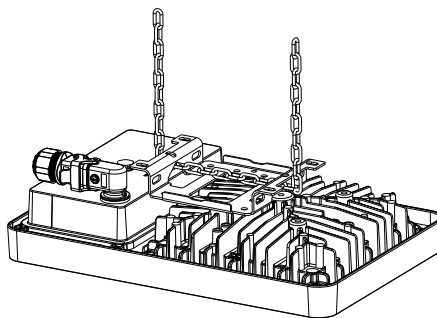
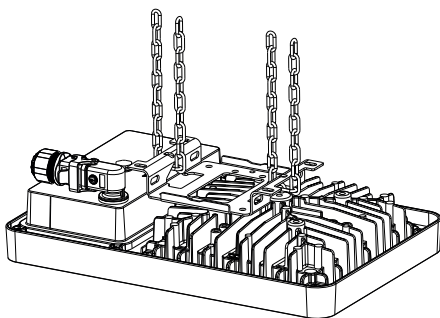
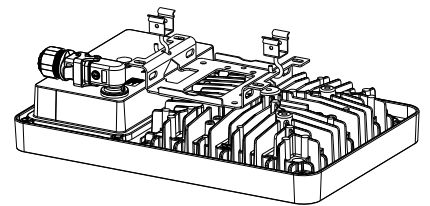
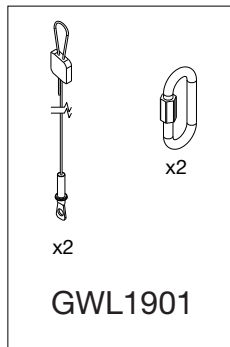
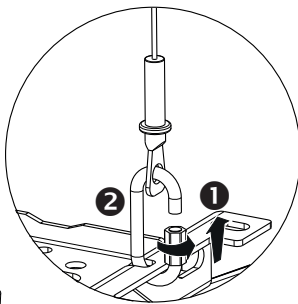
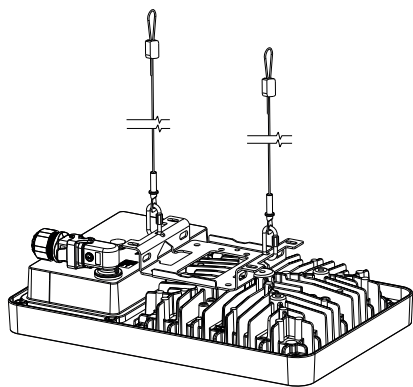
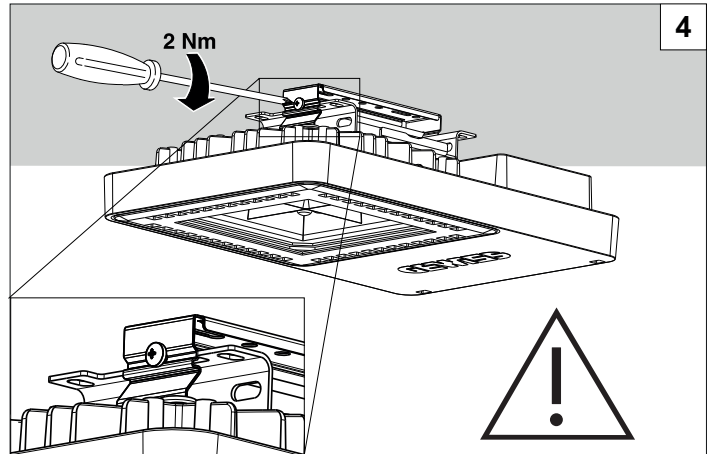
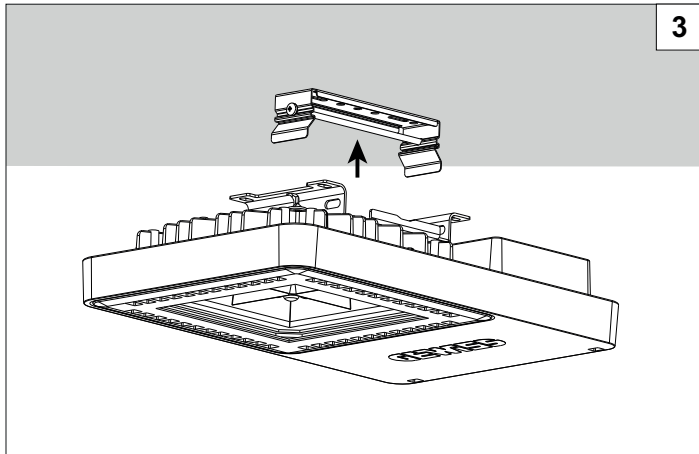
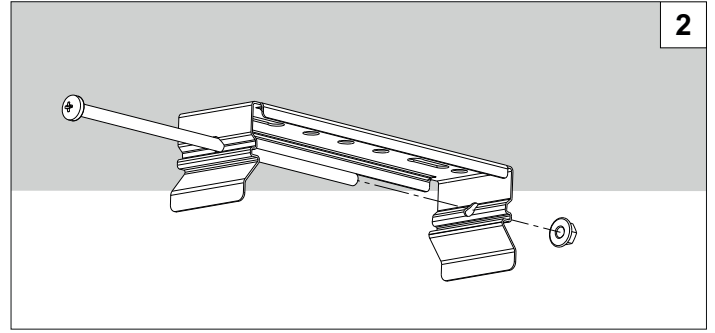
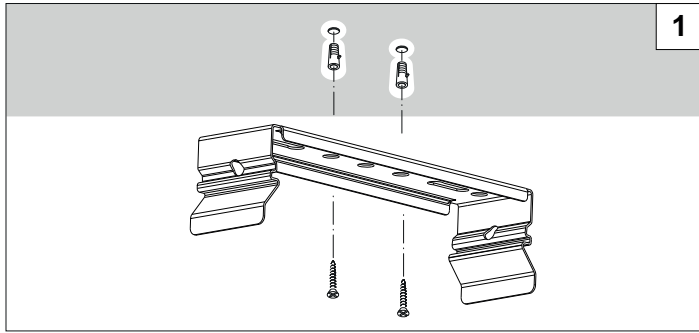
| MCB current | 10 A | 16 A | 20 A |
|--|------|------|------|
| Max number of SMART[4] (Type B) | | | |
| SMART[4] 1M | 12 | 19 | 24 |
| SMART[4] 2M | 12 | 19 | 24 |
| SMART[4] 4M | 6 | 9 | 12 |
| Max number of SMART[4] (Type C) | | | |
| SMART[4] 1M | 17 | 28 | 35 |
| SMART[4] 2M | 14 | 23 | 29 |
| SMART[4] 4M | 7 | 11 | 14 |
| Max number of SMART[4] (Type D) | | | |
| SMART[4] 1M | 20 | 32 | 40 |
| SMART[4] 2M | 16 | 26 | 33 |
| SMART[4] 4M | 8 | 13 | 16 |

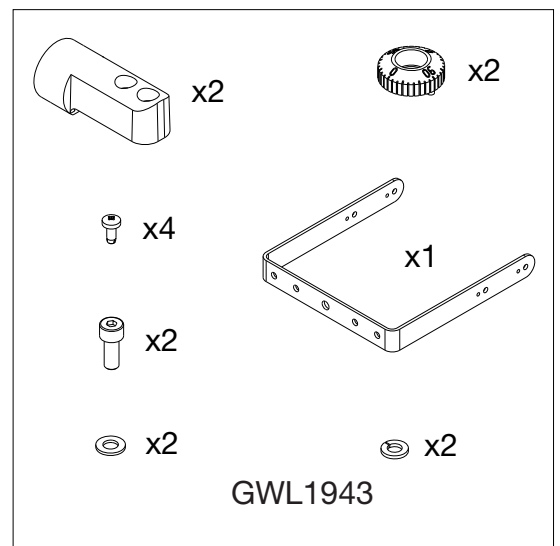
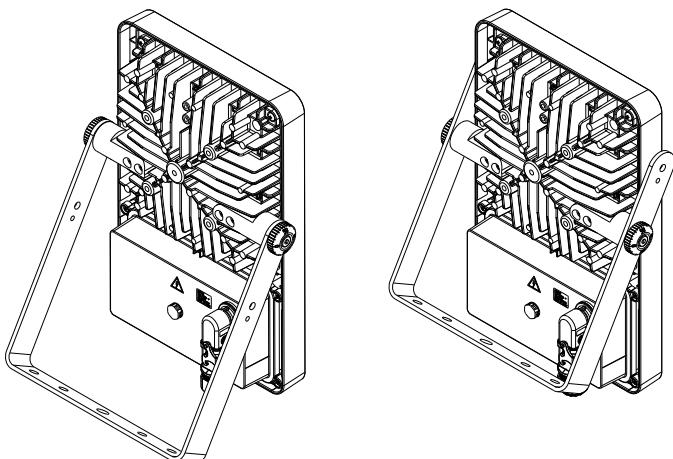
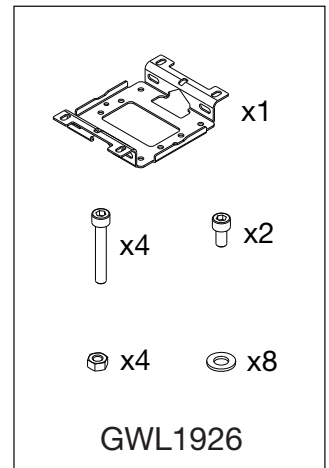
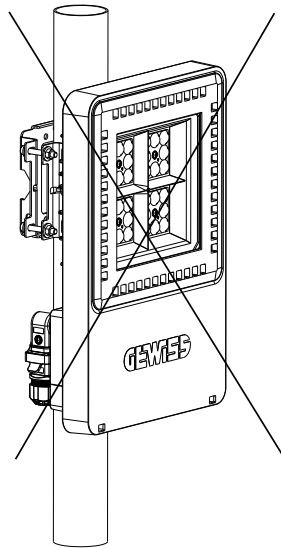
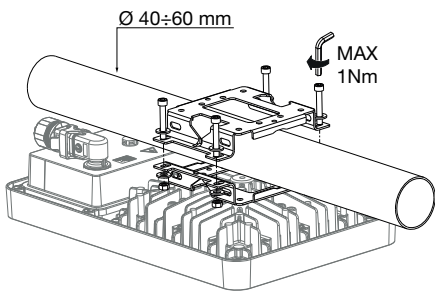
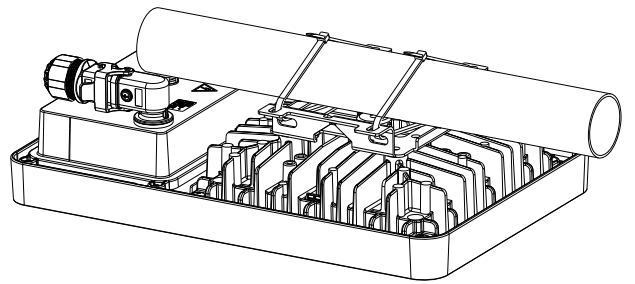
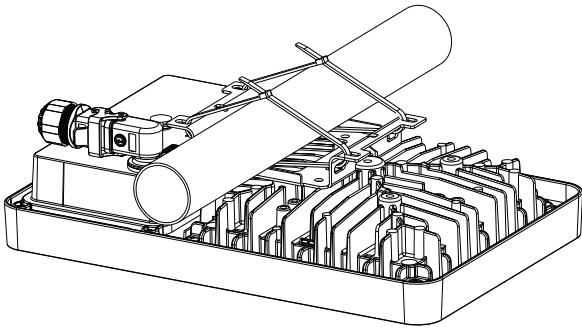
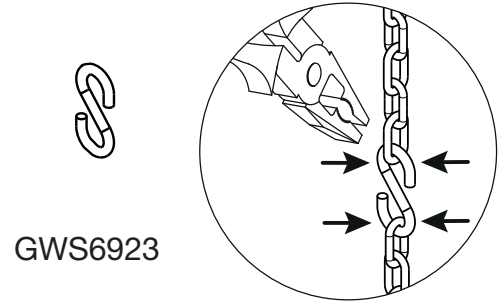
| LED CCT: | ≤ 6500 K | | |
|---------------------|-----------------------|-------------|------------------|
| | RG1: | RG0: | |
| | Smart[4] 1M / 2M / 4M | Smart[4] 1M | Smart[4] 2M / 4M |
| ARRAY | 100 cm | 400 cm | 575 cm |
| 90° | 50 cm | 450 cm | 600 cm |
| 60° | 100 cm | 500 cm | 700 cm |
| 30° | 20 cm | 850 cm | 1200 cm |
| ASYMMETRICAL | 20 cm | 350 cm | 475 cm |
| ELLIPTICAL | 75 cm | 425 cm | 600 cm |

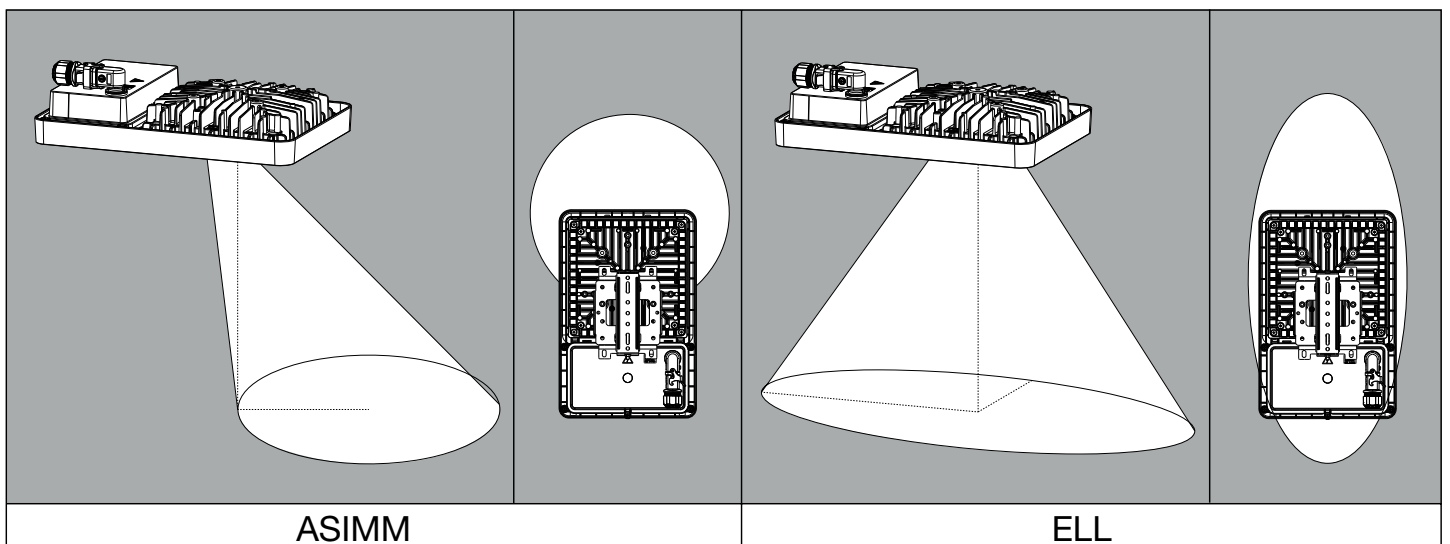
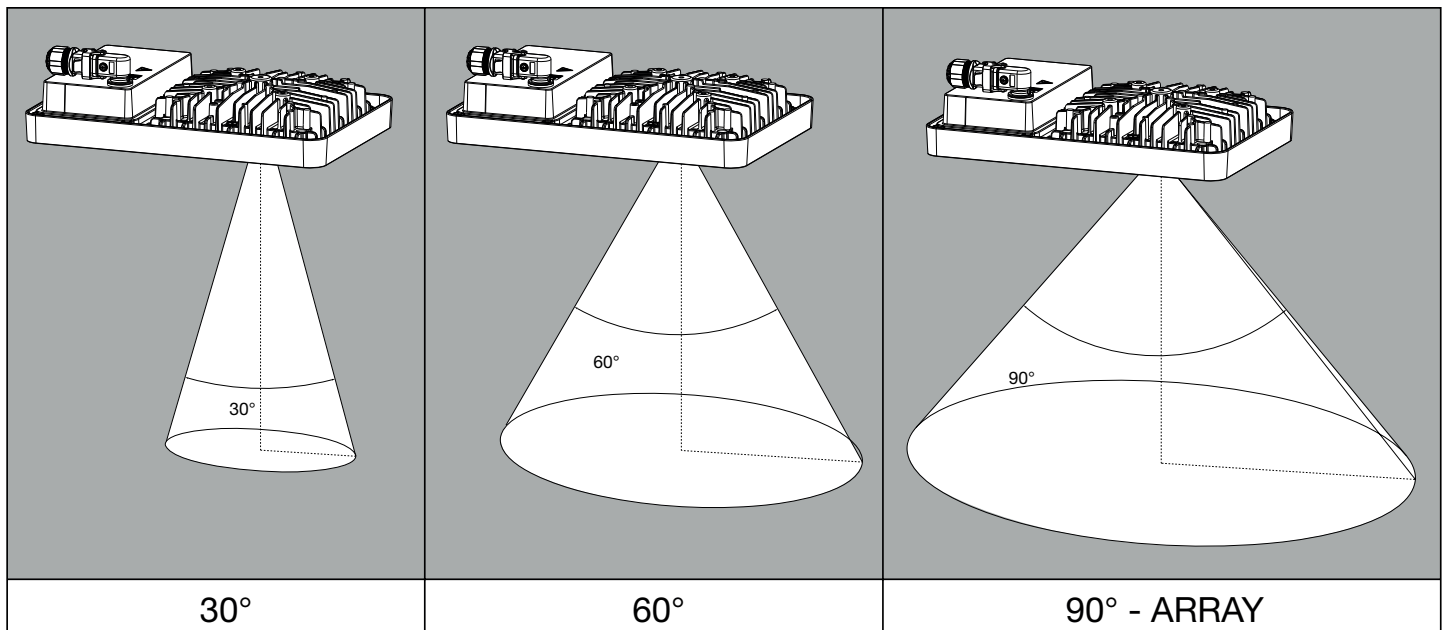
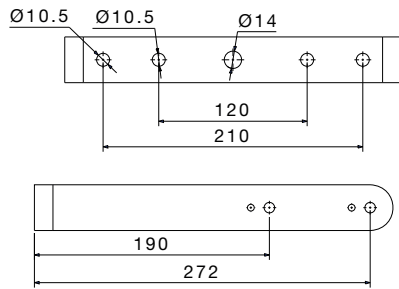
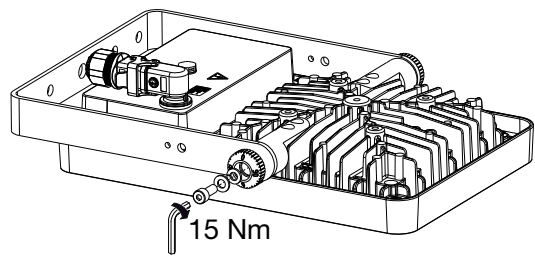
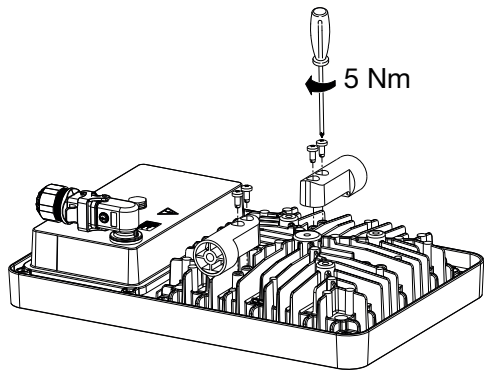




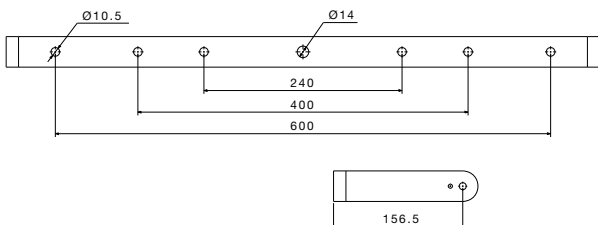
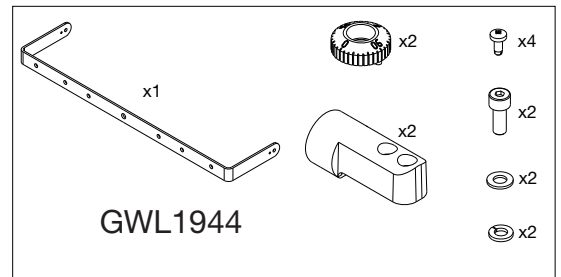
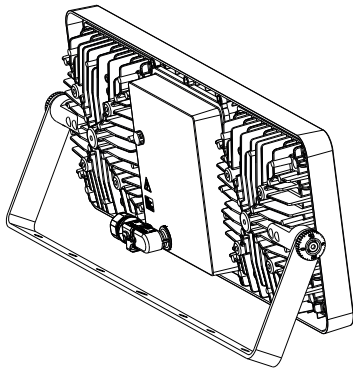
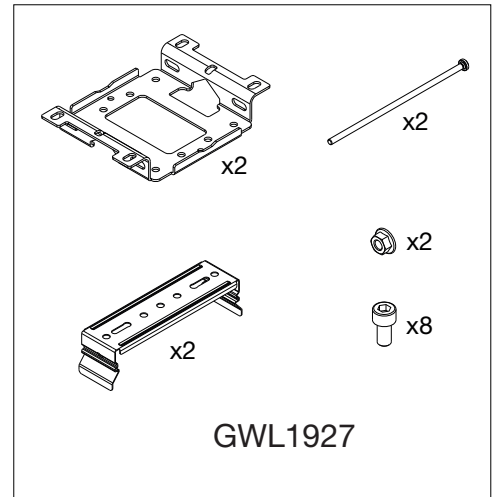
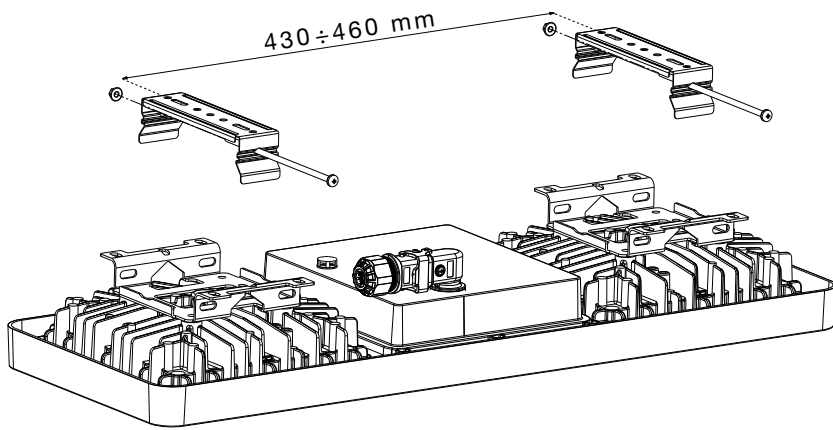
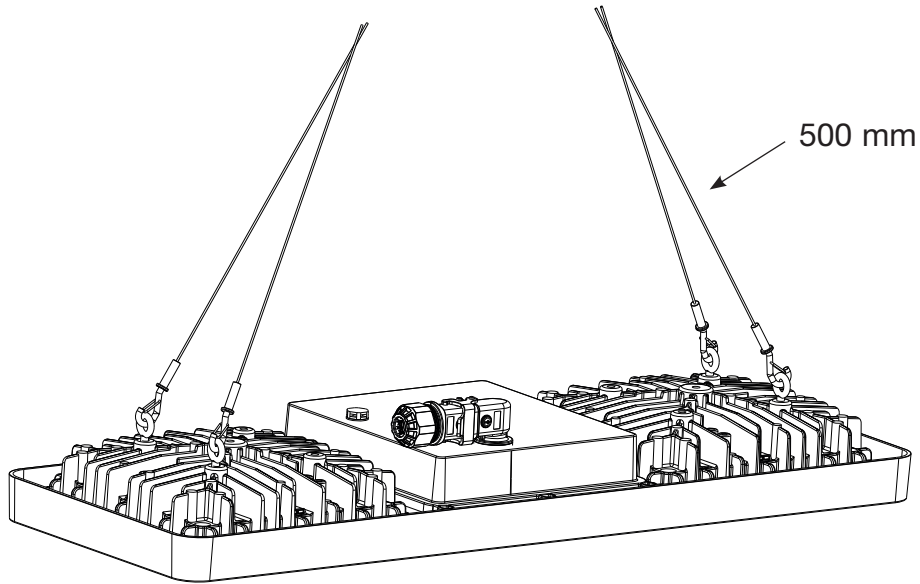
SMART[4] 1M

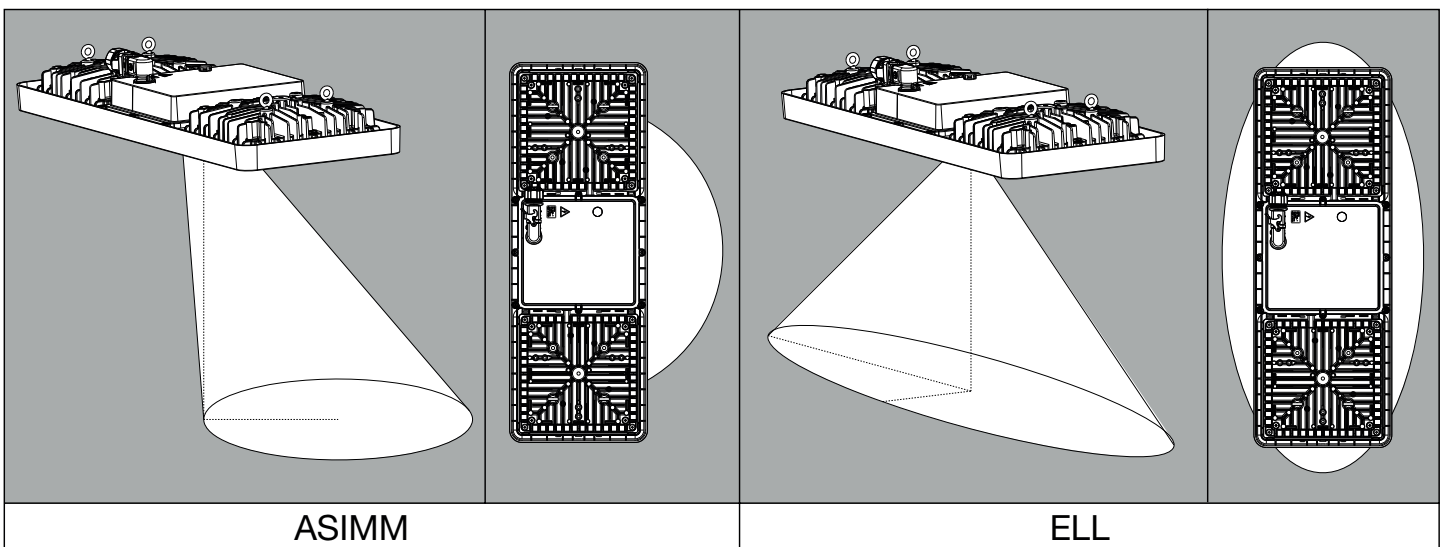
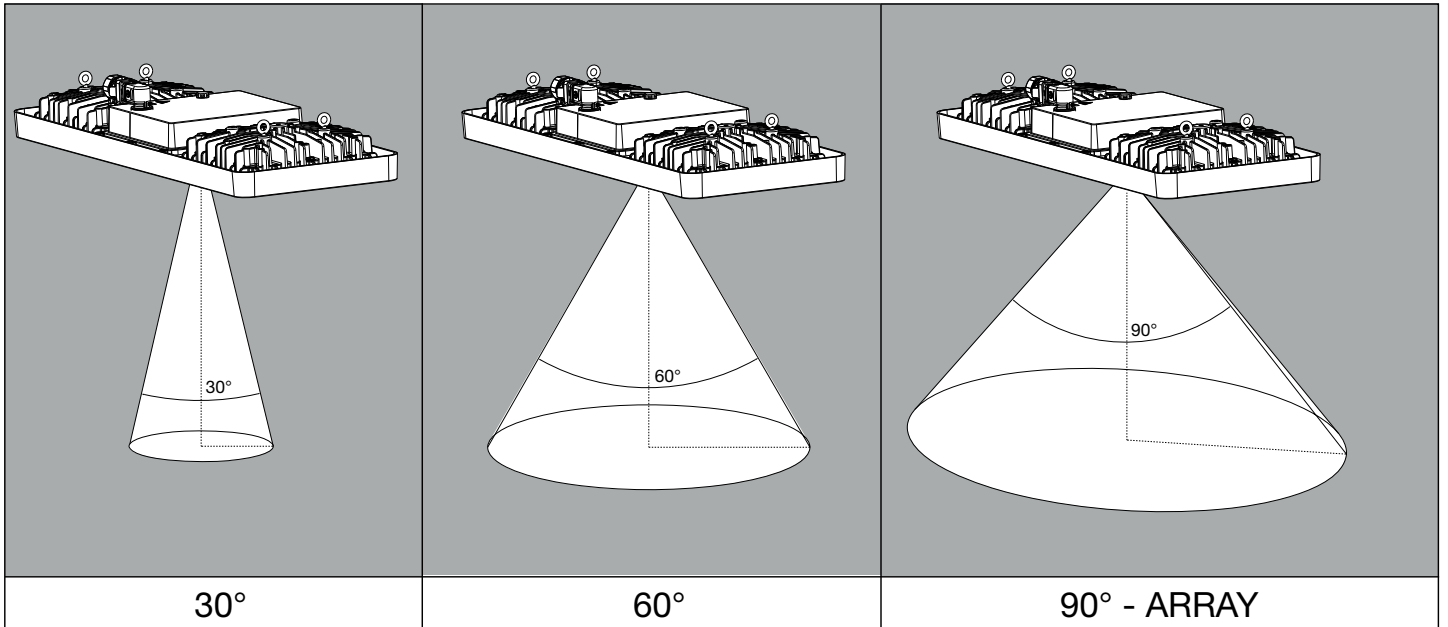
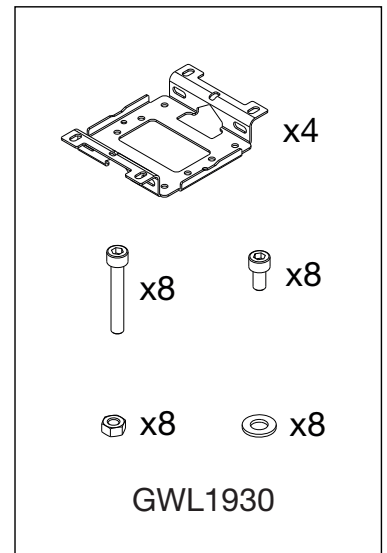
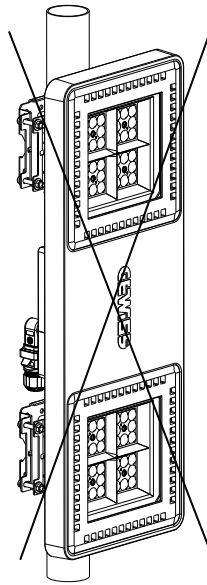
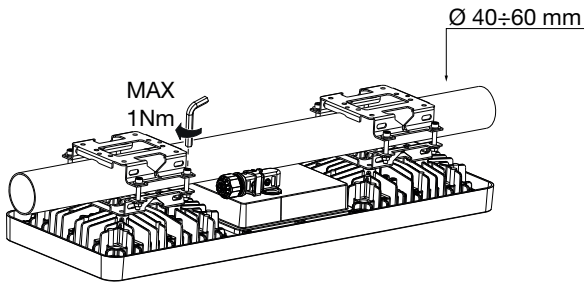




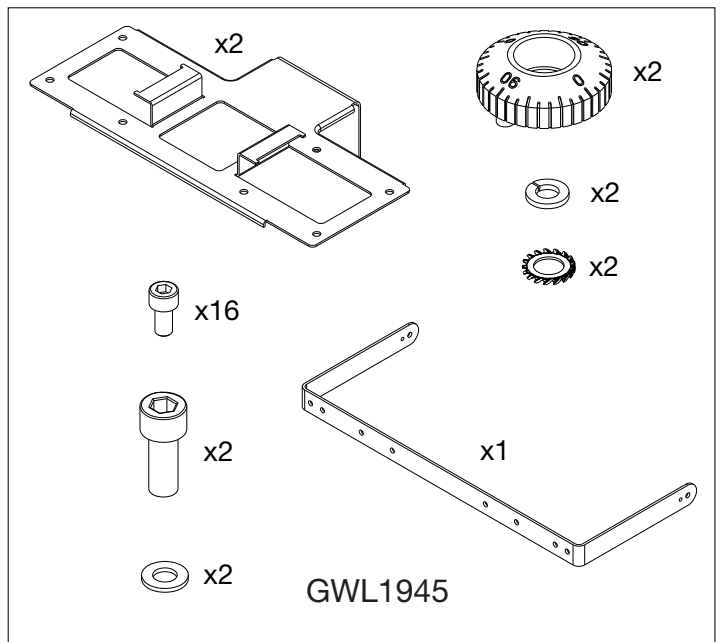
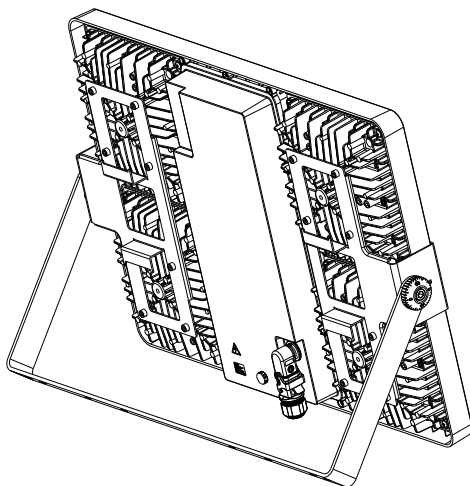
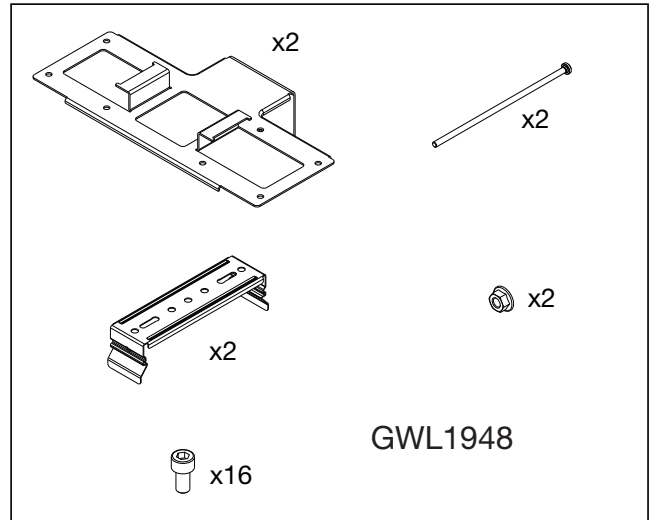
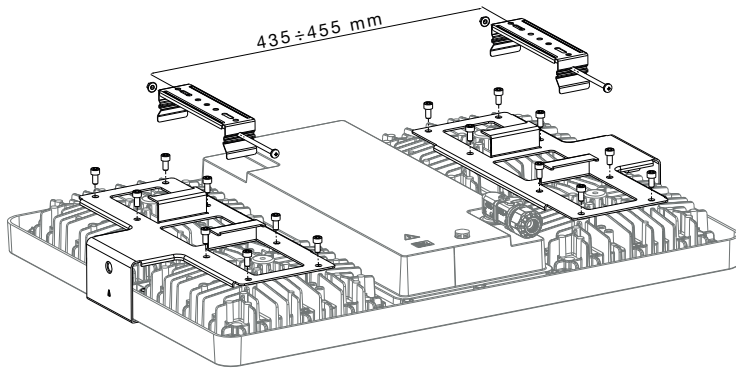
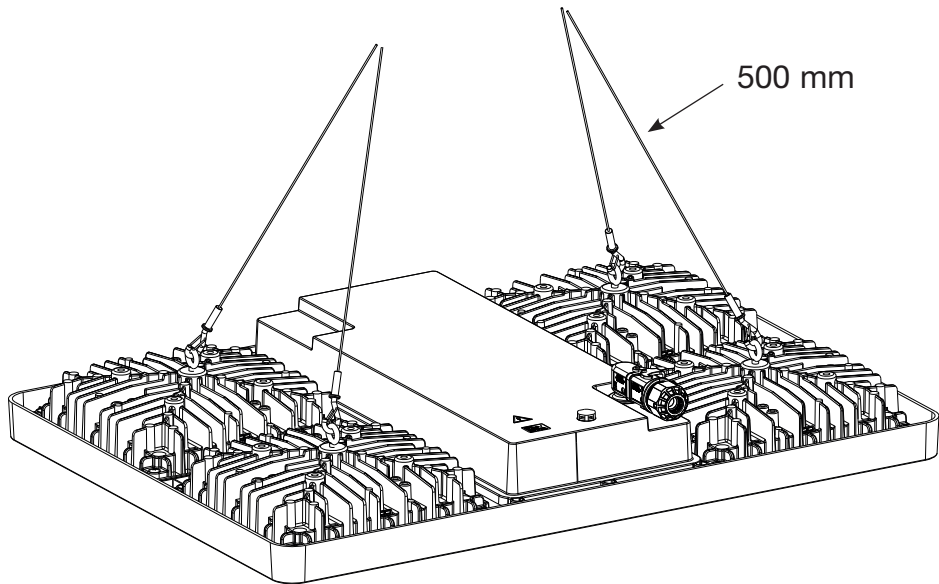


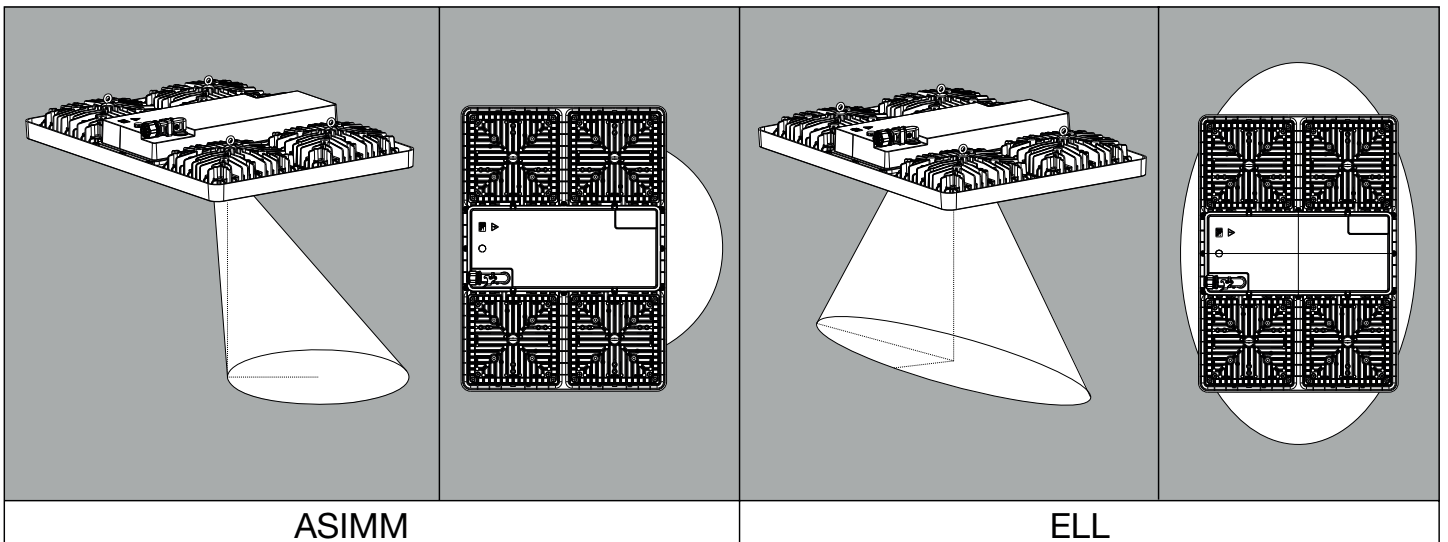
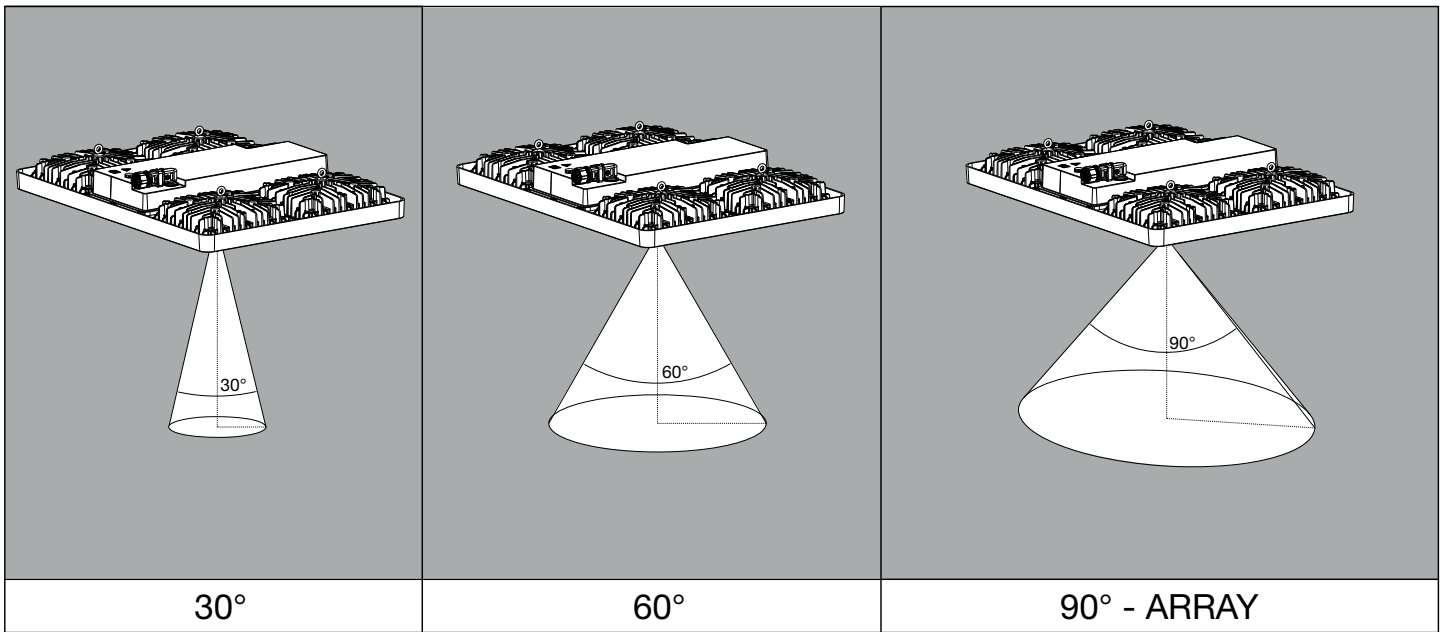
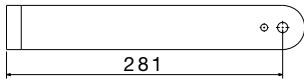
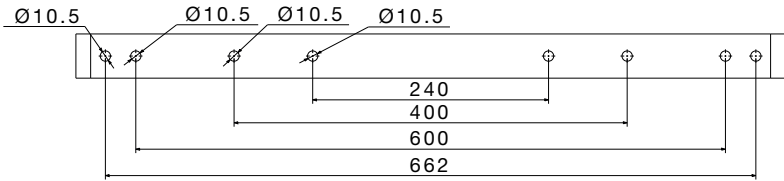
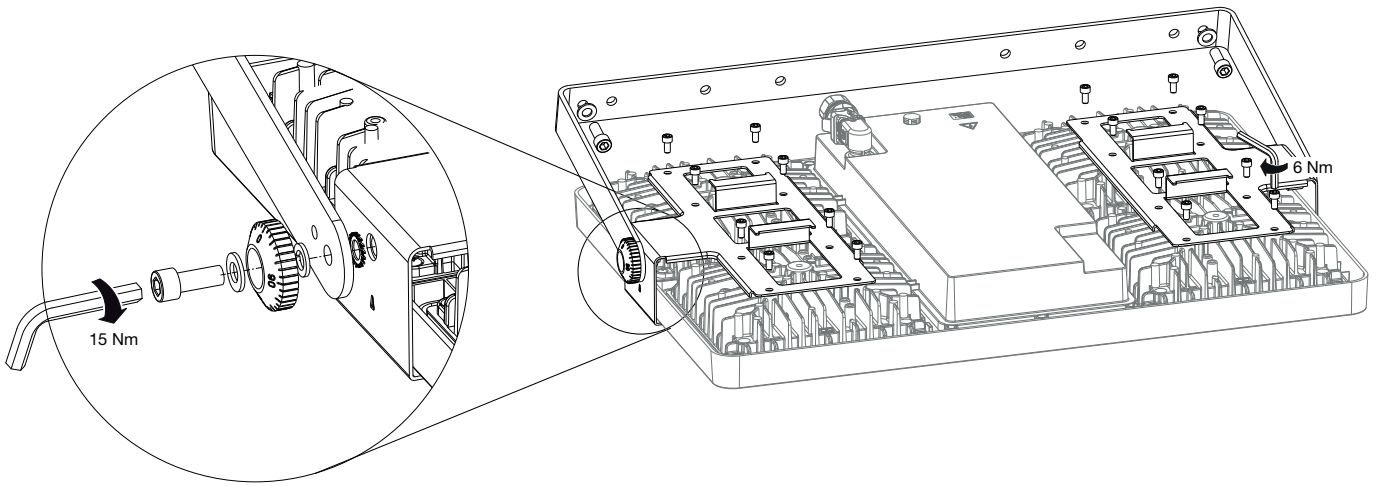
SMART[4] 2M

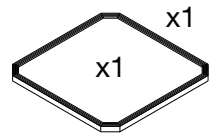
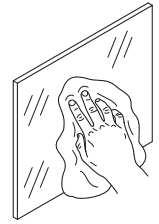
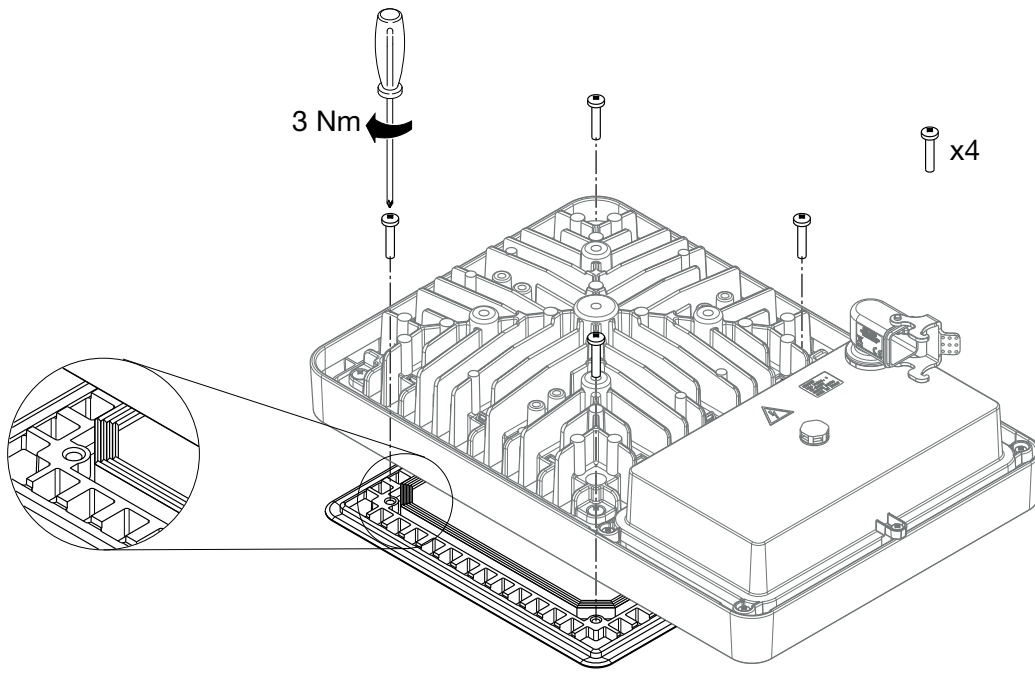
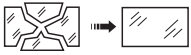




SMART[4] 4M



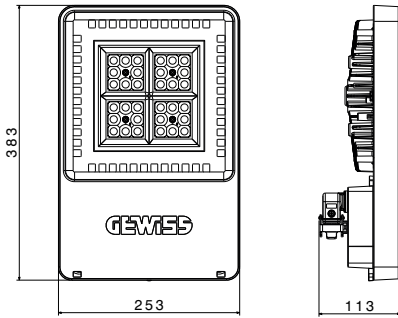




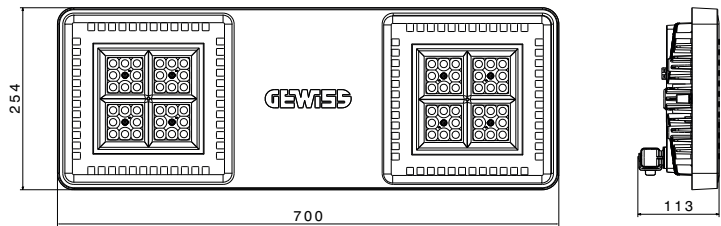
GWL1907



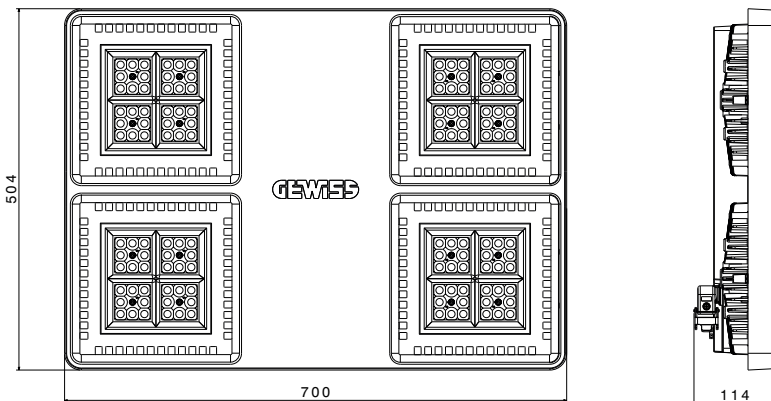
SMART[4] 1M



SMART[4] 2M



SMART[4] 4M



Punto di contatto indicato in adempimento ai fini delle direttive e regolamenti UE applicabili:

Contact details according to the relevant European Directives and Regulations:

GEWISS S.p.A. Via A.Volta, 1 IT-24069 Cenate Sotto (BG) Italy tel: +39 035 946 111 E-mail: qualitymarks@gewiss.com



+39 035 946 111

8.30 - 12.30 / 14.00 - 18.00
lunedì - venerdì - monday - friday



+39 035 946 260



sat@gewiss.com
www.gewiss.com