

# PRODUCT DATASHEET

## TRACK SP D95 55 W 4000 K 90RA NFL BK

TRACKLIGHT SPOT D95 55W | 3-phase tracklight spot with integrated control gear, high wattage



### Areas of application

- Direct replacement for luminaires using HID lamps
- Accent lighting
- Fashion shops, accessories shops
- Retail
- Hotels, restaurants, shops

### Product benefits

- Included 3-phase adapter compatible with common tracks (GLOBAL, EUTRAC, POWERGEAR, STAFF, NORLUX, NUCO, NORDIC)
- Deep reflector and black antiglare ring for minimized glare (UGR < 16)
- Reflector easily replaceable thanks to bayonet catch and rubber suction pad
- No distraction of attention from the illuminated objects thanks to reduced design
- Low flicker light thanks to special electronic control gear
- 5 years guarantee

### Product features

- Compact tracklight spot with integrated control gear
- Rotation angle: 350°, tilt angle: 90°
- Luminaire efficacy: up to 80 lm/W
- Available with color temperature 3000 K or 4000 K



- Very good color rendering index  $R_a$ : > 90
- Color rendering index  $R_a9$ : > 50
- Initial color consistency:  $\leq 3$  SDCM
- Equipped with reflectors with  $24^\circ$  beam angle
- Follows the unified LEDVANCE design language (SCALE design)
- Robust die-cast aluminum housing
- Available in matt white (like RAL9016), matt black (like RAL9004) and concrete grey (like RAL7042)

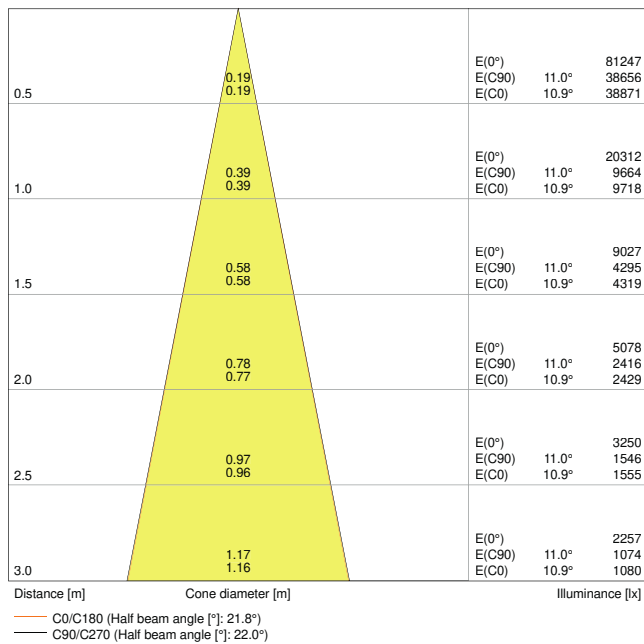
## TECHNICAL DATA

### Electrical data

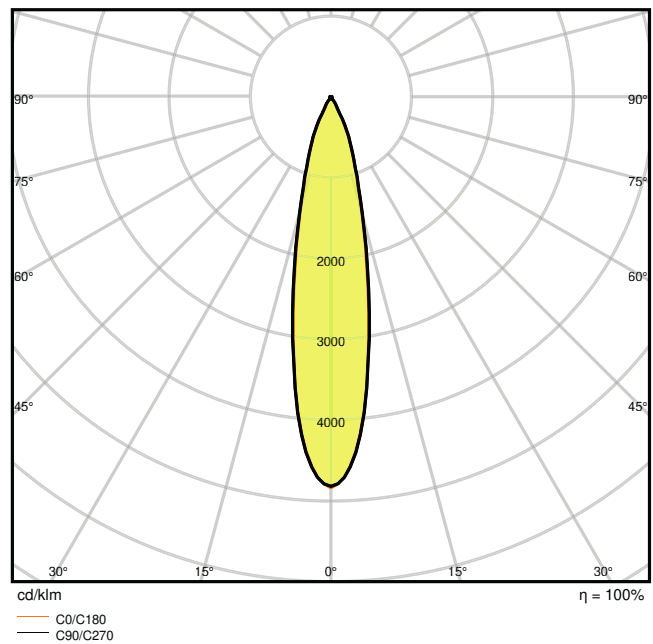
Nominal wattage	55.00 W
Nominal voltage	220...240 V
Mains frequency	50...60 Hz
Nominal current	240 mA
Inrush current	25 A
Inrush current time $T_{h50}$	< 5 $\mu$ s
Max. number of luminaires per miniature circuit breaker B16	30
Max. number of luminaires per miniature circuit breaker C10	24
Max. number of luminaires per miniature circuit breaker C16	38
Power factor $\lambda$	$\geq 0.90$
Total harmonic distortion	< 15 %
Protection class	I
Operating mode	Integrated LED driver

### Photometrical data

Luminous flux	4200 lm
Luminous efficacy	75 lm/W
Color temperature	4000 K
Light color (designation)	Cool White
Color rendering index Ra	90
Standard deviation of color matching	$\leq 3$ sdc <sub>m</sub>
Luminous intensity	-
Low flicker	Yes
Flickering metric (Pst LM)	-
Stroboscope effect metric (SVM)	-
Photobiological safety group acc. to EN62778	RG1
Beam angle	24 °



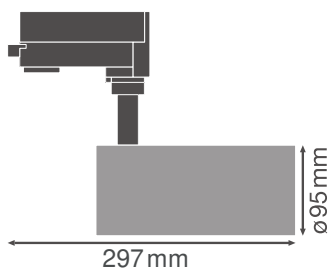
TRACK SP D95 55W4000K 90RA NFL BK



TRACK SP D95 55W4000K 90RA NFL BK

Dimensions & Weight

Diameter	95.00 mm
Height	297.00 mm
Product weight	1520.00 g



TRACK SP D95 BK

Materials & Colors

Product color	Black
Housing color	Black
Body material	Aluminum

Cover material	Polymethylmethacrylate (PMMA)
Light emitting surface material	Polycarbonate (PC)
Glow Wire Test according to IEC 60695-2-12	650 °C
Mercury content	0.0 mg

### Application & Mounting

Ambient temperature range	-20...+40 °C
Type of connection	Adapter, 3-phase
Type of protection	IP20
Protection class IK (shock resistance)	IK02
Dimmable	No
Mounting type	Surface
Mounting location	Mounting track
Application environment	Indoor
Adjustable	Yes

### Lifespan

Lifespan L70/B50 at 25 °C	50000 h <sup>1)</sup>
Lifespan L80/B10 at 25 °C	45000 h <sup>1)</sup>
Lifespan L80/B50 at 25 °C	45000 h
Lifespan L90/B10 at 25 °C	30000 h
Number of switching cycles	50000

<sup>1)</sup> t[h]: L70 / B50 @ 25 °C (Ta), t[h]: L80 / B10 @ 25 °C (Ta), t[h]: L90 / B10 @ 25 °C (Ta)

### Control gear

Output current	1300 mA
ECG - Output ripple current	< 10 %

















### Certificates & Standards


Standards	CE / CB / ENEC / TÜV SÜD / EAC / RoHS
Luminaire with limited surface temperature, "D sign"	No
Ball shot safe	No
Replaceable light source (EPREL)	Not replaceable

### EQUIPMENT / ACCESSORIES


– Accessory reflectors with 15° or 38° beam angle available

## DOWNLOAD DATA

Documents and certificates		Document name
	User instruction / safety instructions	UI Tracklight Spot
	On-Pack-Info	Legal Insert Tracklight
	Legal information	LS Insert TRACK SP D
	Legal information	TRACKLIGHT SPOT
	Legal information	Informationstext 18 Abs 4 ElektroG
	Declarations of conformity	Attestation-of-Conformity Track SP TÜV
	Declarations of conformity	Attestation-of-Conformity Track SP LEDV
	Declarations of conformity UKCA	TRACK SP
Photometric and lighting design files		Document name
	IES file (IES)	TRACK SP D95 55W4000K 90RA NFL BK
	LDT file (Eulumdat)	TRACK SP D95 55W4000K 90RA NFL BK
	ULD file (DIALux)	TRACKLIGHTSPOTD9555W55W4000K90RANFLBK
	ROLF file (RELUX)	TRACK SP D95 55W-4000K
	UGR file (UGR table)	TRACK SP D95 55W4000K 90RA NFL BK
	Light distribution curve type cone	TRACK SP D95 55W4000K 90RA NFL BK
	Light distribution curve type polar	TRACK SP D95 55W4000K 90RA NFL BK
CAD/BIM files		Document name
	BIM Revit 3D	TRACKLIGHT SPOT

CAD/BIM files		Document name
	CAD STEP 3D	TRACK SP D95

---

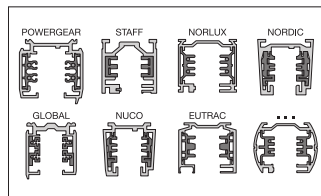
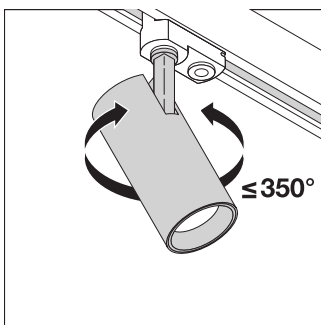
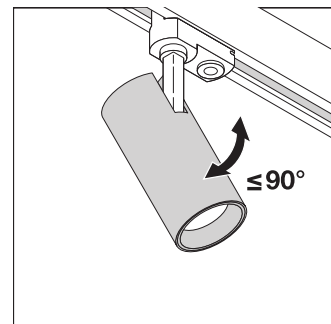
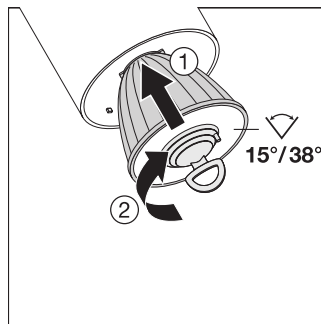
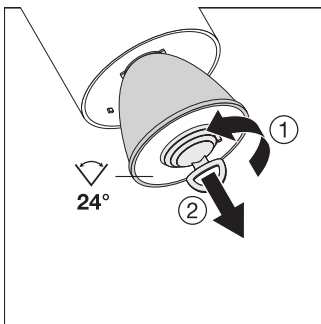
Tender texts		Document name
	Tender documents	TRACKLIGHT SPOT D95 55W 55 W 4000 K 90RA NFL BK-EN

**LOGISTICAL DATA**

Product code	Packaging unit (Pieces/Unit)	Dimensions (length x width x height)	Gross weight	Volume
4058075113664	Folding box 1	120 mm x 120 mm x 330 mm	1625.00 g	4.75 dm <sup>3</sup>
4058075113671	Shipping box 4	495 mm x 130 mm x 340 mm	6977.00 g	21.88 dm <sup>3</sup>

The mentioned product code describes the smallest quantity unit which can be ordered. One shipping unit can contain one or more single products. When placing an order, for the quantity please enter single or multiples of a shipping unit.

**ADDITIONAL CATALOG INFORMATION**



**References / Links**

– For Guarantee see [www.ledvance.com/guarantee](http://www.ledvance.com/guarantee)

---

## DISCLAIMER

Subject to change without notice. Errors and omission excepted. Always make sure to use the most recent release.