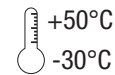
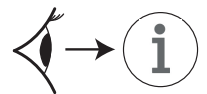
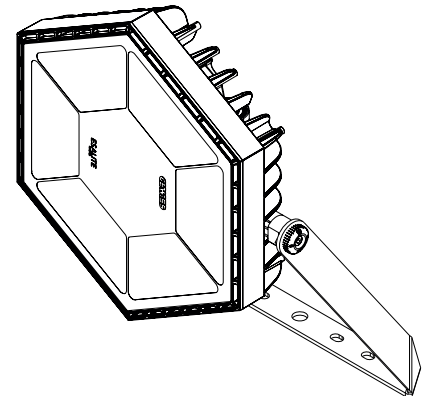
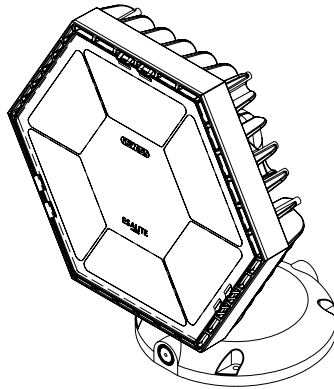
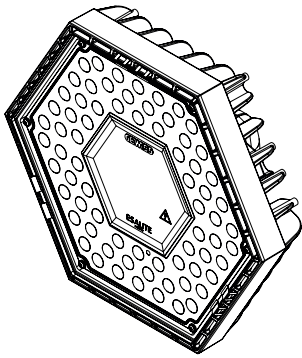


ESALITE 12K-16K-20K

GEWISS

HIGHBAY - FLOODLIGHTS

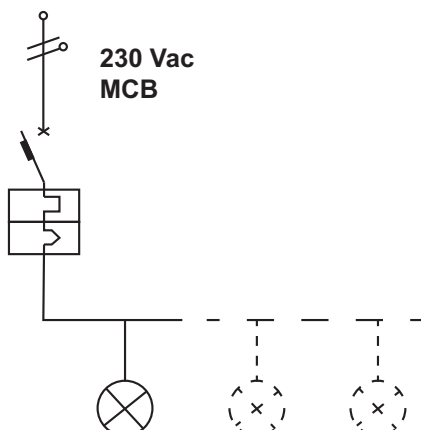


$t_q 25^\circ\text{C}$


| | | | | | |
|--------------------|--|-----------|--|--|--|
| | | IP | | | |
| 30° | | IP65 | | | |
| 60° 90° ELL. | | IP65 | | | |
| | | IP66 | | | |

| | $I_{LED} (A)$ | | |
|------|------------------------|------------------------|------------------------|
| | $t_a 50^\circ\text{C}$ | $t_a 45^\circ\text{C}$ | $t_a 40^\circ\text{C}$ |
| 12 K | 700 mA | 700 mA | 700 mA |
| 16 K | 600 mA | 600 mA | 600 mA |
| 20 K | 570 mA | 650 mA | 700 mA |

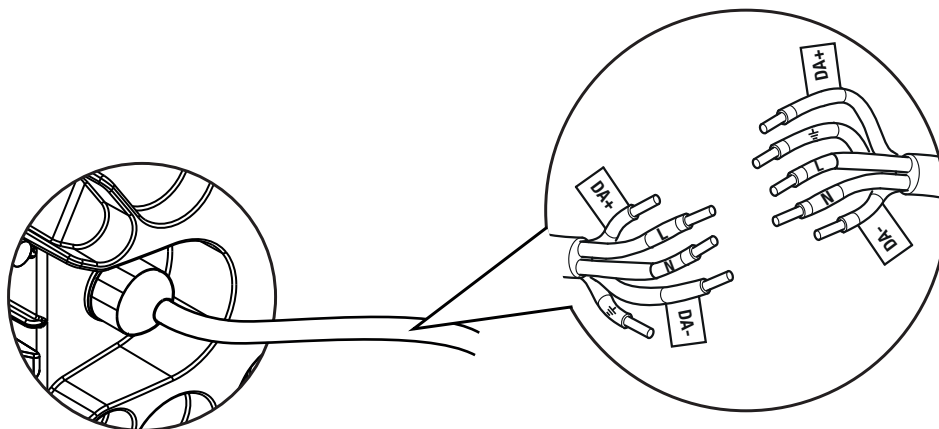
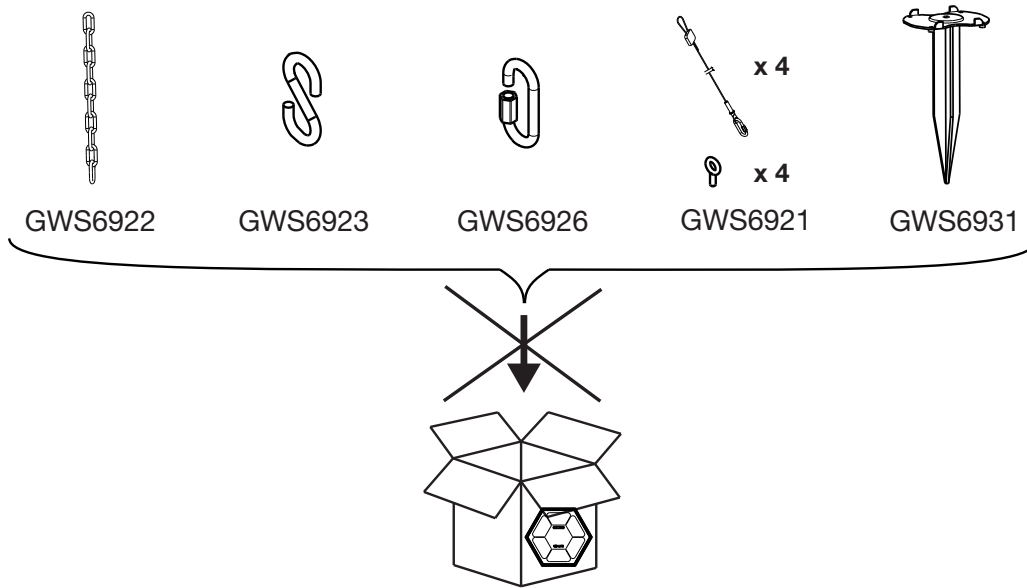
| | Kg | | | |
|--|-----------|-----------|---------------------|---------------------|
| | 7,5 | Max. 30 m | 0,12 m ² | 0,05 m ² |
| | 8,5 | Max. 30 m | 0,14 m ² | 0,07 m ² |
| | 9,5 | Max. 30 m | 0,13 m ² | 0,07 m ² |




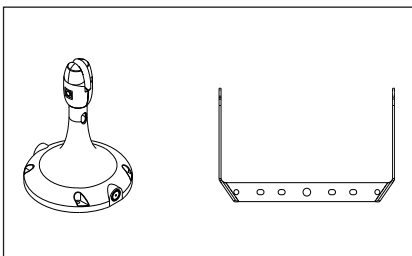
| MCB Type B | 10A | 16A | 20A |
|------------|-----|-----|-----|
| | 5 | 8 | 10 |
| MCB Type C | 10A | 16A | 20A |
| | 8 | 13 | 16 |

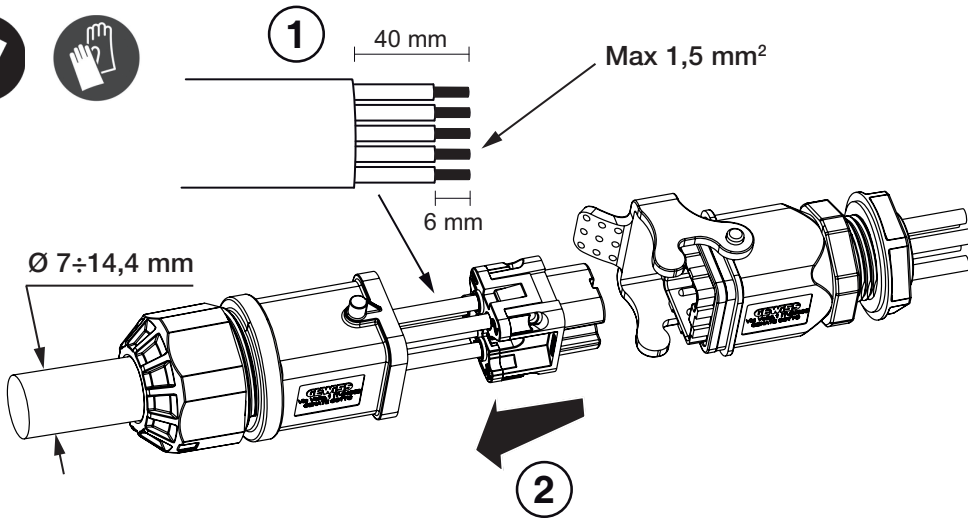
|  | ≤ 5700K | | | |
|---|---------|-------|------|------------|
| | 30° | 60° | 90° | Elliptical |
| | RG1: | RG1: | RG1: | RG1: |
| | 2,5 m | 3,5 m | 3 m | 4 m |

.....m

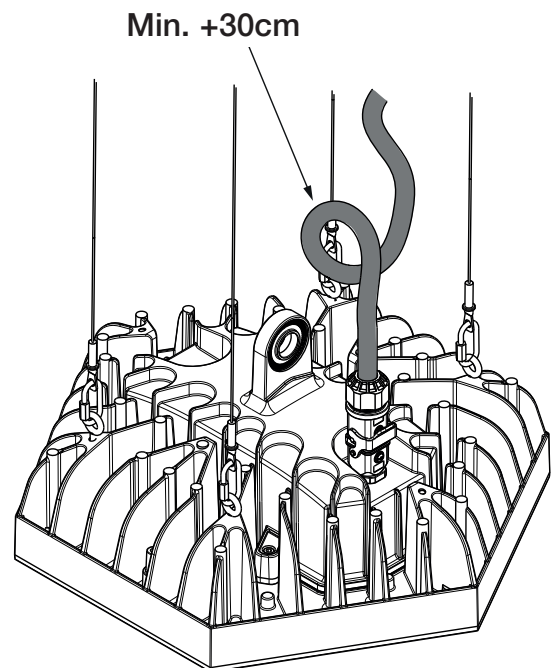
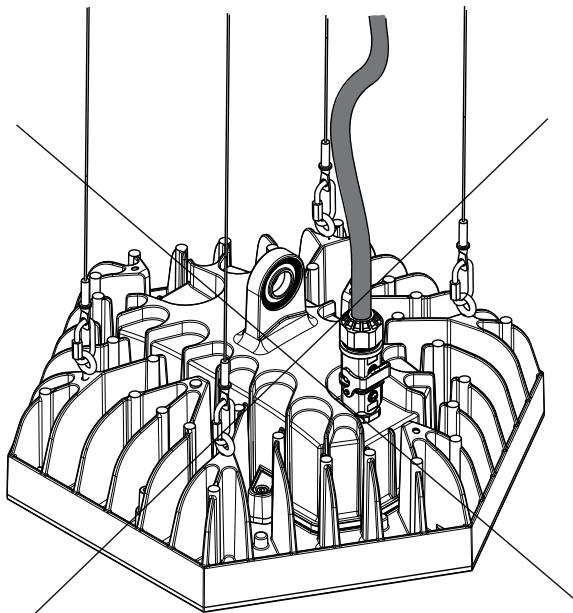
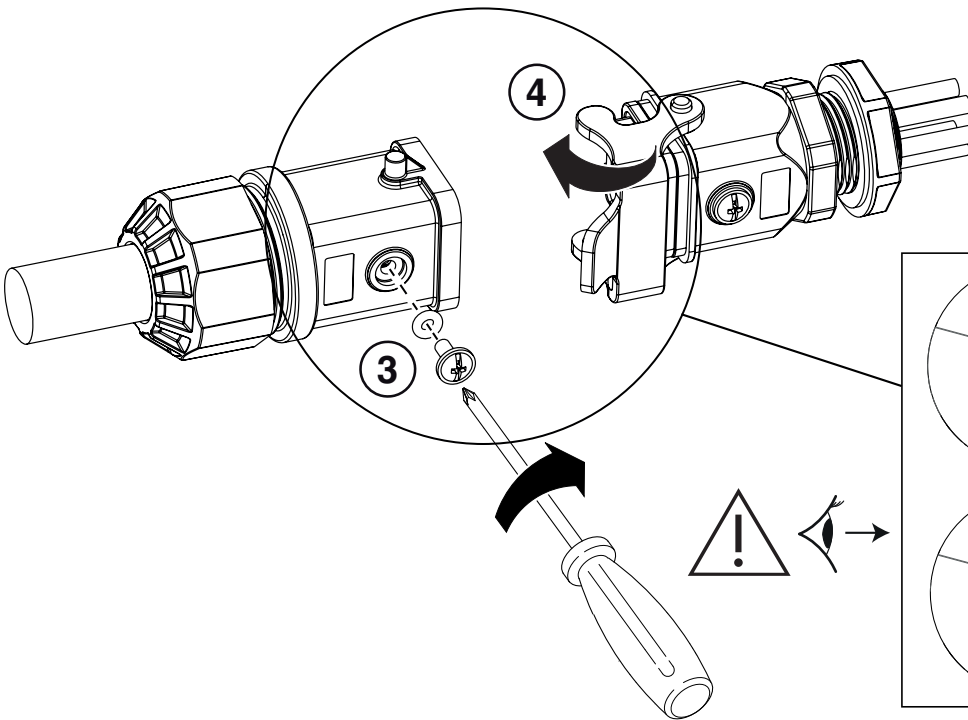


L
N
DA+ = DALI (+)
DA- = DALI (-)






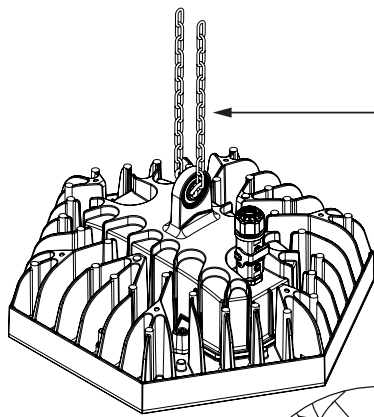
| | | |
|---|---|------|
| L | = | L |
| N | = | N |
| | = | |
| ① | = | DALI |
| ② | = | DALI |



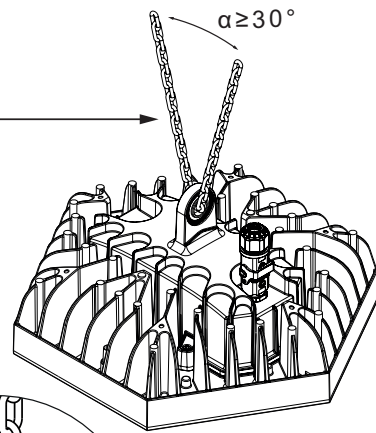


30° - 60° - 90°

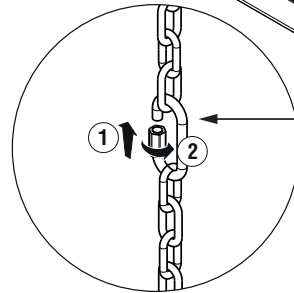
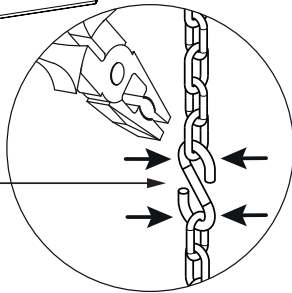
ELLIPTICAL



GWS6922



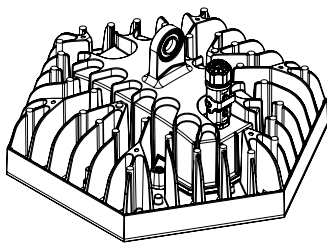
GWS6923



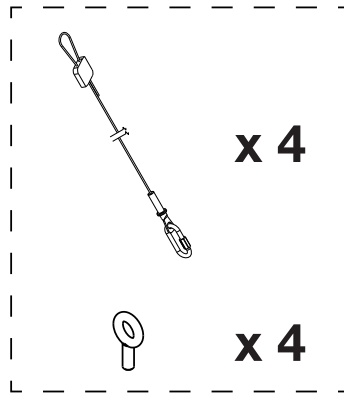
GWS6926



30° - 60° - 90°



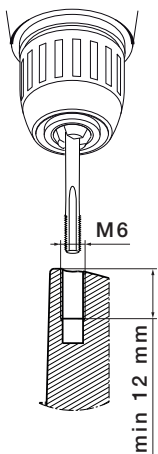
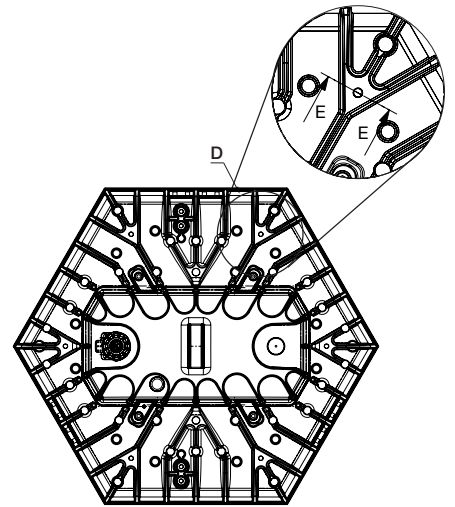
+



x 4

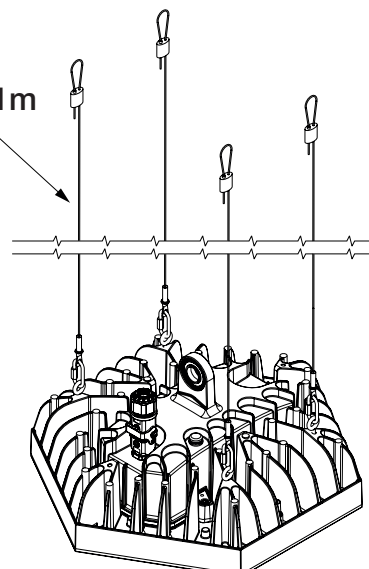
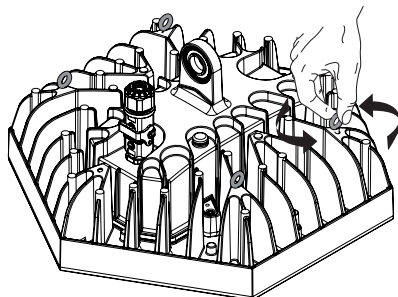
x 4

GWS6921



M6

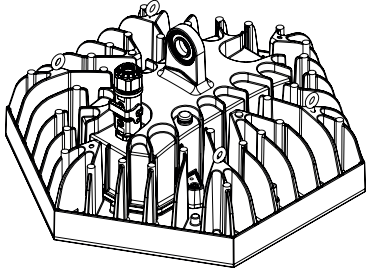
min 12 mm



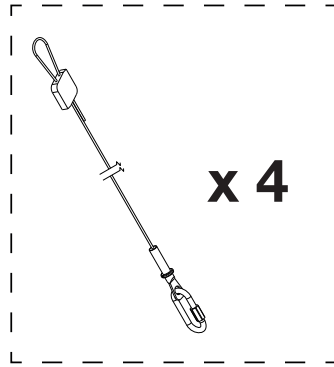
L = 1m



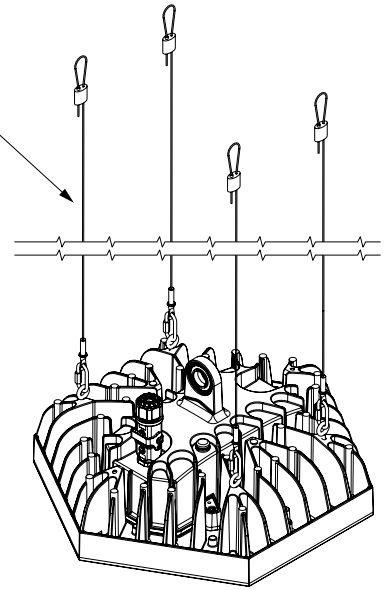
ELLIPTICAL



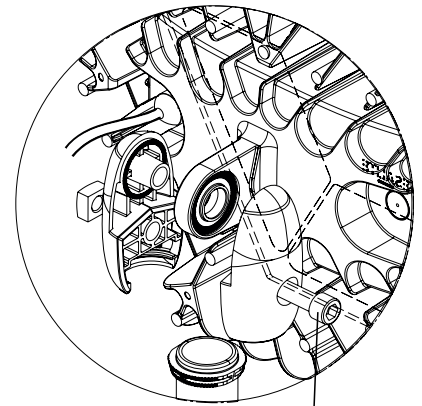
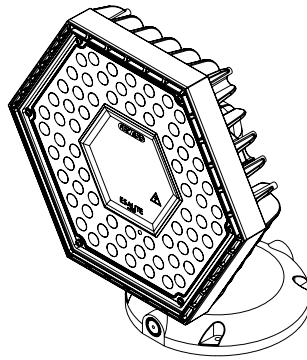
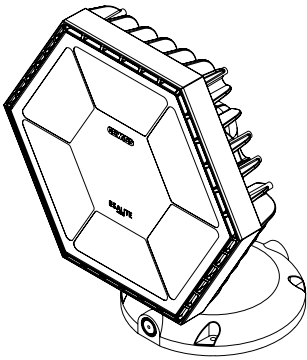
+



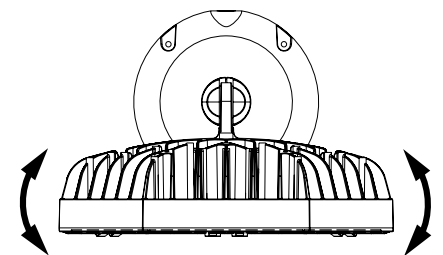
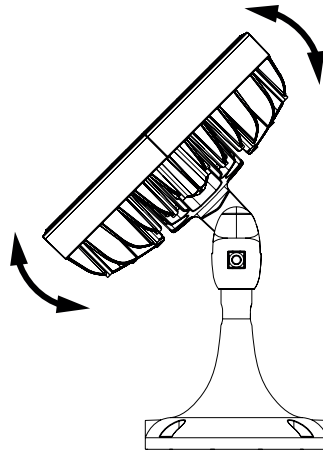
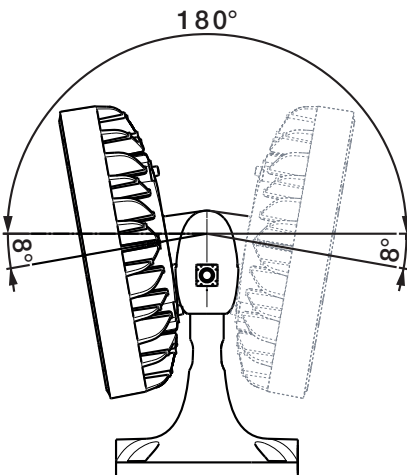
L = 1m

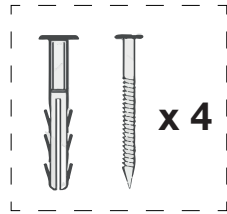
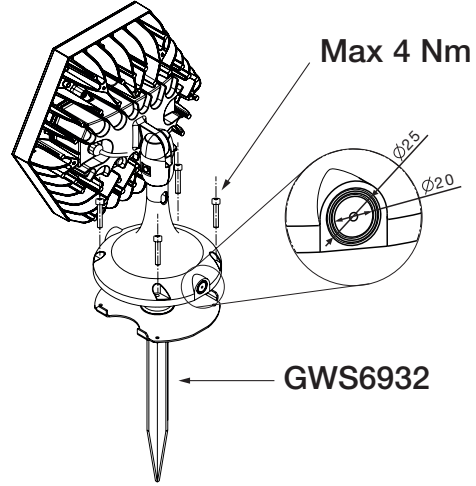
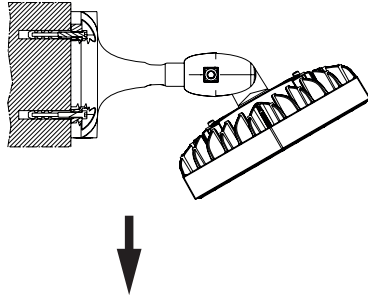
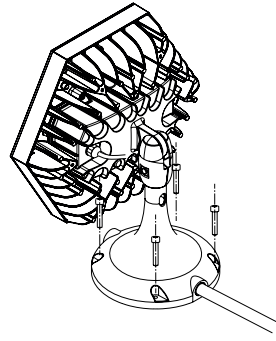
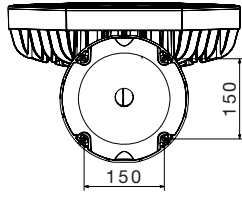


30° - 60° - 90° - ELLIPTICAL

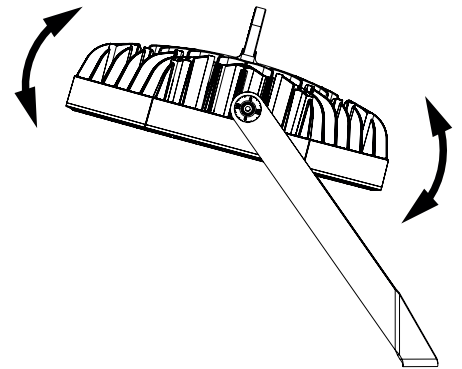
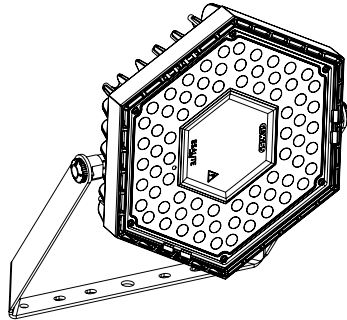
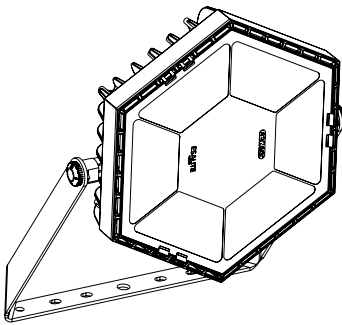


Max 25 Nm

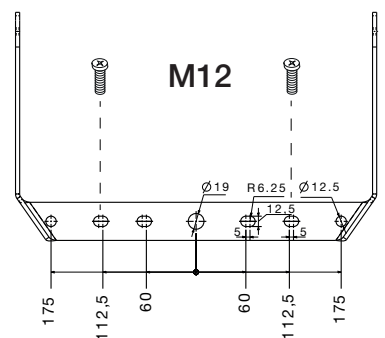
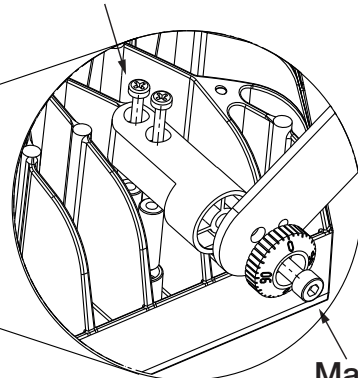
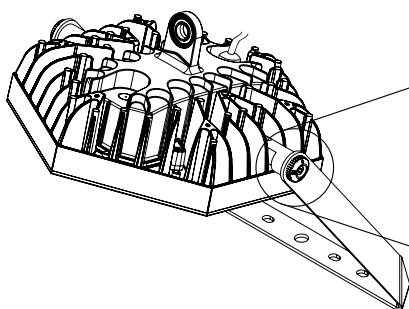




30° - 60° - 90° - ELLIPTICAL

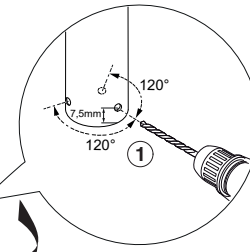
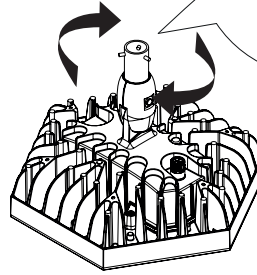
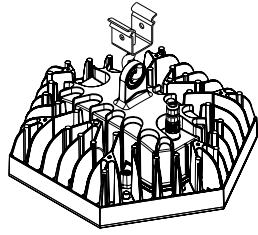


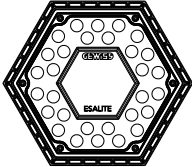
















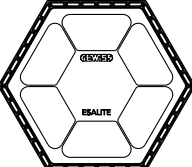





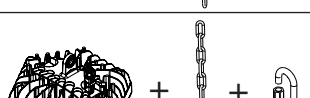



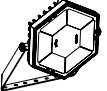


Max 8 Nm

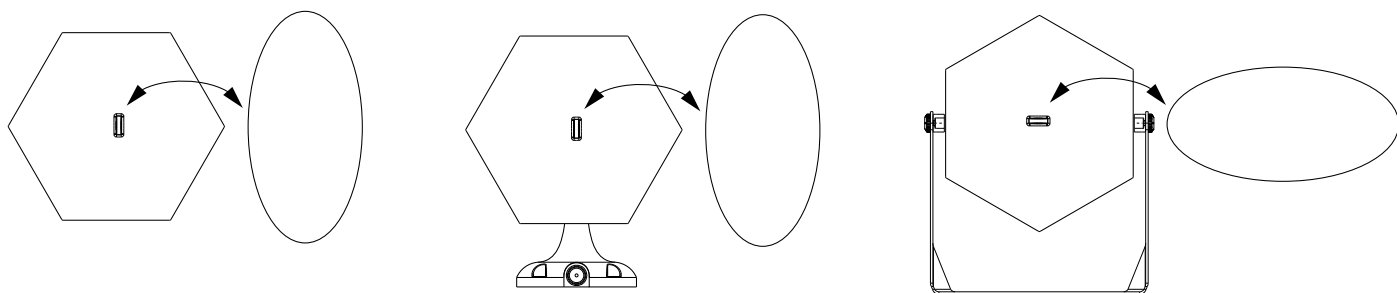




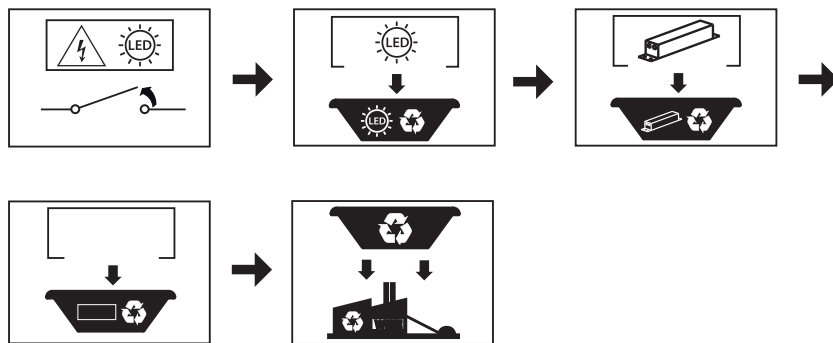
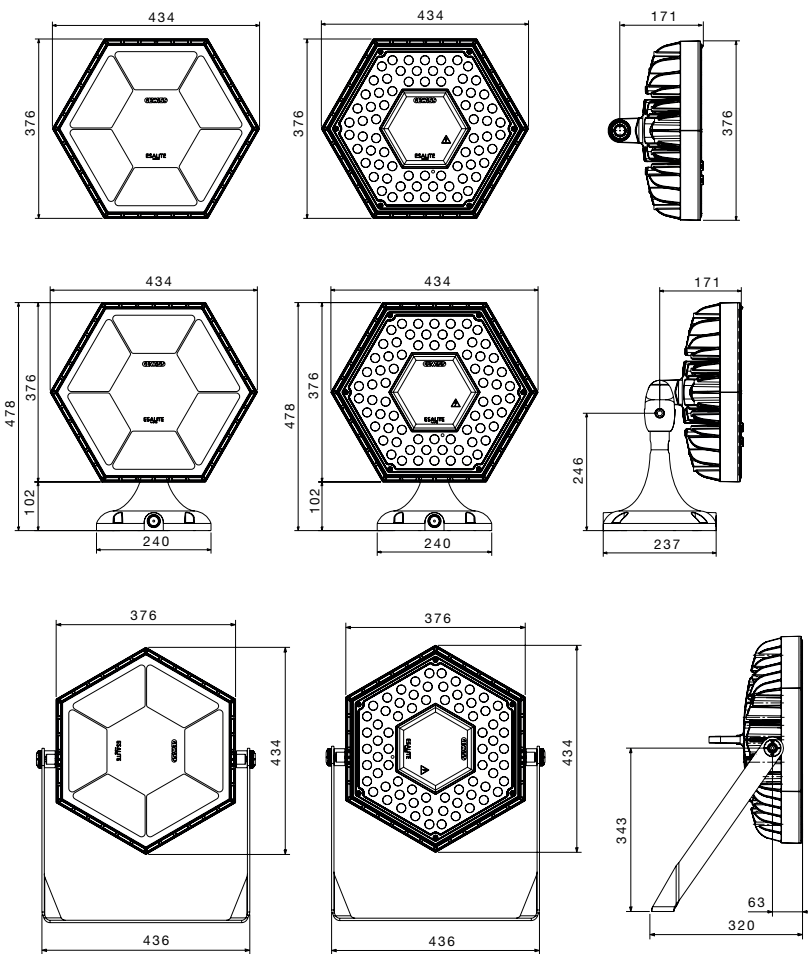
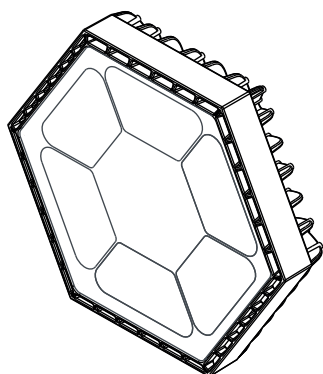
ON REQUEST



| | | | |
|--|---|--|---|
|   |  |  |  |
| |  |  |  |
| |  |  |  |
| |  |  |  |
| |  |  |  |
|   |  | OK | |
| |  |  |  |
| |  | OK | |
| |  |  |  |
| |  |  |  |



ELLIPTICAL



Punto di contatto indicato in adempimento ai fini delle direttive e regolamenti UE applicabili:
 Contact details according to the relevant European Directives and Regulations:
 GEWISS S.p.A. Via A.Volta, 1 IT-24069 Cenate Sotto (BG) Italy tel: +39 035 946 111 E-mail: qualitymarks@gewiss.com

According to applicable UK regulations, the company responsible for placing the goods in UK market is:
 GEWISS UK LTD - Unity House, Compass Point Business Park, 9 Stocks Bridge Way, ST IVES
 Cambridgeshire, PE27 5JL, United Kingdom tel: +44 1954 712757 E-mail: gewiss-uk@gewiss.com



+39 035 946 111
 8.30 - 12.30 / 14.00 - 18.00
 lunedì ÷ venerdì - monday ÷ friday



+39 035 946 260



sat@gewiss.com
 www.gewiss.com