

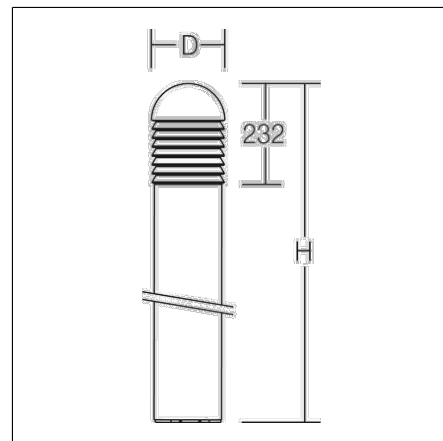
MEGA GLASPOLLER

612345.004.1 | Bollards



Bollards
4051859936497
D 169, H 750

free-standing
silver, matt (approx. RAL 9006)



Attractive cylindrical bollard with innovative housing design and high-quality LED optics. Luminaire tube \varnothing 156 mm made of corrosion-resistant aluminium profile, powder coated. Recessed stainless steel fixing plate. Non-corrosive gear compartment made of mould-cast dual compound thermoplastic with integral TP gasket. With membrane valve as a standard to avoid condensed water. Seawater resistant coating. Opal glass: mouth-blown, satin finish, powder coated metal cap. The robust stainless steel mounting base ensures long-term stability. Elongated holes in the base for subsequent and simple alignment of the luminaire. Connection box on base, max. $2 \times 3 \times 2.5 \text{ mm}^2$ for through wiring.

Product specifications

Diameter D	169 mm
Height H	750 mm
Weight	6.1 kg
Light source	LED
Colour temperature	4000 K
Rated luminous flux	850 lm
System power	18 W
System efficiency	47 lm/W
Glare evaluation UGR (4H 8H)	20,6
Beam angle	down 180° up 180°
Rated life	60000 h (L80/B50)
Colour rendering index (CRI)	80
Colour tolerance	3
Photobiological safety according to EN 62471	Risk group 1
Driver	Converter
Control	on/off
Voltage	220 - 240 V / 50 Hz, 60 Hz
Luminaires on B10A fuse	31
Luminaires on B16A fuse	50
Luminaires on C10A fuse	52
Luminaires on C16A fuse	85
Inrush current / Inrush current duration	5 A / 50 μ s
CIE Flux Code / CEN Flux Code	15 41 70 54 100
Type of protection	IP 65
Protection class	I
Filament test	650 °C
Impact resistance	IK05
Ambient temperature	-20 °C ... + 35 °C
Conformity mark	CE, EAC

MEGA GLASPOLLER

612345.004.1 | Bollards



Accessories



982155.000
Accessory for ground installation

Spareparts



981143.014
Replacement glass