



# MASTER LEDspot ExpertColor AR111

## MAS LEDExpertColor 20-100W 927 AR111 45D

MASTER LEDspot LV ExpertColor creates a warm and comfortable ambience for hospitality venues, homes and restaurants. It creates such an ambience with superior lighting that has a customized spectrum, high CRI, and deep dimming feature. The result? A beautiful lighting experience. What's more, the innovative, trimless lens design will suit almost any interior decor with its clean and neat look. In addition, you can take advantage of the full ExpertColor family, which also includes LEDspot MV and LEDspot Par lamps.

### Product data

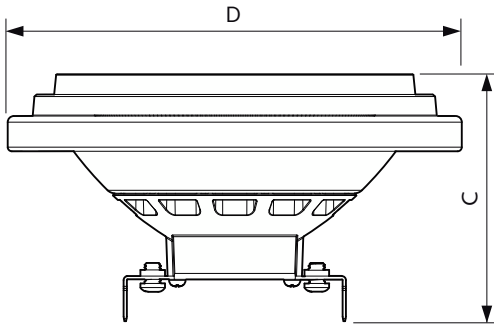
General Information		Color rendering index (CRI)	
Cap-Base	G53 [G53]		95
EU RoHS compliant	Yes	LLMF At End Of Nominal Lifetime (Nom)	70 %
Nominal lifetime	40,000 hour(s)	Luminous Flux in 90° Cone (Rated)	1,270 lumen
Switching Cycle	50,000	<b>Operating and Electrical</b>	
Lighting Technology	LED	Line Frequency	50 to 60 Hz
Flux measurement reference	Narrow Cone	Input Frequency	50 to 60 Hz
Brand	Philips	Power Consumption	20 W
<b>Light Technical</b>		Lamp Current (Nom)	2,000 mA
Color Code	927 [CCT of 2700K]	Wattage Equivalent	100 W
Beam Angle (Nom)	45 degree(s)	Starting Time (Nom)	0.5 s
Luminous Flux	1,270 lumen	Warm-up time to 60% light	0.5 s
Luminous Intensity (Nom)	2,100 cd	Power Factor (Fraction)	0.7
Color Designation	Warm White (WW)	Voltage (Nom)	12 V
Correlated Color Temperature (Nom)	2700 K	Voltage (Nom)	12 V
Luminous Efficacy (rated) (Nom)	63 lm/W	<b>Temperature</b>	
Color Consistency	<4	Ambient temperature range	-20 °C to 45 °C

# MASTER LEDspot ExpertColor AR111

T-Case Maximum (Nom)	77 °C
<b>Controls and Dimming</b>	
Dimmable	Only with specific dimmers
<b>Mechanical and Housing</b>	
Bulb Finish	Clear
Bulb Shape	AR111
<b>Approval and Application</b>	
Suitable For Accent Lighting	Yes
Energy Consumption kWh/1000 h	20 kWh
EPREL Registration Number	1,122,530

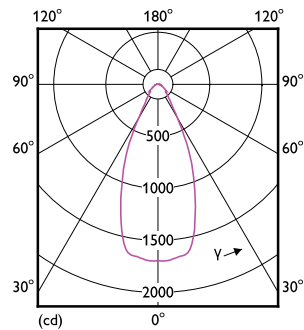
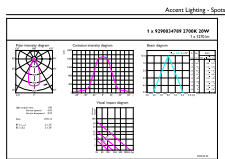
<b>Product Data</b>	
Full product code	871951442967300
Order product name	MAS LEExpertColor 20-100W 927 AR111 45D
Order code	929003478902
Numerator - Quantity Per Pack	1
Numerator - Packs per outer box	6
Material number (12NC)	929003478902
Net weight	0.162 kg
Full product name	MAS LEExpertColor 20-100W 927 AR111 45D
EAN/UPC - Case	8719514429680

## Dimensional drawing



Product	D	C
MAS LEExpertColor 20-100W 927 AR111 45D	111 mm	62 mm

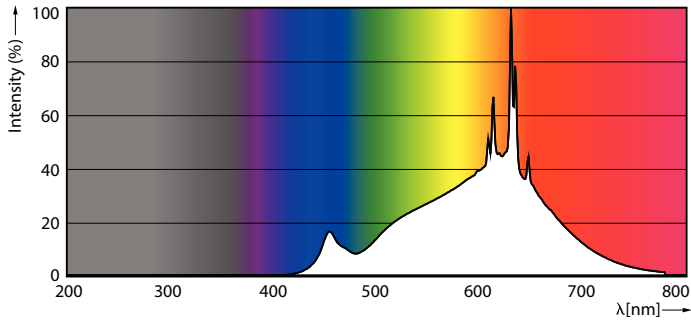
## Photometric data



Light Distribution Diagram - MAS LEExpertColor 20-100W 927 AR111 45D

# MASTER LEDspot ExpertColor AR111

## Photometric data



Spectral Power Distribution Colour - MAS LEExpertColor 20-100W 927 AR111 45D

## Lifetime



Life Expectancy Diagram - MAS LEExpertColor 20-100W 927 AR111 45D



Lumen Maintenance Diagram - MAS LEExpertColor 20-100W 927 AR111 45D

