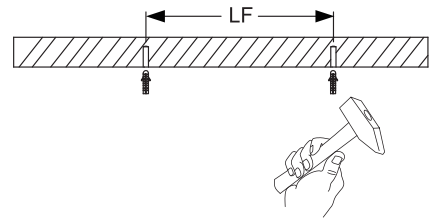
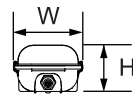
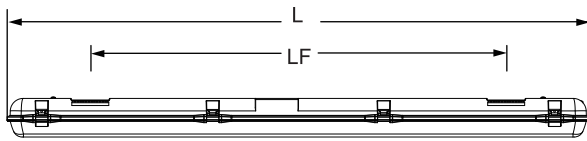
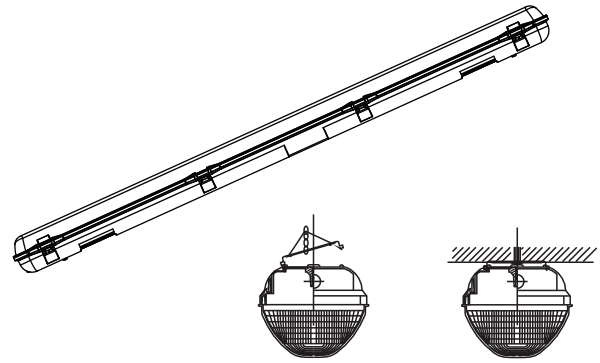


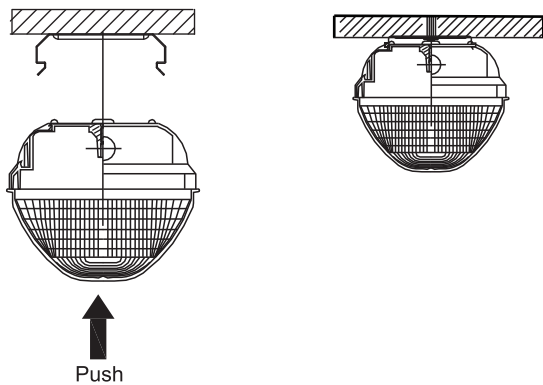
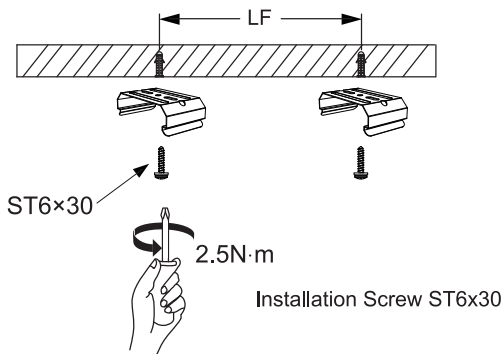
LED Waterproof Classic

Item Code	CCT	kg
531000003000	4000K	0.81kg
531000004100	4000K	2.01kg
531000004200	4000K	2.01kg
531000004300	4000K	2.39kg
531000004400	4000K	2.39kg

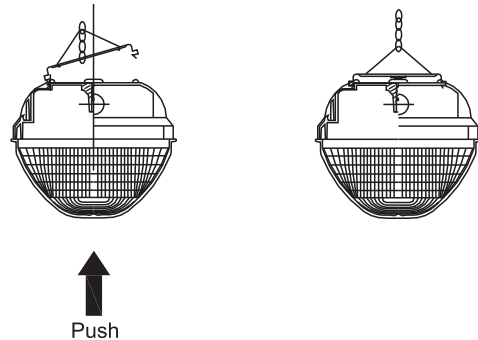
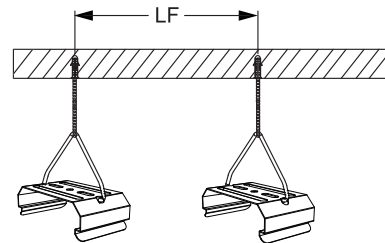


Model	L (mm)	LF (mm)	W (mm)	H (mm)	F (mm)	Rated Power	Max total luminaires connected using external 1.5mm ² wire	Max total luminaires connected using external 2.5mm ² wire
LED WP-CLA-E L650-20W	650	350	127	86	22	20W	56	90
LED WP-CLA-E L1250-20W	1260	900				20W	56	90
LED WP-CLA-E L1250-43W	1260	900				43W	21	34
LED WP-CLA-E L1550-29W	1560	1200				29W	26	50
LED WP-CLA-E L1550-53W	1560	1200				53W	20	34

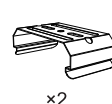
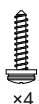
Surface Mounting



Suspension Mounting

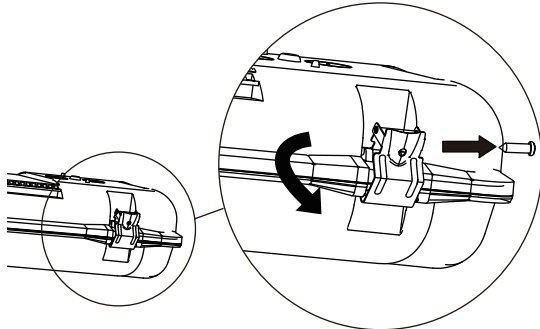


Components



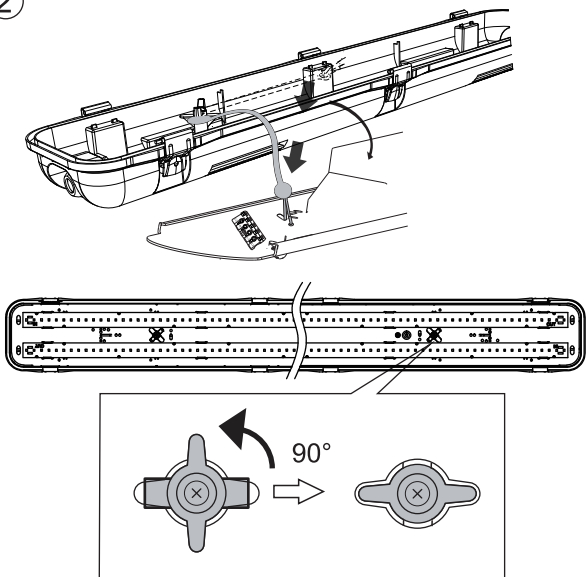
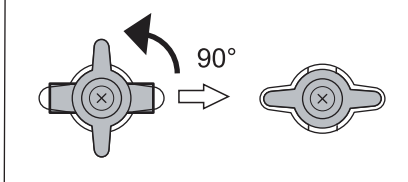
Components included in the packaging inside the components box.

1

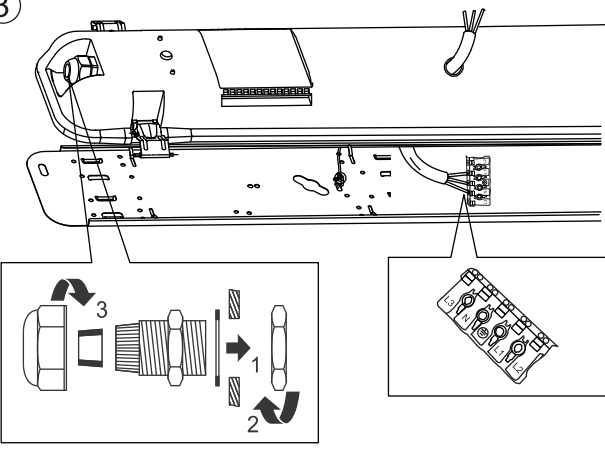
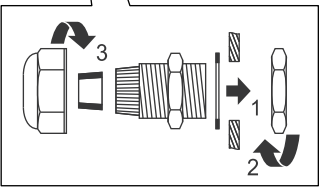
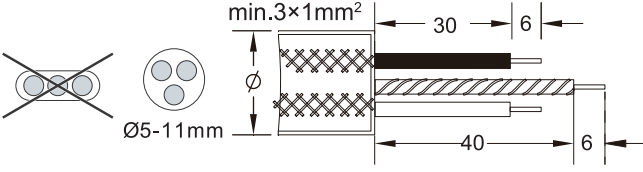


1. Screw out the anti-tamper clips.
2. Open the clip.
3. Open the luminaire and take out the LED module plate to find the accessories bag.

2

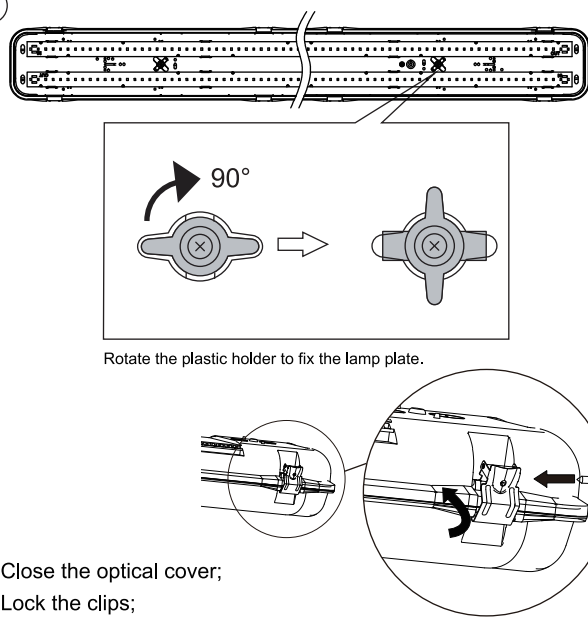
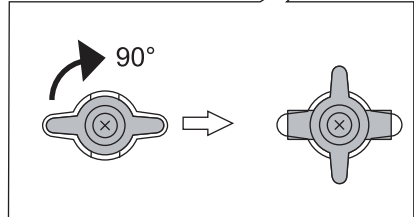



3

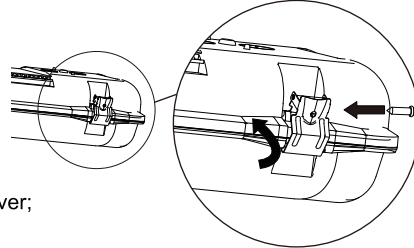




min. $3 \times 1 \text{ mm}^2$
 $\text{Ø}5-11 \text{ mm}$
 30 6
 40 6

4

Rotate the plastic holder to fix the lamp plate.



1. Close the optical cover;
2. Lock the clips;
3. Then tighten the clips;
4. Place and fasten the screws in the clips to lock them (tightening torque: 1.2-1.9 N·M)



Caution: Any operation on LED module is forbidden while power-on.
 Zur Vermeidung von Risiken müssen defekte Leitungen ausschließlich vom Hersteller, Inverkehrbringer oder Fachmann ausgetauscht werden.
 Achtung: In Betrieb ist keine Arbeit am LED-Modul erlaubt.



For non-user replaceable light sources:
 The light source contained in this luminaire shall only be replaced by the manufacturer or his service agent or a similar qualified person. Otherwise the whole luminaire shall be replaced.
 Das Leuchtmittel dieser Leuchte ist nicht austauschbar. Wenn das Leuchtmittel das Ende seiner Lebensdauer erreicht hat, muss die gesamte Leuchte ersetzt werden.



For use in environments where normal non-conductive/conductive dust accumulation may be expected, not for use in environments with expected high/unusual dust accumulation.

