

No improvisation
on safety!

Exiway Power Control

Catalogue 03-2019

Emergency lighting system

Central battery system and luminaires



se.com

Life Is On

Schneider
Electric

	Page	
Presentation	4	A
Exiway Power Control	15	B
Accessories	27	C
Luminaires	33	D
Batteries	49	E
Technical guide	55	F
Index	59	G

A brilliant idea to centralise safety

A

P122193



Exiway Power Control from Schneider Electric combines safety with cost effectiveness. A central battery system for emergency lighting with particularly high installation, maintenance and operating efficiency - and no compromise on safety.

The flexible central battery system for every requirement

The Exiway Power Control system family provides you with the right system for every type and size of building. The system already works efficiently and economically in small buildings with few escape route and exit sign luminaires, and considering the numerous benefits,

in particular for maintenance, it is hard to imagine large, complex buildings without central battery systems. Thanks to the various luminaire designs and installation types available, Exiway Power Control combines aesthetics with safety in every building.

Exiway Power Control system family

In case of a power failure, Exiway Power Control supplies all connected escape route and exit sign luminaires with power. Power is not generated in every lamp like in self-contained luminaires, but rather from a central location.

systems, modules for monitoring and controlling of specific functions.

The central processing unit is at the heart of every system and enables configuration, control, monitoring and maintenance of the system. If the system is integrated into the building network, these functions can be easily and conveniently controlled with any PC via web interface.

Every system has a modular construction and is comprised of various components: escape route and exit sign luminaires, battery

The web interface

The web interface can be used to conveniently program and monitor the system, offering comprehensive display and programming options.



P122234

Centralise safety, increase comfort, safe costs and energy



Safety

- Consistant and reliable performance over time
- Compliant with safety standards



Flexibility

- Simple and flexible installation
- Right system for every type and size of building
- System types, modules and luminaires can be freely combined with one another



Comfort

- User-friendly configuration, operation and monitoring
- Programming and monitoring via web interface with comprehensive display options
- Automatically performed tests



Efficiency

- Efficient and time-saving installation, configuration and operation
- Long service life and low maintenance
- Lamp faults are easily identified and quickly resolved



Design

- Numerous installation types and designs
- Aesthetics combined with safety



Savings

- Low maintenance
- Long service life of batteries
- Low power consumption thanks to LED technology

Power supply for small to medium areas

Exiway Power Control Pico & Nano

A



Several systems can be connected

Exiway Power Control Pico and Nano are low power supply systems that are particularly suitable for small to medium areas. They can be installed in operating rooms or at a central location in a building. Several systems can be linked to be controlled and monitored by PC or laptop.

Exiway Power Control Pico and Nano have a limited power of maximum 500 W respectively 1,500 W for an operating period of 1 hour. The operating time can be increased to max. 8 hours by lowering the load connected to the system. Up to 120 or 240 luminaires can be integrated and supplied depending on the version.

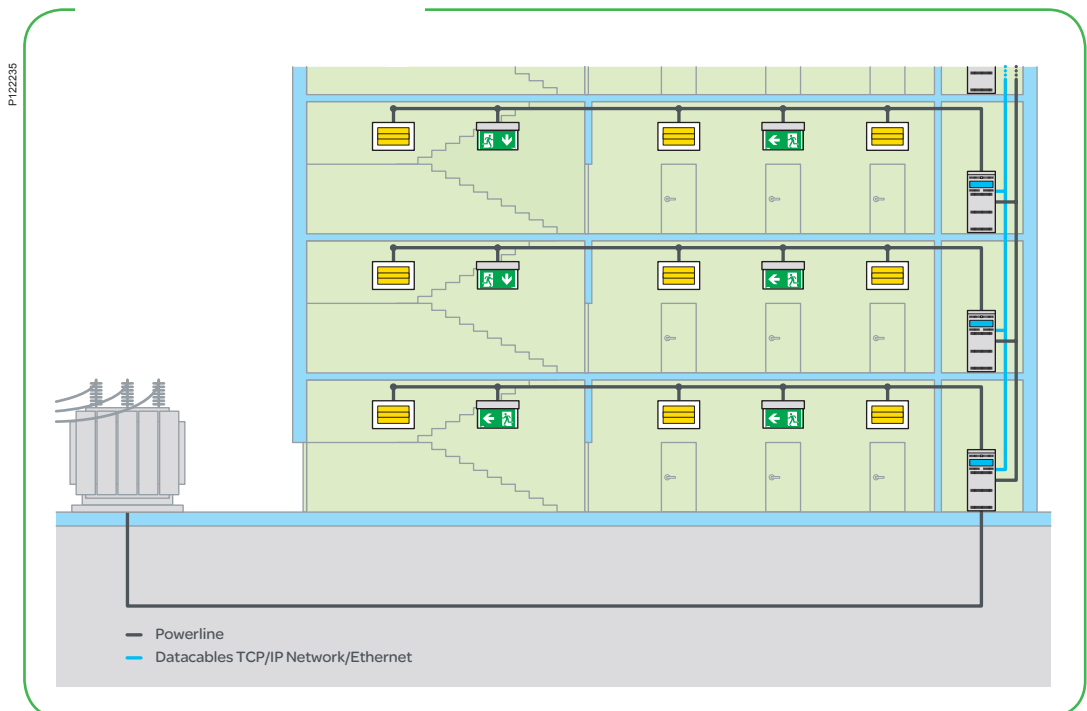


Exiway Power Control Pico



Exiway Power Control Nano

Distributed



Power supply for medium to big areas

Exiway Power Control Mega & Multi

A



More than 60,000
luminaires possible

The central battery systems Exiway Power Control Mega and Multi supply the escape route and exit sign luminaires connected in a building with power from a central location. Substations can be integrated into the Exiway Power Control Multi system, making it particularly flexible and convenient.

Exiway Power Control Mega

The pre-configured Exiway Power Control Mega has a power of 5,300 W for up to 640 emergency and safety lamps per central power unit depending on operating duration. Each unit can be fitted with up to 16 modules that drive 2 circuits of 20 luminaires each. It is possible to connect 32 units via TCP/IP, which corresponds to over 20,000 luminaires within one system.

Exiway Power Control Multi

The modular Exiway Power Control Multi can hold up to 48 modules for up to 96 circuits. In turn, a maximum of 32 units or substations can be connected via TCP/IP. This corresponds to over 60,000 luminaires.

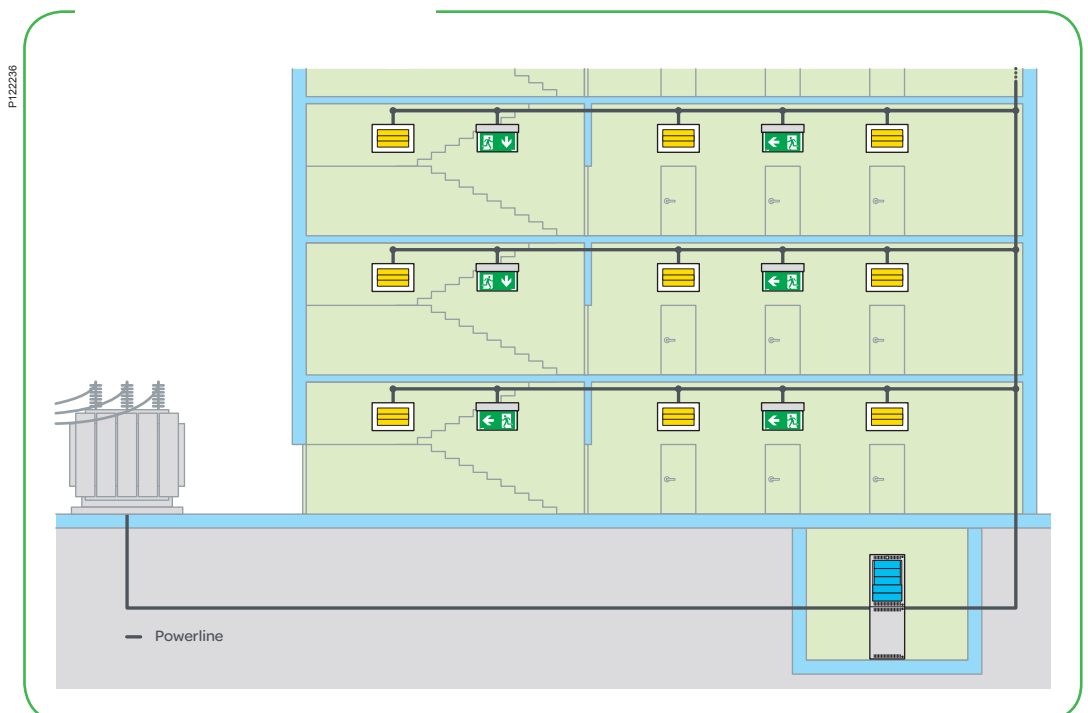


Exiway Power Control
Mega



Exiway Power Control
Multi

Centralised



Exiway Power Control luminaires

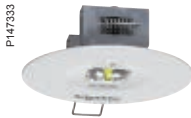
The central battery systems are fitted with the escape route and exit sign luminaires from Schneider Electric. Different designs, technologies and installation types guarantee a broad selection:



Exiway Smartled

flexible, efficient and easy to install:

- Luminaires and exit signs
- LED
- Wall, ceiling, false ceiling and suspended mounted
- IP65



Recessed



Surface

Exiway Smartbeam

discreet and efficient:

- LED
- Flush in false ceiling or surface mounted lighting of escape and exit routes
- IP42 recessed
- IP65 surface



Exiway Smartexit exit sign

elegant and flexible:

- LED
- Wall, ceiling, vertical flag mounted, suspended mounted
- IP40



Lys exit signs

stylish and slim:

- Polymethacrylate screen (PMMA)
- Wall, flag, ceiling and false ceiling mounted
- IP42

Exiway Power Control modules and accessories

Thanks to a wide range of modules and accessories, the functionality of the Exiway Power Control system family can be increased and adjusted for specific requirements. These accessories include circuit modules for supplying power to the emergency and safety lighting, monitoring modules for mains and idle current, remote status panels as well as switch query modules. Ethernet switches for connection and networking in building technology.



MMO
Light switch query module



Batteries
12 V Pb

P14779



P119167



A

P148163



Low maintenance means lower costs



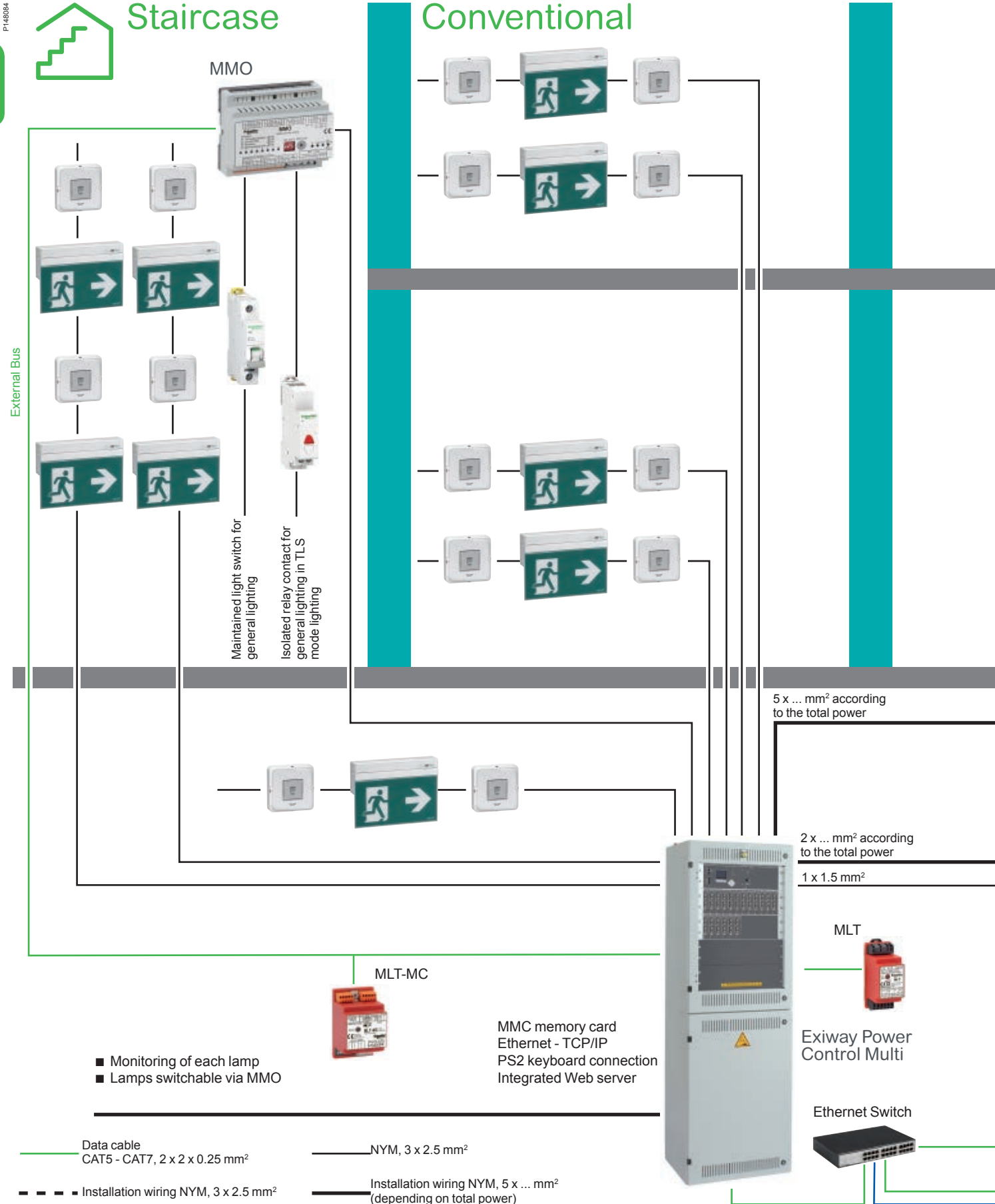
Efficiency

All Exiway Power Control systems are particularly low maintenance thanks to the long service life of the maintenance free lead-acid batteries (approx. 12 years). If the batteries need to be replaced, this is performed centrally without any long delays, saving time. The luminaires with LED technology are a further positive for cost savings. A long service life and low power consumption, in particular for maintained lamps, are qualities that speak for themselves.

LED technology

- Eliminate relamping: LED units offer a 100,000 hours lifespan expectation.
- Reduce energy consumption by 50%.
- Improve the safety of people and property.
- Protect the environment.
- Get a rapid return on investment.

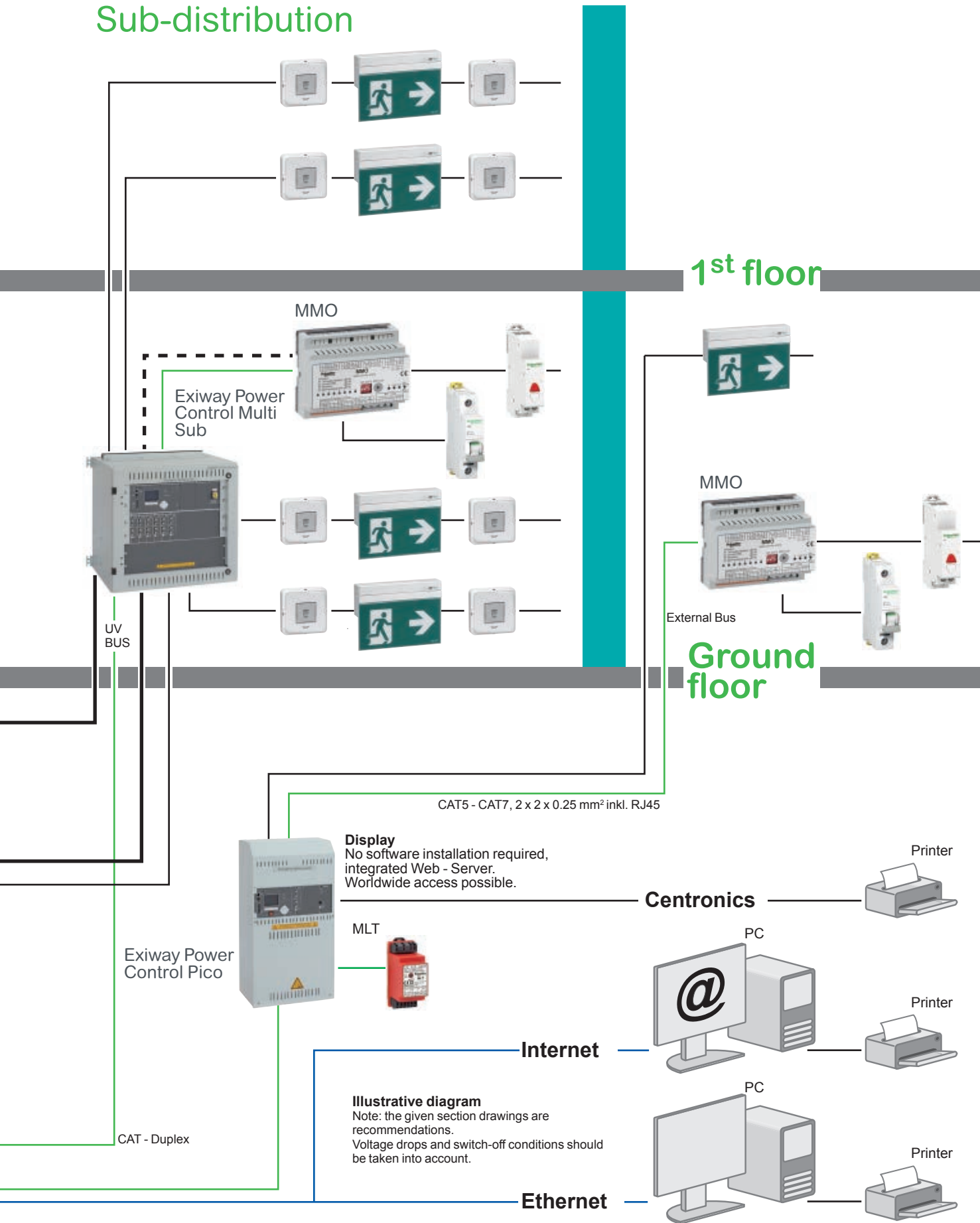
Central battery system Italy country requirement



A

P148084

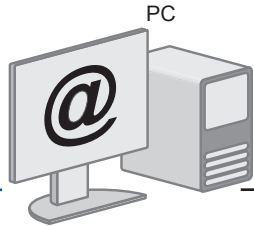
Sub-distribution



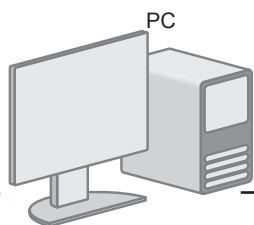
Display
No software installation required,
integrated Web - Server.
Worldwide access possible.



Centronics



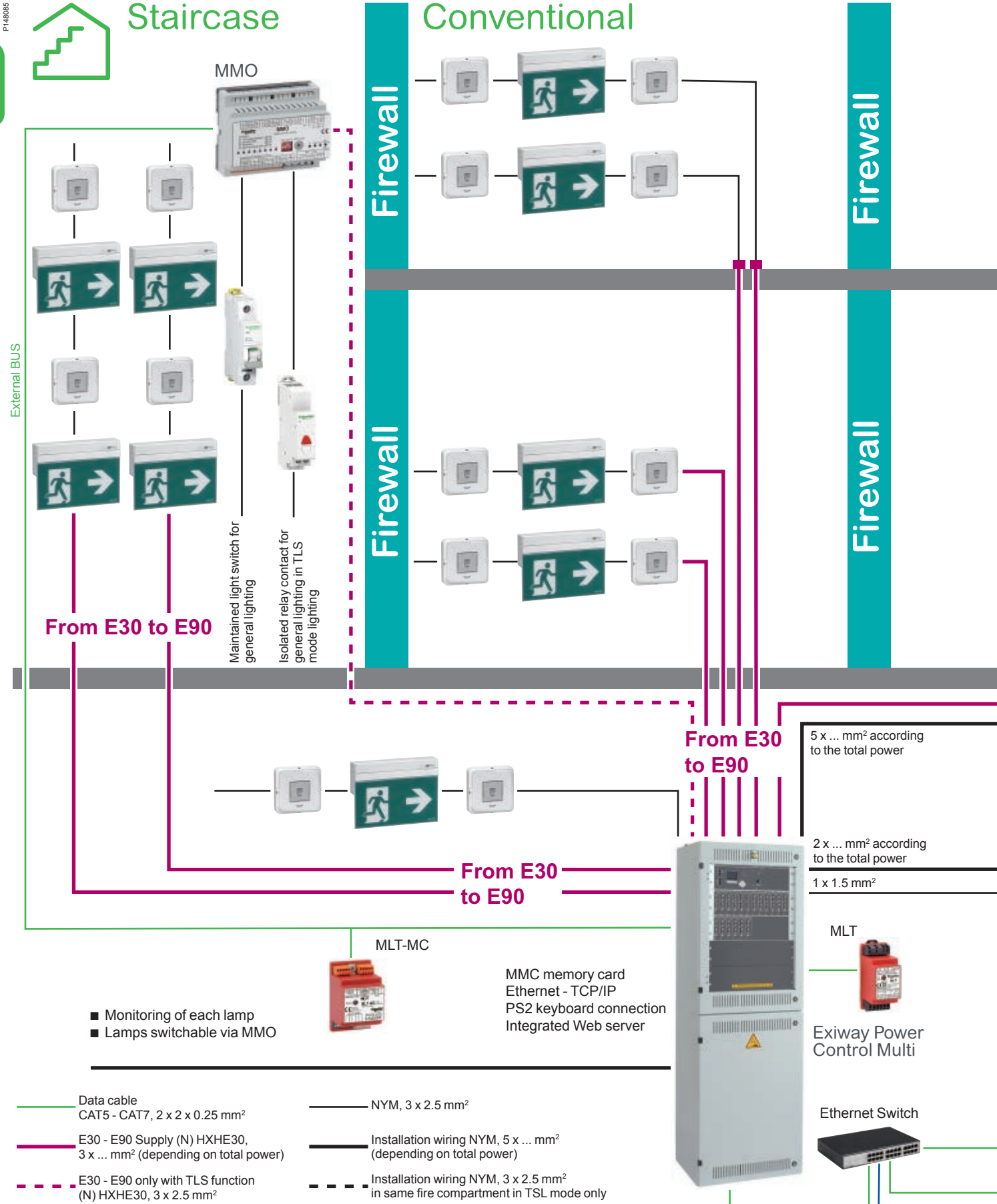
Internet



Ethernet

Illustrative diagram
Note: the given section drawings are
recommendations.
Voltage drops and switch-off conditions
should be taken into account.

Central battery system IEC 60364-5-56 compliant



A

P148085

External BUS

Staircase

Conventional

Firewall

Firewall

MMO

From E30 to E90

Maintained light switch for general lighting
Isolated relay contact for general lighting in TLS mode lighting

From E30 to E90

From E30 to E90

5 x ... mm² according to the total power

2 x ... mm² according to the total power

1 x 1.5 mm²

MLT-MC

MMC memory card
Ethernet - TCP/IP
PS2 keyboard connection
Integrated Web server

MLT

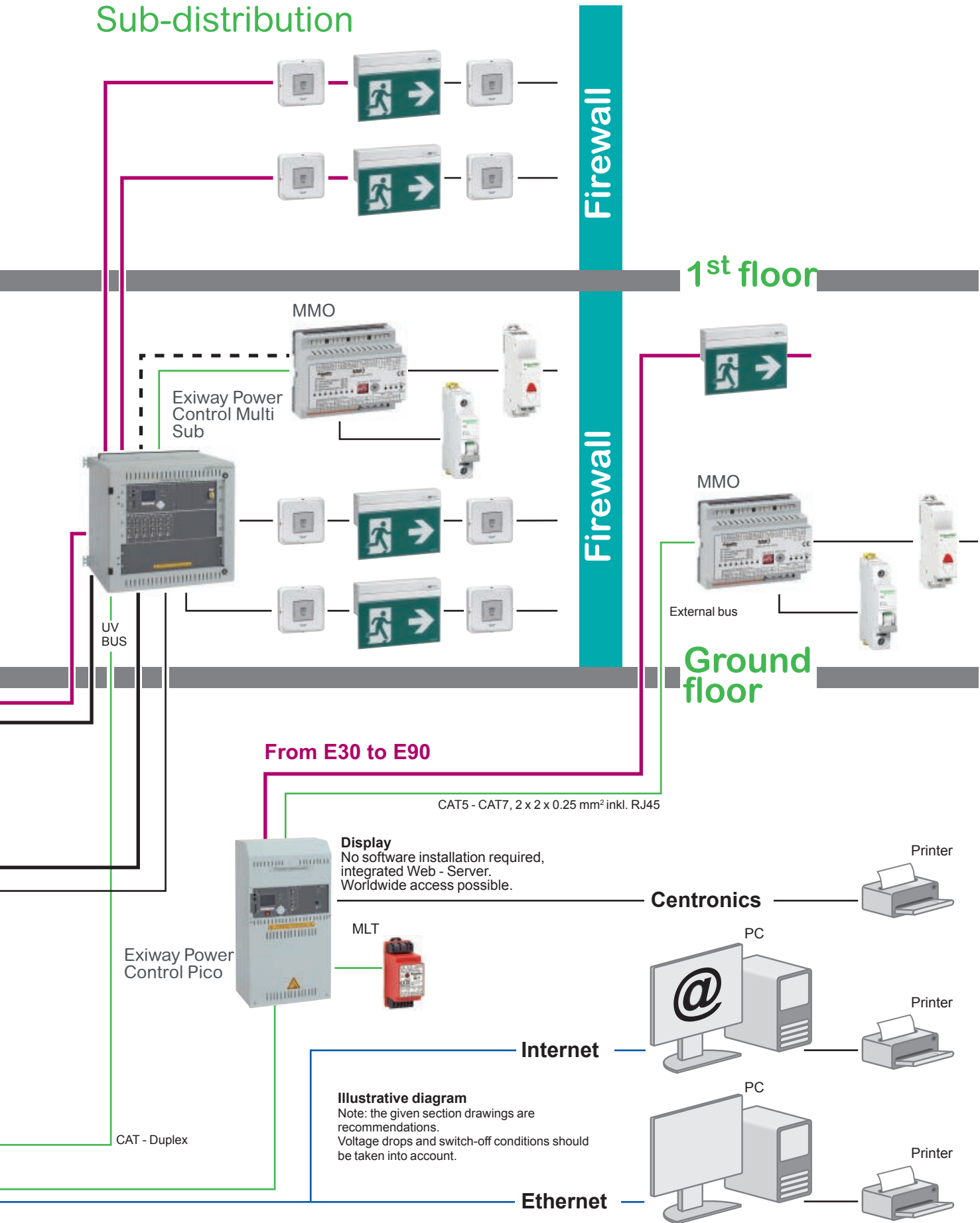
Exiway Power Control Multi

Ethernet Switch

- Monitoring of each lamp
- Lamps switchable via MMO

- Data cable
CAT5 - CAT7, 2 x 2 x 0.25 mm²
- E30 - E90 Supply (N) HXHE30,
3 x ... mm² (depending on total power)
- - - E30 - E90 only with TLS function
(N) HXHE30, 3 x 2.5 mm²
- NYM, 3 x 2.5 mm²
- Installation wiring NYM, 5 x ... mm²
(depending on total power)
- - - Installation wiring NYM, 3 x 2.5 mm²
in same fire compartment in TSL mode only

Sub-distribution



Exiway Power Control Pico	16
Exiway Power Control Nano	18
Exiway Power Control Mega	20
Exiway Power Control Multi	22
Substations.....	25



Exiway Power Control Pico

Up to 500 W

P1222206



B

Exiway Power Control Pico

Function

The Exiway Power Control Pico is a low power supply system (up to 500 W) for a 1-, 3- or 8 hour operation. This system combines the high reliability of a decentralized single-battery system with the ease and comfort of a central battery system.

Presentation

■ Exiway Power Control Pico works in switched mode 230 V AC or 216 V DC and can be equipped with up to 6 main circuits. One additional circuit is installed by default. This assures the possibility to connect conventional luminaires with electronic ballast and an input voltage of 230 V AC- 216 V DC. In combination with our innovative LED luminaires energy efficiency, durability and lighting improvements in all parts of the building can be optimized.

■ The integrated browser-based visualization software makes the system capable to monitor all connected emergency and rescue route luminaires and report immediately in case of failure.

Technical data

Type	Catalogue number			
Exiway Power Control Pico	OVA18045	OVA18046	OVA18080 (2)	OVA18047
Main circuits (1)	2	4	4	6
Luminaires (max.)	40	80	80	120
Power supply	230 V AC, 50 Hz ±10 % (60 Hz on demand)			
Switched mode	230 V AC - 216 V DC ±15 %			
Battery (included)	216 V DC			
	18 x 12 V, 5.2 Ah			
Autonomy	1 h: 2.3 A, ~500 W			
	3 h: 0.93 A, ~200 W			
	8 h: 0.37 A, ~80 W			
AC connected load (max.)	2000 VA			
DC connected load (max.)	500 W (1 hour)			
	200 W (3 hours)			
	80 W (8 hours)			
Operating temperature	0°C to 35°C			
Installation method	Wall/Floor mounted			
Case material	Steel-sheet, grey RAL 7035			
Protection rating	IP20			
Insulation class	I			
Dimensions (H x W x D)	630 x 350 x 230 mm			

(1) One additional circuit is installed by default, max. 150 VA.





(2) OVA18080 has MDL12E main circuit modules and the others cat.no. have MDL32.








Description

- Low power system in switched mode 230 V AC, 50 Hz and 216 V DC
- Automated monitoring of the system and all connected luminaires by circuit and/or single luminaire monitoring without additional data cables
- Independant system with combined switching for non-maintained, maintained and switched maintained luminaires
- Service friendly 19" modular case
- Test records are stored for 5 years
- Different interface languages possible
- Management and failure monitoring for up to 20 luminaires per circuit
- Max. 6 main circuits, as 648 VA (MLD32) and one circuit in non-maintained or maintained mode with max. 150 VA (programmable)
- MLD12E modules (inside OVA18080) allows single switching and switched maintained from the software
- Maximum connected load (mains) of 2000 VA
- Information reports about the system, circuits and luminaires as plain text and Control-LED
- Temperature sensor for battery
- Connectivity for additional external modules like MMO, MLT-MC via RS485 interface
- Up to 6 control inputs can be assigned to each circuit
- Networking of multiple devices via Ethernet (TCP/IP)
- Integrated Web - Server for remote maintenance of the system, visualization of floor plans and much more
- Internal light switch query module MMO:
 - 8 light switch inputs (230 V, 50 Hz)
 - power supply (230 V, 50 Hz) for internal connection with terminal connector
 - 3 switching modes programmable
- Internal I/O module:
 - 7 relay outputs, 230 V, 6 A, isolated change-over contacts
 - 4 galvanically isolated inputs 18 V DC - 250 V DC or 184 V AC - 276 V AC, selectable polarity, user defined message text and function
 - up to 5 modules (multi-bus)
- Internal CCIF - Critical Circuit Interface module:
 - surveillance of closed current loop
 - internal protection against overvoltage
- A lockable polycarbonate cover for the controls of the Exiway Power Control Pico is available as option to protect against unauthorized access
- Use of 230 V AC - 216 V DC luminaires possible.

Spare parts

Type	Catalogue number
Central unit MCPU  P122157	OVA18546 **
Charger module MCHG  P122158	OVA18515
Main circuit module MLD32  P122159	OVA18541 **
Main circuit module MLD12E  P148160	OVA18549 **

Accessories

Type	Catalogue number
MLT-MC - Line monitor (three phase net monitoring)  P122170	OVA18509
MMO - Light switch query module  P122168	OVA18506 * OVA18544 **
External printer  P122166	OVA18517
MLT - Mains monitoring (external mounting only)  P122171	OVA18508
Polycarbonate cover plate to protect against unauthorized access (lockable)  P122174	OVA18526

* Order this reference to have it inside the machine (assembled).
 ** Order this reference as spare part.

P122202



B

Function

The Exiway Power Control Nano is a low power supply system (up to 1500 W) for a 1-, 3- or 8 hour operation. This system combines the high reliability of a decentralized single-battery system with the ease and comfort of a central battery system.

Presentation

■ Exiway Power Control Nano works in switched mode 230 V AC or 216 V DC and can be equipped with up to 12 main circuits. One additional circuit is installed by default. This assures the possibility to connect conventional luminaires with electronic ballast and an input voltage of 230 V AC - 216 V DC. In combination with our innovative LED luminaires energy efficiency, durability and lighting improvements in all parts of the building can be optimized.

■ The integrated browser-based visualization software makes the system capable to monitor all connected emergency and rescue route luminaires and report immediately in case of failure.

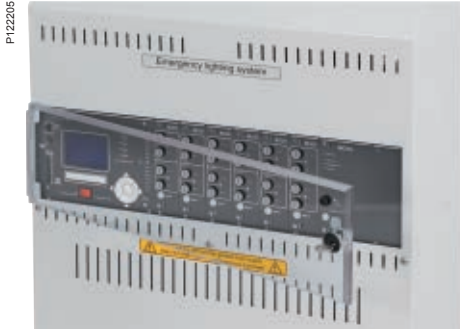
Exiway Power Control Nano

Technical data

Type	Catalogue number						
	OVA18048	OVA18049	OVA18050	OVA18051	OVA18081 (2)	OVA18052	OVA18053
Exiway Power Control Nano							
Main circuits (1)	2	4	6	8	8	10	12
Luminaires (max.)	40	80	120	160	160	200	240
Power supply	230 V AC, 50 Hz ±10 % (60 Hz on demand)						
Switched mode	230 V AC - 216 V DC ±15 %						
Battery (included)	216 V DC 18 x 12 V, 17 Ah						
Autonomy	1 h: 6.95 A, ~1500 W 3 h: 2.32 A, ~500 W 8 h: 1.39 A, ~300 W						
AC connected load (max.)	2000 VA						
DC connected load (max.)	1500 W (1 hour) 500 W (3 hours) 300 W (8 hours)						
Operating temperature	0°C to 35°C						
Installation method	Wall/Floor mounted						
Case material	Steel-sheet, grey RAL 7035						
Protection rating	IP20						
Insulation class	I						
Dimensions (H x W x D)	1100 x 500 x 230 mm						

(1) One additional circuit is installed by default, max. 150 VA.

(2) OVA18081 has MDL12E main circuit modules and the others cat.no. have MDL32.



Description

- Low power system in switched mode 230 V AC, 50 Hz and 216 V DC
- Automated monitoring of the system and all connected luminaires by circuit and/or single luminaire monitoring without additional data cables
- Independant system with combined switching for non-maintained, maintained and switched maintained luminaires
- Service friendly 19" modular case
- Test records are stored for 5 years
- Different interface languages possible
- Management and failure monitoring for up to 20 luminaires per circuit
- Max. 12 main circuits, as 648 VA (MLD32) and one circuit in non-maintained or maintained mode with max. 150 VA (programmable)
- MLD12E modules (inside OVA18081) allows single switching and switched maintained from the software
- Maximum connected load (mains) of 2000 VA
- Information reports about the system, circuits and luminaires as plain text and Control-LED
- Temperature sensor for battery
- Connectivity for additional external modules like MMO, MLT-MC via RS485 interface
- Up to 6 control inputs can be assigned to each circuit
- Networking of multiple devices via Ethernet (TCP/IP)
- Integrated Web - Server for remote maintenance of the system, visualization of floor plans and much more
- Internal light switch query module MMO:
 - 8 light switch inputs (230 V, 50 Hz)
 - power supply (230 V, 50 Hz) for internal connection with terminal connector
 - 3 switching modes programmable
- Internal I/O module:
 - 7 relay outputs, 230 V, 6 A, isolated change-over contacts
 - 4 galvanically isolated inputs 18 V DC - 250 V DC or 184 V AC - 276 V AC, selectable polarity, user defined message text and function
 - up to 5 modules (multi-bus)
- Internal CCIF - Critical Circuit Interface module:
 - surveillance of closed current loop
 - internal protection against overvoltage
- A lockable polycarbonate cover for the controls of the Exiway Power Control Nano is available as option to protect against unauthorized access.
- Use of 230 V AC - 216 V DC luminaires possible.



Spare parts

Type	Catalogue number
Central unit MCPU	OVA18546 **
Charger module MCHG	OVA18515
Main circuit module MLD32	OVA18541 **
Main circuit module MLD12E	OVA18549 **

Accessories

Type	Catalogue number
MLT-MC - Line monitor (three phase net monitoring)	OVA18509
MMO - Light switch query module	OVA18506 * OVA18544 **
External printer	OVA18517
MLT - Mains monitoring (external mounting only)	OVA18508
Polycarbonate cover plate to protect against unauthorized access (lockable)	OVA18518

* Order this reference to have it inside the machine (assembled).

** Order this reference as spare part.

Exiway Power Control Mega

Up to 5300 W

P122180



Exiway Power Control Mega

Function

The Exiway Power Control Mega is a preconfigured central battery system with single luminaire monitoring without additional wires, free programmable circuits and 5-year log book for connecting emergency and security luminaires with LED, fluorescent or halogen lamps. Available either with one or two chargers to 2.5 A. The central can be equipped with batteries up to 55 Ah, performs an output of 5300 W for 1 hour, 2300 W for 3 hours or 1000 W for 8 hours.

Presentation

- The circuit module supplies all connected luminaires to the system with electricity. Each outlet can be programmed for circuit monitored systems and for single luminaire monitoring. A combined operation is also possible. The Exiway Power Control Mega can hold up to 16 modules of types MLD42 for up to 32 current circuits.
- Each module is designed for 2 output circuits, each with up to 20 lights. Each circuit can be programmed as non-maintained light, maintained light, switched maintained light or a staircase light. Maintained lights and emergency lights can be operated combined. This allows up to 640 emergency or safety lights to be supplied.
- The built-in Web interface with visualization software allows to set up and monitoring the system and the connected lights very comfortable from any networked PC. The position of the installed luminaires can be shown on a stored building plan.
- Up to 32 systems can be linked by TCP/IP. This allows a maximum of 1024 circuits and 20480 luminaires to be connected and monitored by the whole system.

Technical data

Type	Catalogue number		
Exiway Power Control Mega	OVA18054	OVA18055	
Main circuits	32	32	
Luminaires (max.)	640	640	
Charger	2.5 A	5 A	
Power supply	400 V AC three phase + neutral, 50 Hz ±10 % (60 Hz on demand)		
Output voltage	216 V DC ±15 %		
Output circuits	32 circuits max. with switchover for non-maintained or maintained operation		
Battery (not included)	Maintenance-free, closed lead acid cell		
Performance Data incl. 25 % aging reserve	Battery	1 h	3 h
	26 Ah	2430 W	1069 W
	28 Ah	2689 W	1085 W
	33 Ah	3078 W	1345 W
	40 Ah	3839 W	1620 W
	45 Ah	3985 W	1750 W
55 Ah	5314 W	2300 W	
Operating temperature	0°C to 35°C		
Installation method	Floor mounted		
Case material	Steel-sheet, grey RAL 7035		
Protection rating	IP20		
Insulation class	I		
Dimensions (H x W x D)	1950 x 600 x 450 mm		

P122159



P122160



Optional main circuit modules

Type	Catalogue number
Double current circuit slide-in unit MLD 19"	
MLD42	OVA18504 *
Double slide-in unit 2 x 4 A (fusing: 6.3 A) all modes possible non-maintained/maintained	OVA18542 **

* Order this reference to have it inside the machine (assembled).



** Order this reference as spare part.








Description

- According to DIN VDE 0100-718, DIN EN 50172, E DIN VDE 0108-100 and ÖVE/ÖNORM E8002
- Microprocessor-based function control system
- Memory for test results over 5 years
- Illuminated large LCD display with plain text display
- Multilingual switch-selectable
- Password protected
- Service contact preprogrammed
- Easy and understandable programming with 8 buttons
- Extern PC keyboard for the fastly configuration of the device (PS2)
- Memory-Card (MultiMediaCard) for software updates
- RS-232 interface
- Centronics printer interface included
- Ethernet interface
- Control and monitoring over Web browser
- Display of lamp positions and state in a building ground plan
- Free programmable circuits
- Single lamp monitoring without additional wires
- Adaptive mains monitoring at every circuit
- Selective Isolation check of every circuit
- Up to 32 circuits in one 19" cabinet
- Battery charger with IUTQ characteristic for a maximum of battery life
- Temperature sensor for battery
- Integrated stand socket
- Internal light switch query module MMO:
 - 8 light switch inputs (230 V, 50 Hz)
 - power supply (230 V, 50 Hz) for internal connection with terminal connector
 - 3 switching modes programmable
- Internal I/O module:
 - 7 relay outputs, 230 V, 6 A, isolated change-over contacts
 - 4 galvanically isolated inputs 18 V DC - 250 V DC or 184 V AC - 276 V AC, selectable polarity, user defined message text and function
 - up to 5 modules (multi-bus)
- Internal CCIF - Critical Circuit Interface module:
 - surveillance of closed current loop
 - internal protection against overvoltage.

Spare parts

Type	Catalogue number
Central unit MCPU 	OVA18546 **
Charger module MCHG 	OVA18515

Accessories

Type	Catalogue number
MLT-MC - Line monitor (three phase net monitoring) 	OVA18509
MMO - Switch query module 	OVA18506 * OVA18544 **
Embedded printer 	OVA18530
MLT - Mains monitoring (external Mounting only) 	OVA18508
Polycarbonate cover plate to protect against unauthorized access (lockable) 	OVA18527

* Order this reference to have it inside the machine (assembled).
 ** Order this reference as spare part.

P122183



Exiway Power Control Multi

B

Function

The Exiway Power Control Multi is a modular 19"-central battery system according to EN 50171 featuring single light monitoring without additional wires, free programmable circuits and 5-year log-book. The system is available in different cases with internal or external battery compartment.

Presentation

- The built-in Web interface with integrated visualization software makes it possible to display even large projects clearly on a building plan. In addition, the test results and incidents of a particular date are retrieved and displayed together with all relevant operating parameters. This minimizes the maintenance costs.
- The system can be configured by keyboard, on the device itself or through a TCP/IP network connection to a remote PC. The 19" rack design allows to upgrade or exchange modules individually.
- The circuit module supplies all connected luminaires to the system with electricity. Each outlet can be programmed for circuit monitored systems and for single luminaire monitoring. A combined operation is also possible. The combined case can hold up to 48 modules for up to 96 current circuits. One additional circuit is installed by default.
- Each module is designed for 2 output circuits, each with up to 20 lights. Each circuit can be programmed as non-maintained light, maintained light, switched maintained light or a staircase light. Maintained lights and emergency lights can be operated combined.
- The Exiway Power Control Multi allows the connection of LED lamps, fluorescent lamps or low-voltage halogen lamps. Up to 32 systems or substations can be linked via a serial or TCP/IP connection to a network. This allows a maximum of 3072 circuits and 61440 lights to be connected and monitored to the whole system.
- Exiway Power Control Multi comes with numerous charging modules, and thus have more or bigger transformers inside. For these, the space inside the cabinet will be used, while the batteries are placed in an extra cabinet. The Multi and the battery cabinet have a uniform appearance and are designed to standing side-by-side.

Technical data

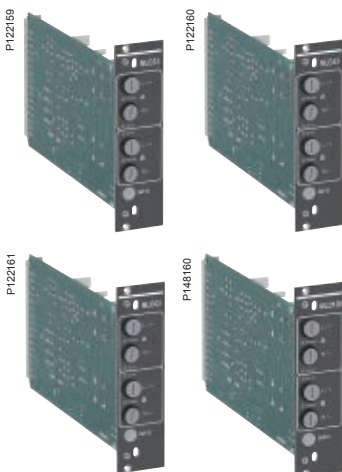
Technical data	
Power supply	400 V AC three phase + neutral, 50 Hz ±10 % (60 Hz on demand)
Output voltage	216 V DC ±15 %
Output circuits	96 circuits max. with switchover for non-maintained, maintained operation, single switching and switched maintained available with MDL12E module
Battery (not included)	Maintenance-free, closed lead acid cell
Operating temperature	0°C to 35°C
Installation method	Floor mounted
Case material	Steel-sheet, grey RAL 7035
Protection rating	IP20
Insulation class	I
Dimensions (H x W x D)	1800 x 600 x 450 mm 1500 x 600 x 450 mm (up to 45 Ah) 1850 x 600 x 800 mm (MCX up to 100 Ah)

Optional main circuit modules

Type	Catalogue number
Double current circuit slide-in unit MLD 19"	
MLD32 Double slide-in unit 2 x 3 A (fusing: 5 A) all modes possible non-maintained/maintained	OVA18503 * OVA18541 **
MLD42 Double slide-in unit 2 x 4 A (fusing: 6.3 A) all modes possible non-maintained/maintained	OVA18504 * OVA18542 **
MLD62 Double slide-in unit 2 x 6 A (fusing: 10 A) all modes possible non-maintained/maintained	OVA18505 * OVA18543 **
MLD12E Double slide-in unit 2 x 1 A (fusing: 5 A) single switching, all modes possible non-maintained/maintained/switched maintained	OVA18548 * OVA18549 **

* Order this reference to have it inside the machine (assembled).

** Order this reference as spare part.





Exiway Power Control MCX

Description

- According to DIN VDE 0100-718, DIN EN 50172, E DIN VDE 0108-100 and ÖVE/ÖNORM E8002
- Microprocessor-based function control system
- Memory for test results over 5 years
- Illuminated large LCD display with plain text display
- Multilingual switch-selectable
- Password protected
- Service contact preprogrammed
- Easy and understandable programming with 8 buttons
- External PC keyboard for the fastly configuration of the device (PS2)
- Memory-Card (MultiMediaCard) for software updates
- RS-232 interface
- Centronics printer interface included, optionally recessed printer
- Ethernet interface
- Control and monitoring over Web browser
- Display of lamp positions and state in a building ground plan
- Mains circuits MLD with 1 A, 3 A, 4 A and 6 A normal current
- Free programmable circuits
- Single lamp monitoring without additional wires
- Adaptive mains monitoring at every circuit
- Selective isolation check of every circuit
- Up to 96 circuits in one 19" cabinet
- Battery charger with IUTQ characteristic for a long-lasting battery
- Temperature sensor for battery.





Catalogue numbers









Type	Charger	Main circuits (max.)	MLD (max.)	Catalogue number
Combi device included charger, battery compartment for up to 45 Ah, AC-feeding 1 x, 2 x or 3 x 230 V, 50 Hz				
Exiway Power Control Multi combi 1500	2.5 A	12	6	OVA18056
	2.5 A	24	12	OVA18057
	2.5 A	36	18	OVA18058
Basic device included charger, AC-feeding 1 x, 2 x or 3 x 230 V, 50 Hz				
Exiway Power Control Multi 1800	7.5 A	12	6	OVA18059
	10 A	12	6	OVA18060
	12.5 A	12	6	OVA18061
	15 A	12	6	OVA18062
	17.5 A	12	6	OVA18063
	20 A	12	6	OVA18064
	22.5 A	12	6	OVA18065
	25 A	12	6	OVA18066
	20 A	24	12	OVA18067
	25 A	24	12	OVA18068
	10 A	36	18	OVA18069
	20 A	36	18	OVA18070
	25 A	36	18	OVA18071
	12.5 A	48	24	OVA18072
	25 A	48	24	OVA18073
	20 A	60	30	OVA18074
	15 A	72	36	OVA18075
25 A	72	36	OVA18076	
15 A	96	48	OVA18077	
Exiway Power Control Multi MCX 1850	2.5 A	48	24	OVA18082
	5 A	72	36	OVA18083

Notice: when connecting substations this may cause a reduced number of current modules or chargers in the main station.
Please refer to our technical department before ordering.

Spare parts

Type	Catalogue number
Central unit MCPU 	OVA18507
Charger module MCHG 	OVA18515

Accessories

Type	Catalogue number
MLT-MC - Line monitor (three phase net monitoring) 	OVA18509
MMO - Light switch query module 	OVA18506 * OVA18544 **
MSWC-IN/OUT - Input and output module 	OVA18512 * OVA18545 **
Embedded printer (not available for OVA18083) 	OVA18530
External printer 	OVA18517
MLT - Mains monitoring (external mounting only) 	OVA18508
Polycarbonate door For 1500 mm cabinet For 1800 mm cabinet For 1850 mm cabinet 	OVA18528 OVA18529 OVA18550 OVA18536
Cabinet extension (H x W x D) 100 x 600 x 450 mm 	OVA18534 OVA18533

* Order this reference to have it inside the machine (assembled).

** Order this reference as spare part.

B

Exiway Power Control Multi (cont.) Substations



Function

Substations offer the same features as the Exiway Power Control Multi main system. The microprocessor-controlled substations operate independently in case of failure on the main system. The substation features all programming options and interfaces of the main system.

Presentation

- Substations feature:
 - a central unit, like a main station Exiway Power Control Multi
 - up to 12 or 24 emergency circuits for Substation OVA18078 or OVA18079
 - a spare connection for MMO-modules and MLT-MCs
 - mounting in metal protection housing.



Technical data

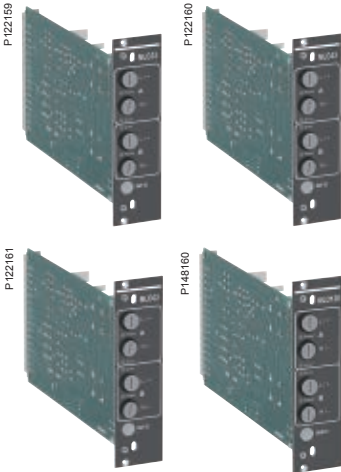
Type	Catalogue number	
Exiway Power Control Multi Sub	OVA18078	OVA18079
Main circuits	12	24
MLD (max.)	6	12
Operating temperature	0°C to 35°C	
Installation method	Wall mounted	
Case material	Steel-sheet, grey RAL 7035	
Protection rating	IP21	
Insulation class	I	
Dimensions (H x W x D)	550 x 600 x 450 mm	

Optional main circuit modules

Type	Catalogue number
Double current circuit slide-in unit MLD 19"	
MLD32 Double slide-in unit 2 x 3 A (fusing: 5 A) all modes possible non-maintained/maintained	OVA18503 * OVA18541 **
MLD42 Double slide-in unit 2 x 4 A (fusing: 6.3 A) all modes possible non-maintained/maintained	OVA18504 * OVA18542 **
MLD62 Double slide-in unit 2 x 6 A (fusing: 10 A) all modes possible non-maintained/maintained	OVA18505 * OVA18543 **
MLD12E Double slide-in unit 2 x 1 A (fusing: 5 A) single switching, all modes possible non-maintained/maintained/switched maintained	OVA18548 * OVA18549 **

* Order this reference to have it inside the machine (assembled).

** Order this reference as spare part.

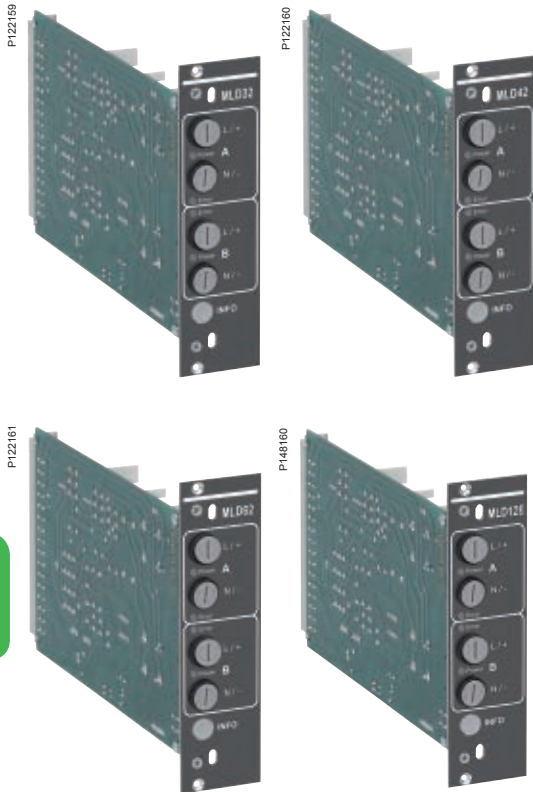


Spare part

Type	Catalogue number
Central unit MCPU 	OVA18507

Modules	28
MLD - Mains circuit modules	28
MMO - Light switch query module	29
MSWC-IN/OUT - Input and output module	29
MLT-MC - Line monitor	30
MLT - Mains monitoring	30
Printers	31
Cover plates	31
MBE200D	31





MLD - Mains circuit modules

Safety and rescue sign luminaires are powered by the mains circuit module MLD. Each outlet at the MLD module can be programmed for circuit monitored systems and for single luminaire monitoring. A combined operation is also possible.

Each module is designed for 2 output circuits, each with up to 20 luminaires. Each circuit can be programmed as continuous light, maintained light, switched maintained light or a staircase luminaire. Maintained and emergency lights can be operated combined.

Type	Description	Fusing	Maximum Load	Catalogue number
MLD32	Double slide-in unit 2 x 3 A all modes possible non-maintained/maintained	5 A	3 A, 648 VA	OVA18503 * OVA18541 **
MLD42	Double slide-in unit 2 x 4 A all modes possible non-maintained/maintained	6.3 A	4 A, 864 VA	OVA18504 * OVA18542 **
MLD62	Double slide-in unit 2 x 6 A all modes possible non-maintained/maintained	10 A	6 A, 1296 VA	OVA18505 * OVA18543 **
MLD12E	Double slide-in unit 2 x 1 A (fusing: 5 A) single switching, all modes possible non-maintained/maintained/switched maintained	5 A	1 A, 250 VA	OVA18548 * OVA18549 **

* Order this reference to have it inside the machine (assembled).

** Order this reference as spare part.

P122169



MMO - Light switch query module

The light switch query module MMO can be used alternatively during the battery operation to switch common of safety lights with the general lights or as a stairwell light control.

The module is indeed fitted with 8 galvanically separate inputs, that can be connected to the light switches or electrical circuits of the general lights and supplied with the 230 V nominal voltage.

The connection to the Exiway Power Control Nano, Pico, Mega and Multi system is carried out via a 4 wire electric cable, up to 16 modules can be connected by this line.

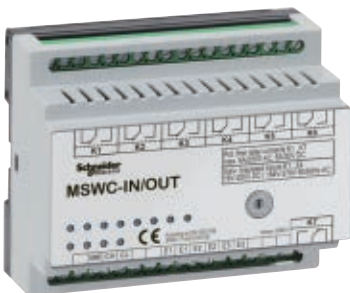
Type	Catalogue number
MMO	OVA18506 * OVA18544 **

* Order this reference to have it inside the machine (assembled).

** Order this reference as spare part.



P122168



MSWC-IN/OUT - Input and output module

The switching input and output module I/O has 7 relay outputs with potential-free changeover contacts. The I/O module no. 1 is programmed to connect a conventional alarm panels.

Furthermore, the I/O module has 4 galvanically isolated switching inputs with selectable polarity. Individual message texts are possible.

Type	Catalogue number
MSWC-IN/OUT	OVA18512 * OVA18545 **
Power supply	+12 V, GND
Bus line (Data line)	C-H, C-L
Switch inputs	E1 to E4 18 V - 255 V DC 185 V - 255 V AC, 50 Hz
Switch outputs	K1 to K7 6 A max. 250 V AC1 6 A max. 30 V DC
Turn coding switch	Address of each MSC-IN/OUT

* Order this reference to have it inside the machine (assembled).

** Order this reference as spare part.

P122170



MLT-MC - Line monitor

The MLT-MC (Exiway Power Control Multi - Line Monitor) primarily serves to monitor voltage supply to general lighting.

The MC line monitors are line monitors for connection to the Exiway Power Control Pico, Nano, Mega and Multi emergency lighting system.

With the MLT-MC it is possible to monitor three phases, e.g. a general mains distribution. The switching threshold for recognising a mains failure or a severe mains fluctuation lies at 85 % of the nominal mains voltage (230 V AC), i.e. at approx. 195 V AC. It is possible to connect the MLT-MC modules to the emergency lighting device in series. The devices have a single addressing module included.

Type	Catalogue number
MLT-MC	OVA18509

C

P122171



MLT - Mains monitoring

The three-phase power supply monitoring MLT primarily serves to monitor voltage supply to general lighting.

A maximum of 3 phases which lead an alternation voltage from 230 V against the neutral conductor are checked. The switching threshold for recognising a mains failure or a severe mains fluctuation lies at 85 % of the nominal mains voltage (230 V AC), i.e. at approx. 195 V AC. For evaluation, two changeover contacts are used with a maximum rating of 2 A at 30 V DC or 230 V AC.

The shift-in occurs automatically. Enclosure for top hat rail TS35.

Type	Catalogue number
MLT	OVA18508

P122186



Printers

- The printer module is specifically designed for connection to the Exiway Power Control Pico, Nano, Mega or Multi master control batteries.
- The master control battery directly sends the printer the data allowing it to print a report on the state of the installation and on all the significant events that have occurred. Any lighting unit failures and the operating and autonomy tests are then recorded. After the report has been used to prepare the maintenance operations, it is kept in the log book, as specified by the standard.
- This module was designed to be wall mounted by means of the holes and slots located at the back of the box.

Type	For	Catalogue number
External printer	Exiway Power Control Pico and Nano	OVA18517
Embedded printer	Exiway Power Control Mega, Multi	OVA18530

P122174



Cover plates

Polycarbonate cover plate to protect against unauthorized access (lockable)

Type	For	Catalogue number	
Transparent cover plate	Exiway Power Control Pico	OVA18526	
	Exiway Power Control Nano	OVA18518	
	Exiway Power Control Mega	OVA18527	
	Exiway Power Control Multi	1500 mm	OVA18528
		1800 mm	OVA18529
1850 mm		OVA18550	

P122172



MBE200D

The power supply monitor allows connected luminaires being operated in maintained, non-maintained and switched maintained mode. In case of a general mains failure all luminaires are switched on.

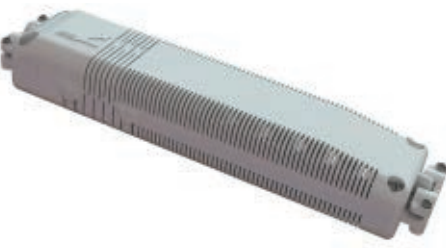
The MBE200D is a controller for use in a safety luminaire. This controller offers all switching modes and can operate a single luminaire survey. The consumers can be monitored without an auxiliary line. The general advantages are:

- Compact design
- Consumers load up to 200 VA
- 2.5 mm² connectors with bypass connection
- Local power supply monitoring.

■ The MBE200D is designed to work with power supply systems of the following types:

- Exiway Power Control Pico
- Exiway Power Control Nano
- Exiway Power Control Mega
- Exiway Power Control Multi

Box MBE200D



Type	Catalogue number
MBE200D	OVA18501
Box IP20 for MBE200D	OVA18539

Exiway Smartled	34
Exiway Smartexit	38
Lys	40
Exiway Smartbeam	44
Faro	46



Exiway Smartled

Technical specifications

Product catalogue numbers

P148940



CE

P148933



Technical specifications


■ Available for maintained and non-maintained operation. The selection is made during first commissioning

- Integrated voltage switching
- Integrated mains monitoring
- Installation: quick fixing plate-body
- Compliant with IEC EN 60598-2-22 standard
- ENEC certification
- Protection rating: IP65, IK07
- Insulation class: II \square
- Installation even on flammable surfaces
- Fire behaviour (IEC 60695-2-10), incandescent wire: 850°C
- Operating temperature: 0...40°C
- Case of self-extinguishing polycarbonate 94V-2 (UL 94)
- Long-lasting LED light source (> 10 years expected in typical environment temperature* condition)
- Power supply: 216 V DC - 230 V AC, 50/60 Hz.

- Products are delivered with an additional removable aesthetic frame
- Vetrosignal OVA53159 is delivered with 5 removable pictograms (Left/Right/Up/Down/Opaline).

(*) Typical environment temperature: 25°C.

Catalogue numbers

Exiway Smartled	Protection rating		Flux (lm)	Luminary source	Consumption		Glasses	Catalogue number
	IP	IK			(VA)	(W)		
LED								
	IP65	IK07	300	LED 9 x 0.5 W	9.2	4.5	Transparent	OVA46020
			650	LED 18 x 0.5 W	13.8	7.5	Transparent	OVA46021
			1000	LED 21 x 0.5 W	18.9	10.5	Transparent	OVA46022

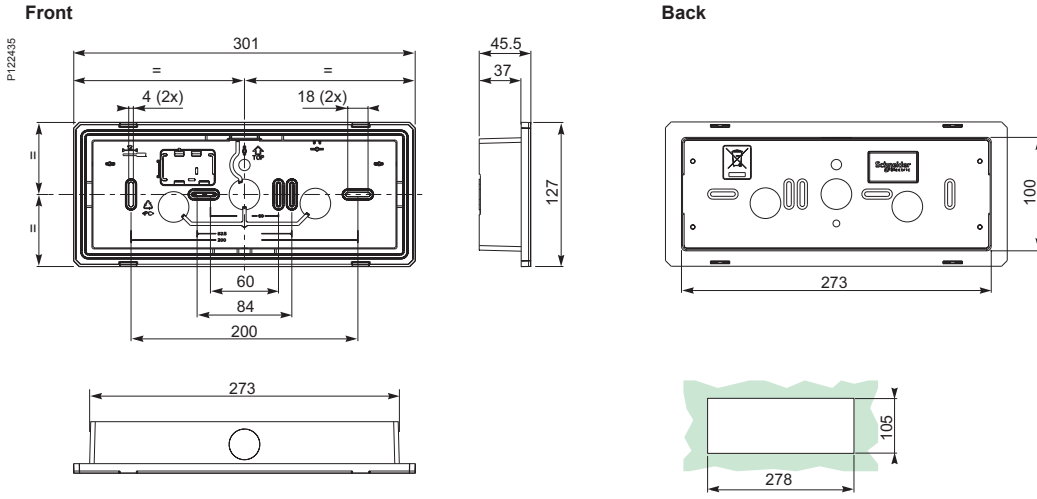
Note: The maintained product can be used in Non-maintained mode. The selection is made on the connector.

Accessories

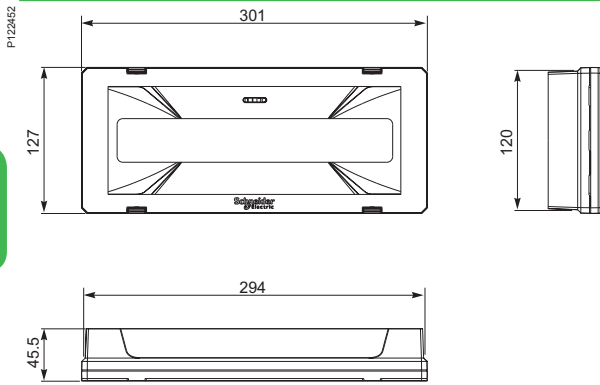
		Compatibility	Dimensions (mm) height x width x depth	Catalogue number
Picto Screen + 3 pictograms Visibility: 24 m With 1 set of 3 removable pictograms: Left/Right/Down	ISO P148935	All	127 x 304 x 30.5	OVA53158
Pictogram for Picto Screen Visibility: 24 m Removable 1 set of 4: 45° Up Left/45° Up Right/ 45° Down Left/45° Down Right	ISO P122463-P122464-P122465-P122466	All	121 x 297 x 0.5	OVA53165
Flush mounting box	White P148934	All	123 x 296 x 47	OVA53157
False ceiling kit with 4 screws: 2 long and 2 short ones	P146734	All	-	OVA59823
Kit tube - connector IP65 kit cable gland + metallic nut + rubber washer	P122464	All	Ø 20, M20	OVA53163
Protective grid IK10	P148937	All	178 x 356 x 73	OVA53160
Vetrosignal + 5 pictograms Visibility: 30 m With 1 set of 5 removable pictograms: Left/Right/Up/ Down/Opaline	ISO P148936	All	188 x 330 x 10	OVA53159
45° pictograms for Vetrosignal Visibility: 30 m Removable 1 set of 4: 45° Up Left/45° Up Right/ 45° Down Left/45° Down Right	ISO P122468-P122469	OVA53159	187 x 330 x 0.5	OVA53164

Dimensions (mm)

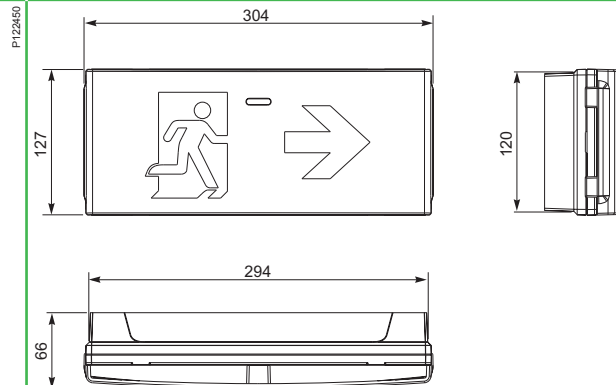
Base alone



Base with aesthetic frame



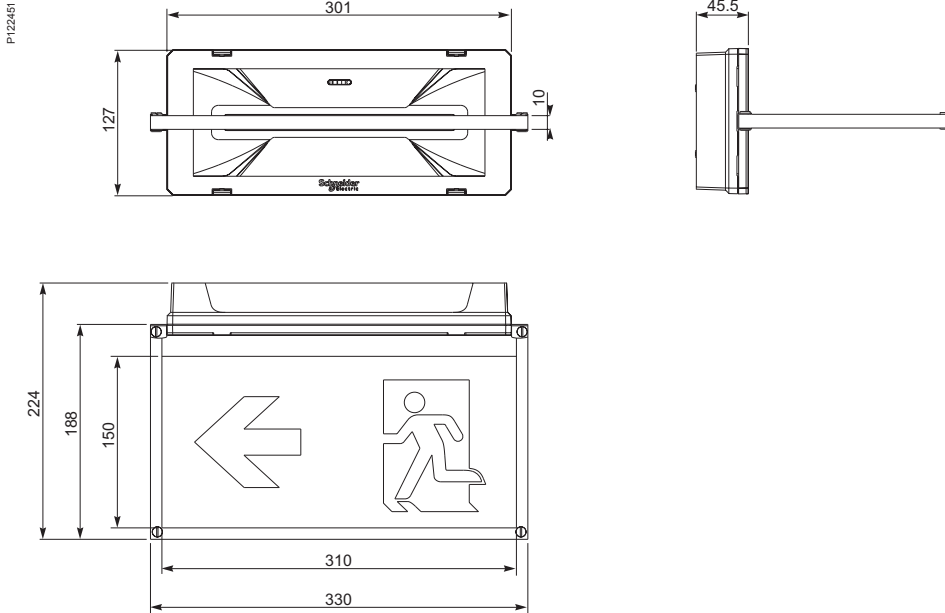
Base with Picto Screen



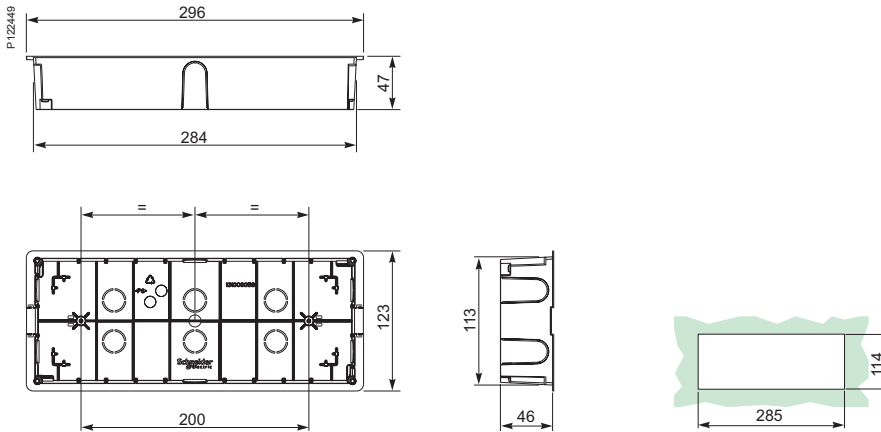
D

Dimensions (mm)

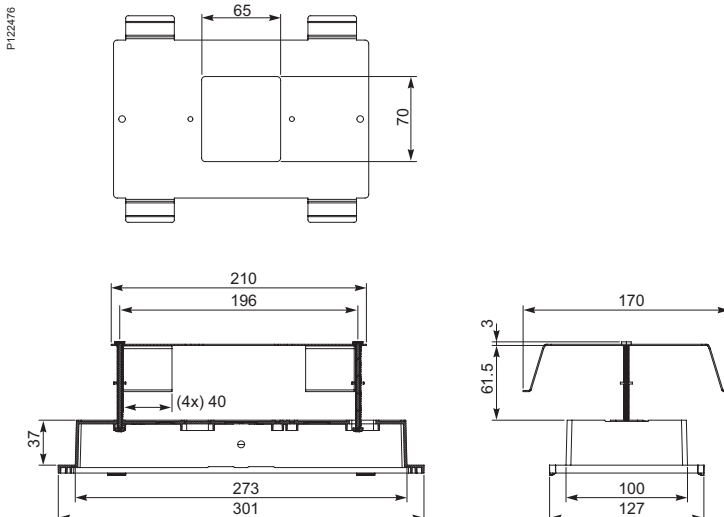
Base with Vetrosignal



Mounting box alone



Base with False ceiling kit



Exiway Smartexit

Technical specifications

Product catalogue numbers



CE
Wall installation



D CE
Ceiling installation (here with large screen)

Technical specifications

- Available for maintained, non-maintained and switched maintained operation: the product can be used in non-maintained mode
- Compliant with IEC/EN 60598-1 , IEC/EN 60598-2-22, IEC/EN 62034, IEC/EN 62471 - group 0 standards
- ENEC certification
- Protection rating: IP40, IK04
- Insulation class: II □
- Installation even on flammable surfaces
- Fire behaviour (IEC 60695-2-10), incandescent wire: 850°C
- Operating temperature: 0...40°C
- Case of self-extinguishing polycarbonate 94V-2 (UL 94)
- Long-lasting LED light source (> 10 years expected in typical environment temperature* condition)
- Can be installed in false ceiling (with kit not included)
- Exit sign screens easy to install in precise position
- Delivered with 6 pictograms: Right, Left, Up, Down, Vertical up and White
- Brackets for wall/flag installation included.
- Visibility distance of the sign in compliance with the new EN 1838 standard: 26 m (OVA46023) and 32 m (OVA46024)
- Power supply: 216 V DC - 230 V AC, 50/60 Hz.

(*) Typical ambient temperature: 25°C

Catalogue numbers

Exiway Smartexit	Protection rating		Flux (lm)	Luminary source	Consumption		Visibility (m)	Catalogue number
	IP	IK			(VA)	(W)		
LED								
	IP40	IK04	40	LED 18 x 0.1 W	6	2.8	26	OVA46023
	IP40	IK04	40	LED 18 x 0.1 W	6	2.8	32	OVA46024

Note: The maintained product can be used in Non-maintained mode. The selection is made on the connector.

Accessories

		Compatibility	Dimensions (mm) height x width x depth	Catalogue number
Pictogram for Picto Screen Visibility: 26 m Removable Set of 7: 2: 45° Up Left/Right 2: 45° Down Left/Right 1: Vertical Down 2: Vertical Left/Right	ISO	All	140 x 260 x 0.3	OVA53173
Pictogram for Picto Screen Visibility: 32 m Removable Set of 7: 2: 45° Up Left/Right 2: 45° Down Left/Right 1: Vertical Down 2: Vertical Left/Right	ISO	All	168 x 308 x 0.3	OVA53174
Suspended kit Allows to separate the pictogram screen from the body, up to 1 meter below		All		OVA53175
Protective grid IK10		26 m versions	254.5 x 312 x 72	OVA53176
		32 m versions	292.5 x 388 x 72	OVA53177



Dimensions (mm)

26 m model	
Wall mounting 	Ceiling mounting
32 m model	
Wall mounting 	Ceiling mounting

Lys

Technical specifications

Product catalogue numbers



Lys-C, suspended
CE



Lys-F, flush mounted
CE



Lys-FL, flag mounted
CE



Lys-W, wall mounted
CE





Technical specifications

- Available for maintained, non-maintained and switched maintained operation.
- Integrated self-testing functionality
- Integrated voltage switching
- Integrated mains monitoring
- Compliant with EN 60598-2-22 standard
- Polymethacrylate (PMMA) screen
- Lamp body in epoxy powder coated steel
- Visibility distance of the sign in compliance with the new EN 1838 standard: 25 or 30 m
- Emergency exit sign operating in maintained modes
- Protection rating: IP42
- Operating temperature 0...+40°C
- Possibility of turning off the permanent operation line by switch
- Installation method: wall, flag, false ceiling or ceiling mounted as per product used
- Fire behaviour (IEC 60695-2-10), incandescent wire: 850°C
- Single-faced and double-faced signalling screens
- Light source:
 - long-lasting LED light source (> 10 years expected in typical ambient temperature* condition)
 - 1 LED exit sign
- Power supply: 216 V DC - 230 V AC, 50/60 Hz.

(*) Typical ambient temperature: 25°C








> These products are sold without screen.
Please choose a screen to get a complete product.

Catalogue numbers

Lys	Protection rating IP	Consumption		Catalogue number
		(VA)	(W)	
Lys-C				
	IP42	5.2	2.3	OVA46013
Lys-F				
	IP42	5.2	2.3	OVA46014
Lys-FL				
	IP42	5.2	2.3	OVA46015
Lys-W				
	IP42	5.2	2.3	OVA46016

Exit sign screens

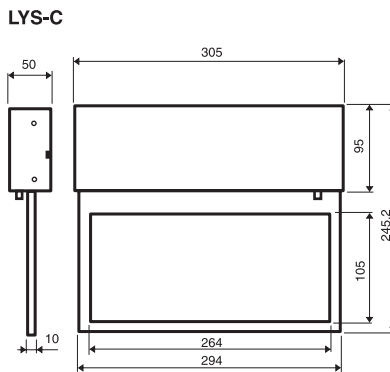
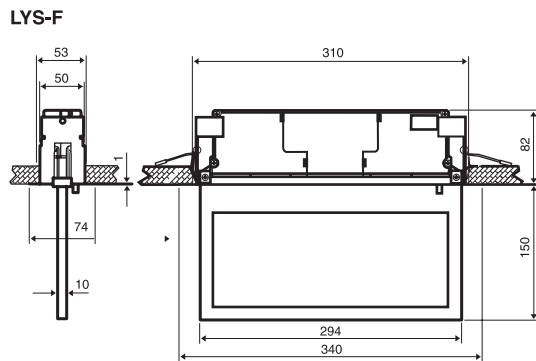
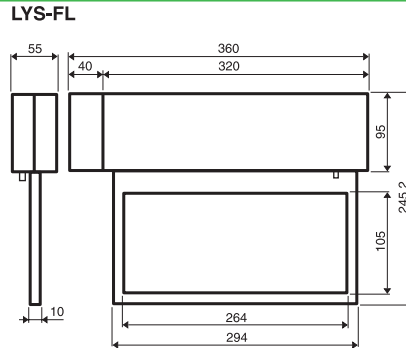
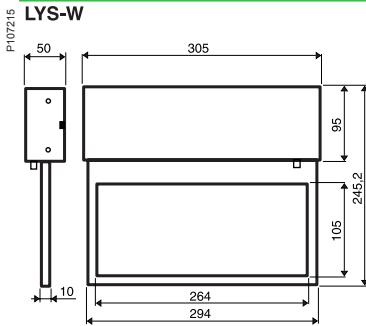
These products are sold without screen. Please choose a screen to get a complete product.

Type	Visibility (m)	Dimensions (mm) (H x W)	Catalogue number
ISO for 1 side signalling			
P112223 	25	127 x 271	OVA53048
	30	150 x 271	OVA53153
P112222 	25	127 x 271	OVA53047
	30	150 x 271	OVA53152
P112221 	25	127 x 271	OVA53046
	30	150 x 271	OVA53151
ISO for 2 sides signalling			
 + 	25	127 x 271	OVA53050
	30	150 x 271	OVA53155
 + 	25	127 x 271	OVA53049
	30	150 x 271	OVA53154



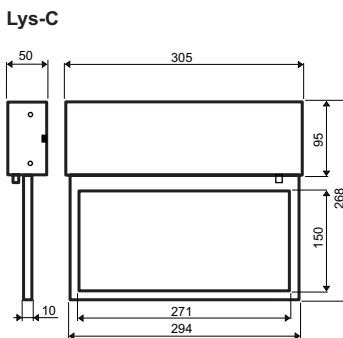
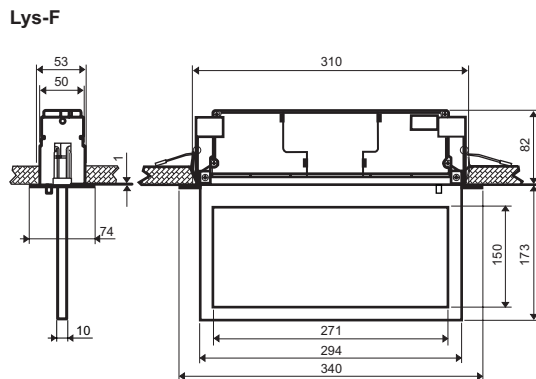
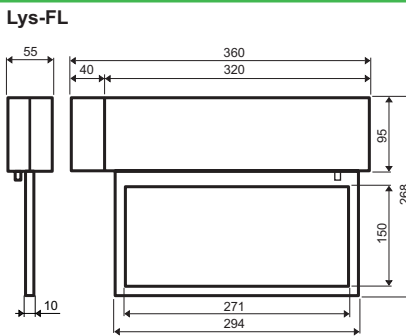
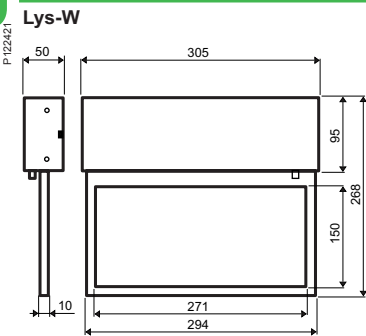
Dimensions (mm)

LYS (25 m)



D

LYS (30 m)



Exiway Smartbeam

Technical specifications

Product catalogue numbers

P148403



Recessed

P147334



Surface

Technical specifications

- Available for maintained operation, non-maintained and switched maintained operation
- Compliant with IEC/EN 60598-1 , IEC/EN 60598-2-22, IEC/EN 62034, IEC/EN 62471 - group 1 standards
- ENEC certification
- Protection rating: IP42/IK04, IP65/IK07
- Insulation class: II
- Operating temperature: 0...40°C
- Fire behaviour (EN 60695-2-10), incandescent wire: 850°C
- Case of self-extinguishing polycarbonate 94V-2 (UL 94)
- Long-lasting LED light source (> 10 years expected in typical ambient temperature* condition)
- Dedicated references available for:
 - recessed installation in false ceiling or surface ceiling installation with Escape route (1 lux) or Open Area (0.5 lux)
 - 5 lux versions are dedicated to being installed near each fire-fighting and alarm devices (according to EN 1838)
 - High ceiling versions dedicated to ceiling higher than 7 meters. Up to 15 meters for Open Area and 18 meters for Escape route version.
- Power supply: 216 V DC - 230 V AC, 50/60 Hz.

(*) Typical ambient temperature: 25°C



D

P147331









Recessed version with Vetrosignal kit accessory

Catalogue numbers

	Exiway Smartbeam		Protection rating		Flux (lm)	Luminary source	Consumption		Catalogue number
	IP	IK	(VA)	(W)					
P147333 	IP42	IK04	5 lux		200	LED 1 x 10 W	6.5	3	OVA46025
			Open area		200	LED 1 x 10 W	6.5	3	OVA46026
			Escape route		200	LED 1 x 10 W	6.5	3	OVA46027
P147334 	IP65	IK07	5 lux		190	LED 1 x 10 W	6.5	3	OVA46028
			Open area		190	LED 1 x 10 W	6.5	3	OVA46029
			High ceiling - Open area		380	LED 1 x 10 W	10.5	5.5	OVA46030
			Escape route		190	LED 1 x 10 W	6.5	3	OVA46031
			High ceiling - Escape route		380	LED 1 x 10 W	10.5	5.5	OVA46032

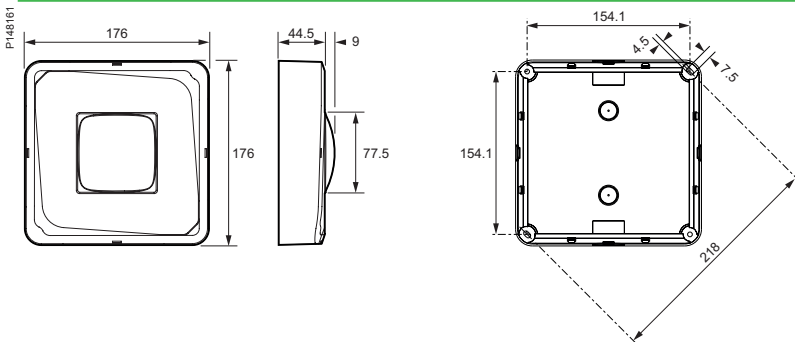
Accessories

	Compatibility	Dimensions (mm) height x width x depth	Catalogue number
Vetosignal kit Visibility 20 m With ISO pictograms (set of 5) right, left, down, up, opaline	False ceiling (escape route only)	115 x 210	OVA53180
P147331  P147024  P146885 			
Pictogram screen kit 45°	False ceiling	115 x 210	OVA53183
P147806  P147807 			
Adaptator ring	False ceiling	Ø 140	OVA53181
P147577 			

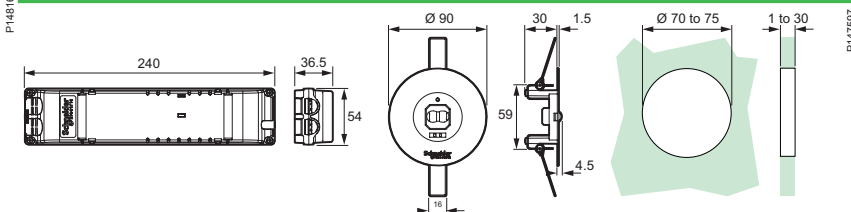


Dimensions (mm)

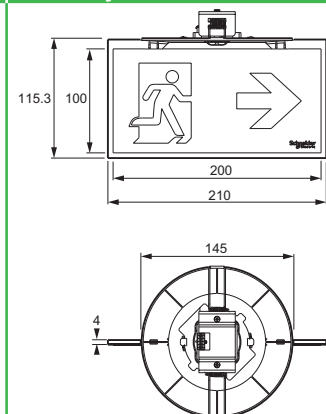
Surface version



Recessed version



Recessed version with Vetosignal kit accessory



Faro

Technical specifications

Product catalogue numbers

Dimensions

P122266




Technical specifications

LED flood light for lighting of escape and rescue routes. Only available as AC/DC lamp. Perfect for high ceilings.

- Can be addressable by use of MBE200D
- Installation method:
 - on the wall
 - on the ceiling
- Lamp body in aluminium
- Beam angle: 120°
- Compliant with DIN EN 60598-1, EN 60598-2-22 and EN 1838 standards
- Protection rating: IP65
- Insulation class I
- Operating temperature: -10...50°C
- Long-lasting LED light source (> 10 years expected in typical ambient temperature* condition)
- Power supply: 216 V DC - 230 V AC.

(*) Typical ambient temperature: 25°C

Catalogue numbers

Faro	Protection rating		Flux (lm)	Luminary source	Consumption		Catalogue number
	IP	IK			(VA)	(W)	
LED							
	IP65	IK07	850	LED 1 x 10 W	20.7	10	OVA46018

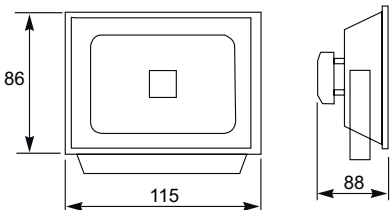
P122266

D

Accessories

Type		Catalogue number
MBE200D	 P122172	OVA18501
Box IP20 for MBE200D	 Box MBE200D	OVA18539

Dimensions (mm)

Faro
 <p>P107218</p>

12 V Pb batteries	50
--------------------------	-----------

Cabinets and Racks	52
---------------------------	-----------

Battery cabinets.....	52
Battery racks.....	52



P122167



The power supply

In case of emergency the safety and rescue sign luminaires are powered by maintenance free acid batteries in all emergency light systems. These are designed according to DIN EN 50272-2 and DIN EN 50171.

The expected lifetime of these batteries is of 12 years when operating in a 20°C ambient temperature.

Temperature sensor is present in each battery cabinet or compartment.

Output for 12 V batteries (calculated with a set of 18 batteries)

Type	OVA51117	OVA51120	OVA51121	OVA51122	OVA51123	OVA51124	OVA51125	OVA51126	OVA51127
Battery capacity Ah	5.2	17	26	28	33	40	45	55	60
Output max. 1 h in W*	864 (691)	2.430 (1.944)	3.240 (2.592)	3.146 (2.514)	4.136 (3.309)	5.044 (4.035)	5.648 (4.519)	7.353 (5.883)	7.420 (5.936)
Output max. 3 h in W*	346 (276)	944 (755)	1.501 (1.201)	1.544 (1.236)	1.642 (1.313)	2.117 (1.693)	2.376 (1.901)	3.256 (2.604)	3.262 (2.609)
Output max. 8 h in W*	130 (104)	423 (339)	653 (523)	711 (569)	783 (626)	872 (697)	1.051 (841)	1.580 (1.264)	1.440 (1.152)

Number of cabinets needed for a set (18 pieces) of batteries of the entire capacity

Exiway Power Control	Pico	1	-	-	-	-	-	-	-
	Nano	-	1	-	-	-	-	-	-
	Mega	-	-	1	1	1	1	1	1
	Multi 1500 mm	-	1	1	1	1	1	1	-
	Multi 1800 mm	-	-	-	-	-	-	-	-
	Multi MCX 1850	-	1	1	1	1	1	1	1
Battery cabinet	OVA18520	-	1	1	1	1	1	-	-
	OVA18521	-	1	1	1	1	1	1	-
	OVA18522	-	1	1	1	1	1	1	1
	OVA18523	-	1	1	1	1	1	1	1
Rack	OVA18524	-	-	-	-	-	-	1	1
	OVA18525	-	-	-	-	-	-	-	-

Required air circulation

Air stream at least (m³/h)	0.3	0.8	1.2	1.3	1.5	1.8	2	2.4	2.6
Profile of the air inlet pipe (cm²)	8.4	22.4	33.6	36.4	42	50.4	56	67.2	72.8

* Performance ratings with 25 % aging Reserve in parantheses

LongLife Series (live expectancy 12 years)

Cat. no.	Voltage	Battery capacity	Dimensions				Weight	Pole/Terminal	Connector
	V		Ah	(H*= overall measurement, including the poles)				Connector	
			L	W	H	H*	kg		mm ²
OVA51117	12	5,2	90	70	101	107	1.85	Faston 6.3 mm	2.5
OVA51120	12	17	181	77	167	167	5.65	T8/M5 inside thread	6
OVA51121	12	26	165	178	125	127	7.93	T8/M5 inside thread	6
OVA51122	12	28	165	125	175	175	9.69	T8/M5 stud bolt with T8/M5 outside thread	6
OVA51123	12	33	195	130	155	180	10.20	T9/M6 inside thread	16
OVA51124	12	40	197	165	170	170	13	T9/M6 inside thread	16
OVA51125	12	45	197	165	170	170	14.20	T9/M6 inside thread	16
OVA51126	12	55	229	138	208	230	18.80	T9/M6 inside thread	16
OVA51127	12	60	260	168	211	233	20.50	T9/M6 inside thread	16
OVA51128	12	65	350	170	170	170	21	T9/M6 inside thread	16
OVA51129	12	75	260	168	211	233	22.40	T9/M6 inside thread	16
OVA51130	12	80	260	168	211	233	24.20	T9/M6 inside thread	16
OVA51131	12	90	306	169	211	233	26.80	T9/M6 inside thread	25
OVA51132	12	100	330	171	214	224	31	T11/M8 inside thread	25
OVA51134	12	120	409	176	225	225	35.80	T11/M8 inside thread	25
OVA51135	12	134	342	172	280	285	43	T11/M8 inside thread	25
OVA51136	12	150	485	172	240	240	45.80	T11/M8 inside thread	25
OVA51137	12	200	522	238	218	238	63.20	T11/M8 inside thread	35
OVA51138	12	260	521	269	220	242	78	T11/M8 inside thread	50

	OVA51128	OVA51129	OVA51130	OVA51131	OVA51132	OVA51134	OVA51135	OVA51136	OVA51137	OVA51138
	65	75	80	90	100	120	134	150	200	260
	7.852 (6.281)	9.094 (7.275)	9.558 (7.646)	10.260 (8.208)	12.744 (10.195)	15.660 (12.528)	16.200 (12.960)	18.360 (14.688)	26.892 (21.514)	29.016 (23.213)
	3.359 (2.687)	4.104 (3.283)	4.212 (3.370)	4.666 (3.732)	5.238 (4.190)	6.318 (5.054)	7.366 (5.892)	7.700 (6.160)	11.988 (9.590)	12.834 (10.267)
	1.540 (1.232)	1.814 (1.452)	1.912 (1.529)	2.128 (1.702)	2.462 (1.970)	2.808 (2.246)	3.175 (2.540)	3.532 (2.825)	5.400 (4.320)	6.228 (4.982)
-	-	-	-	-	-	-	-	-	-	-
-	-	-	-	-	-	-	-	-	-	-
-	-	-	-	-	-	-	-	-	-	-
-	-	-	-	-	-	-	-	-	-	-
-	-	-	-	-	-	-	-	-	-	-
1	1	1	1	1	1	-	-	-	-	-
-	-	-	-	-	-	-	-	-	-	-
-	-	-	-	-	-	-	-	-	-	-
1	1	1	1	1	1	-	-	-	-	-
1	1	1	1	1	1	1	1	1	1	2
1	1	1	1	1	1	-	-	-	-	-
-	-	-	-	-	-	1	1	1	1	1
2.9	3.3	3.5	3.9	4.4	5.2	5.8	6.5	8.7	11.3	
81.2	92.4	98	109.2	123.2	145.6	162.4	182	243.6	316.4	





Battery cabinets

Type	Dimensions (mm) (H x W x D)	Catalogue number
Cabinet	900 x 600 x 450	OVA18520
	1100 x 600 x 450	OVA18521
	1800 x 600 x 450	OVA18522
	1800 x 800 x 600	OVA18523



E

Battery racks

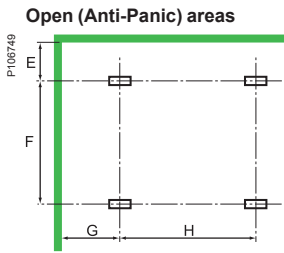
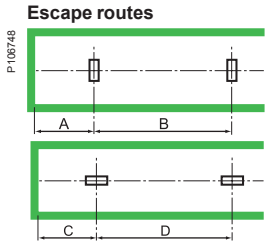
Type	Dimensions (mm) (H x W x D)	Catalogue number
Rack	880 x 1150 x 470	OVA18524
	880 x 1650 x 590	OVA18525



Technical data

Type	Battery cabinets				Battery racks	
Catalogue number	OVA18520	OVA18521	OVA18522	OVA18523	OVA18524	OVA18525
Number of 12 V batteries max.						
OVA51117	-	-	-	-	-	-
OVA51120	18	18	18	18	-	-
OVA51121	18	18	18	18	-	-
OVA51122	18	18	18	18	-	-
OVA51123	18	18	18	18	-	-
OVA51124	18	18	18	18	-	-
OVA51125	18	18	18	18	-	-
OVA51126	-	18	18	18	18	-
OVA51127	-	-	18	18	18	-
OVA51128	-	-	18	18	18	-
OVA51129	-	-	18	18	18	-
OVA51130	-	-	18	18	18	-
OVA51131	-	-	18	18	18	-
OVA51132	-	-	18	18	18	-
OVA51134				18	-	18
OVA51135				18	-	18
OVA51136				18	-	18
OVA51137				18	-	18
OVA51138				9	-	18
Installation method	Wall mounted or floor mounted, door stop left				Floor mounted	
Cable input	Top insertion				-	
Case material	Steel-sheet, grey RAL 7035				Steel, grey RAL 7035	
Protection rating	IP20				-	
Optional	Door stop right Socket 100 mm Socket 200 mm				-	

Exiway Smartled

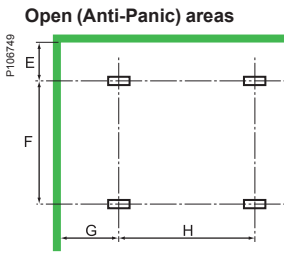
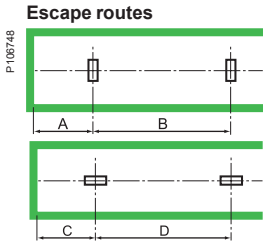


A and E: Transverse spacing to wall
 B and F: Transverse spacing between luminaires
 C and G: Axial spacing to wall
 D and H: Axial spacing between luminaires

Catalogue number	Installation height for ceiling mounting (m)	Lux level directly under luminaires (lux)	Escape routes 1 Lux min. Along centreline (m)				Area covered to obtain more than 1 Lux on the ground (m²)	Open (Anti-Panic) areas 0.5 Lux min. Luminaires arranged in a regular array (m)				Area covered to obtain 0.5 Lux on the ground (m²)
			A	B	C	D		E	F	G	H	
OVA46020	2.00	27.82	4.24	9.54	3.72	8.88	48.20	4.37	5.14	3.89	5.32	67.54
	2.50	17.80	4.65	11.16	4.08	9.87	54.39	4.27	7.83	3.81	7.64	86.00
	2.80	14.19	4.27	11.94	4.27	10.37	54.82	4.11	8.25	4.11	7.86	95.05
	3.00	12.36	4.13	12.44	4.41	10.66	57.57	4.13	9.34	4.37	8.61	97.07
	4.00	6.95	4.68	12.09	4.81	12.03	71.41	4.72	13.38	4.83	11.64	110.68
	5.00	4.45	5.04	12.57	5.00	12.98	81.82	5.13	13.07	5.09	11.36	128.31
	6.00	3.09	5.08	13.56	5.08	13.68	85.69	5.30	13.97	5.30	14.81	139.24
	7.00	2.27	4.95	14.25	4.90	14.06	80.18	5.47	14.96	5.43	15.69	160.36
	8.00	1.74	4.57	14.41	4.43	14.16	57.12	5.58	16.09	5.43	16.42	152.33
	9.00	1.37	3.77	14.25	3.73	14.13	24.10	5.50	17.32	5.44	17.22	144.60
10.00	1.11	2.45	13.94	2.31	13.75	29.75	5.50	18.06	5.22	17.80	126.45	
OVA46021	2.00	60.49	4.83	10.42	4.60	10.70	71.41	4.96	5.81	4.75	6.44	96.69
	2.50	38.71	5.68	12.38	5.13	12.07	88.33	5.82	6.69	5.30	7.16	126.45
	2.80	30.86	6.07	13.52	5.38	12.73	99.13	6.18	7.29	5.53	7.49	140.54
	3.00	26.88	6.36	14.22	5.53	13.17	107.11	6.32	7.71	5.56	7.82	150.62
	4.00	15.12	6.93	17.35	6.22	15.05	117.82	5.98	13.44	5.42	12.70	195.17
	5.00	9.68	6.46	19.32	6.82	16.56	135.74	6.22	17.90	6.54	16.05	232.44
	6.00	6.72	7.03	17.14	7.15	17.79	152.63	6.79	19.86	6.91	17.15	235.64
	7.00	4.94	7.38	18.08	7.31	18.84	178.59	7.22	18.53	7.16	15.77	269.70
	8.00	3.78	7.53	19.41	7.46	19.67	152.33	7.45	19.87	7.39	17.74	285.62
	9.00	2.99	7.55	20.35	7.49	20.17	192.79	7.66	20.62	7.60	21.90	313.29
	10.00	2.42	7.40	20.89	7.27	20.62	178.51	7.82	21.82	7.69	22.94	334.71
	11.00	2.00	7.08	21.25	6.87	20.88	144.00	7.99	23.12	7.77	23.65	288.00
	12.00	1.68	6.58	21.33	6.38	20.96	128.53	8.06	24.07	7.82	24.40	342.74
	13.00	1.43	5.86	21.15	5.72	20.87	125.70	7.96	25.46	7.79	25.14	377.11
	14.00	1.23	4.68	20.91	4.62	20.53	58.31	7.81	26.15	7.71	25.82	349.88
15.00	1.08	2.85	20.43	2.98	19.86	33.47	7.42	26.60	7.75	26.04	267.77	
OVA46022	2.00	94.02	5.01	10.84	5.14	11.96	84.50	5.07	5.98	5.18	7.11	113.65
	2.50	60.17	5.96	12.86	5.75	13.38	107.85	5.96	6.96	5.76	7.95	145.97
	2.80	47.97	6.44	14.04	6.07	14.13	123.04	6.42	7.59	6.08	8.39	166.20
	3.00	41.79	6.74	14.76	6.29	14.67	130.54	6.69	8.02	6.28	8.74	183.42
	4.00	23.50	8.20	18.29	7.07	16.88	163.04	7.55	12.76	6.58	12.99	246.35
	5.00	15.04	9.31	21.32	7.70	18.71	195.25	7.52	18.97	6.31	18.20	312.40
	6.00	10.45	7.68	23.81	8.26	20.27	200.83	7.37	13.48	7.89	12.48	358.81
	7.00	7.67	8.34	25.79	8.72	21.46	222.32	7.95	17.91	8.29	15.95	389.98
	8.00	5.88	8.88	21.14	9.04	22.54	247.54	8.43	22.43	8.57	19.24	395.11
	9.00	4.64	9.08	22.33	9.24	23.46	265.09	8.80	23.14	8.94	19.33	415.71
	10.00	3.76	9.33	23.73	9.24	24.27	238.02	9.19	25.02	9.12	20.60	446.28
	11.00	3.11	9.48	24.76	9.23	24.98	288.00	9.49	24.67	9.25	26.71	468.00
	12.00	2.61	9.38	25.40	9.21	25.52	257.06	9.60	25.96	9.44	27.82	556.96
	13.00	2.23	9.02	25.89	9.02	25.78	201.12	9.61	27.23	9.61	28.90	553.09
	14.00	1.92	8.66	26.23	8.58	25.88	233.26	9.70	28.54	9.61	29.74	466.51
	15.00	1.67	8.23	26.31	8.06	25.85	200.83	9.73	29.61	9.54	30.58	535.54
	16.00	1.47	7.46	26.26	7.38	25.80	228.50	9.71	30.84	9.61	31.28	590.28
	17.00	1.30	6.53	25.97	6.53	25.51	85.98	9.64	31.55	9.64	31.73	515.90
	18.00	1.16	5.16	25.44	5.16	25.21	96.40	9.50	32.31	9.50	32.78	506.08
19.00	1.04	2.92	24.91	2.92	24.56	0.00	9.31	33.01	9.31	32.91	429.62	



Exiway Smartbeam



A and E: Transverse spacing to wall
 B and F: Transverse spacing between luminaires
 C and G: Axial spacing to wall
 D and H: Axial spacing between luminaires

Catalogue number	Installation height for ceiling mounting (m)	Lux level directly under luminaires (lux)	Escape routes 1 Lux min. Along centreline (m)				Area covered to obtain more than 1 Lux on the ground (m ²)	Open (Anti-Panic) areas 0.5 Lux min. Luminaires arranged in a regular array (m)				Area covered to obtain 0.5 Lux on the ground (m ²)
			A	B	C	D		E	F	G	H	
OVA46026	2.50	8.18	3.78	9.87	3.81	10.14	45.56	3.95	11.05	3.99	10.95	79.03
	3.00	5.68	3.84	10.34	3.84	10.50	48.20	4.10	11.80	4.10	11.56	85.69
	3.50	4.17	3.82	10.63	3.85	10.88	47.38	4.22	12.38	4.26	12.14	93.85
	4.00	3.20	3.76	10.76	3.73	11.06	38.08	4.30	12.92	4.27	12.82	95.21
	5.00	2.05	3.31	10.72	3.25	10.96	29.75	4.33	13.70	4.26	13.73	96.69
	6.00	1.42	2.45	10.34	2.33	10.48	21.42	4.21	14.48	4.03	14.38	85.69
OVA46027	7.00	1.04	0.46	9.35	0.49	9.53	0.00	3.64	14.68	3.85	14.71	69.25
	2.50	7.07	7.69	17.59	2.57	7.25	49.28	5.01	13.69	2.00	5.42	83.21
	3.00	4.91	8.24	19.48	2.45	7.51	52.88	5.80	14.91	2.07	5.83	89.03
	3.50	3.61	8.25	21.23	2.27	7.58	49.20	6.53	15.76	2.16	5.92	98.41
	4.00	2.76	8.20	22.75	2.17	7.44	46.41	7.20	16.18	2.27	5.83	105.92
	5.00	1.77	6.17	24.00	1.67	7.12	37.19	7.65	19.59	2.44	6.43	98.55
OVA46029	6.00	1.23	5.03	22.05	0.90	6.70	26.78	11.85	16.48	2.52	4.80	99.07
	2.50	8.33	3.54	9.26	3.60	9.82	44.16	3.76	10.32	3.82	10.74	73.45
	3.00	5.79	3.61	9.74	3.67	10.20	46.19	3.93	10.79	3.99	11.06	81.67
	3.50	4.25	3.66	10.09	3.69	10.53	46.47	4.12	11.19	4.15	11.45	87.47
	4.00	3.25	3.60	10.38	3.57	10.72	42.84	4.24	11.82	4.20	11.96	91.64
	5.00	2.08	3.25	10.54	3.28	10.83	37.19	4.24	12.87	4.28	13.01	94.83
OVA46031	6.00	1.45	2.45	10.25	2.39	10.48	21.42	4.17	13.70	4.08	13.84	85.69
	7.00	1.06	0.67	9.44	0.58	9.67	7.29	4.04	14.35	3.56	14.38	72.89
	2.50	7.44	6.87	15.50	2.61	7.32	46.02	4.94	8.58	2.19	4.10	73.45
	3.00	5.17	7.43	17.68	2.54	7.62	50.21	5.67	9.81	2.27	4.56	80.33
	3.50	3.80	7.59	19.36	2.38	7.75	50.11	6.46	10.93	2.37	4.81	91.12
	4.00	2.91	5.93	20.71	2.33	7.67	45.22	5.87	11.95	2.61	4.97	94.02
OVA46031	5.00	1.86	5.60	22.08	1.82	7.35	33.47	7.23	13.74	2.69	5.12	98.55
	6.00	1.29	4.86	19.66	1.19	6.98	26.78	8.67	14.85	2.51	4.98	88.36

Exiway Smartbeam HC

Catalogue number	Installation height for ceiling mounting (m)	Lux level directly under luminaires (lux)	Escape routes 1 Lux min. Along centreline (m)				Area covered to obtain more than 1 Lux on the ground (m ²)	Open (Anti-Panic) areas 0.5 Lux min. Luminaires arranged in a regular array (m)				Area covered to obtain 0.5 Lux on the ground (m ²)	
			A	B	C	D		E	F	G	H		
OVA46030	6.00	6.04	5.45	12.65	5.55	13.39	107.11	5.09	9.37	5.17	9.35	147.27	
	7.00	4.44	5.98	14.06	6.03	14.77	120.27	5.51	8.24	5.56	8.28	174.94	
	8.00	3.40	6.42	15.25	6.36	15.95	147.57	5.94	10.33	5.89	10.51	199.93	
	9.00	2.69	6.66	16.14	6.72	17.10	168.69	6.30	15.22	6.36	15.38	228.94	
	10.00	2.18	6.62	17.16	6.68	17.87	148.76	6.56	16.35	6.62	16.69	245.45	
	11.00	1.80	6.42	17.98	6.42	18.48	144.00	6.80	17.51	6.80	17.72	288.00	
	12.00	1.51	5.92	18.33	5.85	19.27	128.53	7.05	18.47	6.98	18.69	299.90	
	13.00	1.29	5.12	18.63	4.99	19.42	50.28	7.39	20.07	7.21	20.51	314.26	
	14.00	1.11	3.62	18.45	3.43	19.34	58.31	7.36	21.18	6.99	21.26	291.57	
	OVA46032	6.00	8.34	7.09	17.88	2.83	7.98	91.04	8.10	14.83	3.53	8.41	120.50
		7.00	6.13	7.38	18.83	2.94	7.84	102.05	8.53	17.31	3.70	9.19	138.50
		8.00	4.69	7.66	19.67	3.03	7.98	95.21	8.98	21.59	3.86	9.81	161.85
		9.00	3.71	7.96	20.35	3.06	8.44	72.30	9.28	24.62	3.87	10.36	180.74
		10.00	3.00	8.24	21.08	3.11	8.81	89.26	9.70	25.61	3.96	10.49	208.26
11.00		2.48	8.36	21.62	3.15	9.06	108.00	9.85	26.45	4.03	10.48	198.00	
12.00		2.09	8.32	22.28	2.88	9.28	107.11	10.27	27.70	3.88	10.96	171.37	
13.00		1.78	8.20	22.60	2.53	9.54	100.56	10.56	28.83	3.60	11.32	150.84	
14.00		1.53	7.92	23.08	2.28	9.58	116.63	11.01	29.58	3.53	11.67	174.94	
15.00		1.33	7.24	23.44	1.78	9.68	33.47	11.38	30.54	3.17	12.08	200.83	
16.00		1.17	5.90	23.46	1.19	9.72	38.08	11.59	31.49	2.73	12.36	228.50	
17.00		1.04	3.38	23.37	0.45	9.36	0.00	11.98	32.22	2.01	12.30	214.96	

F

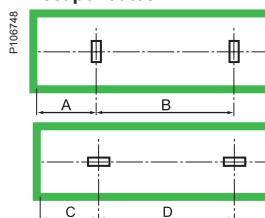
Exiway Smartbeam 5 lux

Catalogue number	Installation height for ceiling mounting	Diameter covered to obtain 5 Lux on the ground
	(m)	(m)
OVA46025 OVA46028	2.00	dia 3.5
	2.50	dia 4
	3.00	dia 4
	3.50	dia 4.25
	4.00	dia 4
	4.50	dia 4
	5.00	dis 3.5
	5.50	dia 3
	6.00	dia 2

Faro

Catalogue number	Installation height for ceiling mounting	Escape routes 1 Lux min. Along centreline			
		A	B	C	D
	(m)	(m)			
OVA46018	2.00	3.46	6.91	4.29	9.16
	2.50	4.16	8.64	5.13	11.45
	3.00	4.80	10.07	5.64	13.14
	3.50	5.39	11.38	6.06	14.48
	4.00	5.93	12.58	6.40	15.57
	5.00	6.64	14.74	7.14	17.44
	6.00	7.40	16.62	7.40	18.96
	7.00	7.78	18.28	7.78	20.22
	7.50	7.77	19.02	7.77	20.73
	8.00	7.72	19.74	7.72	21.14
	9.00	7.56	20.67	7.56	21.87
	10.00	7.28	21.36	7.28	22.16
	10.50	7.08	21.51	7.08	22.23
	12.00	6.93	21.72	6.39	22.08
	14.00	6.52	20.80	4.84	21.24
	16.00	0.84	19.84	0.56	19.80

Escape routes



OVA18●●●

OVA18045	16
OVA18046	16
OVA18047	16
OVA18048	18
OVA18049	18
OVA18050	18
OVA18051	18
OVA18052	18
OVA18053	18
OVA18054	20
OVA18055	20
OVA18056	23
OVA18057	23
OVA18058	23
OVA18059	23
OVA18060	23
OVA18061	23
OVA18062	23
OVA18063	23
OVA18064	23
OVA18065	23
OVA18066	23
OVA18067	23
OVA18068	23
OVA18069	23
OVA18070	23
OVA18071	23
OVA18072	23
OVA18073	23
OVA18074	23
OVA18075	23
OVA18076	23
OVA18077	23
OVA18078	25
OVA18079	25
OVA18080	16
OVA18081	18
OVA18082	23
OVA18083	23
OVA18100	23
OVA18101	23
OVA18501	31, 46
OVA18503	22, 25, 28
OVA18504	20, 22, 25, 28
OVA18505	22, 25, 28
OVA18506	17, 19, 21, 24, 29
OVA18507	24, 25
OVA18508	17, 19, 21, 24, 30
OVA18509	17, 19, 21, 24, 30
OVA18512	24, 29
OVA18515	17, 19, 21, 24
OVA18517	17, 19, 24, 31
OVA18518	19, 31
OVA18520	52
OVA18521	52
OVA18522	52
OVA18523	52
OVA18524	52
OVA18525	52
OVA18526	17, 31
OVA18527	21, 31
OVA18528	24, 31
OVA18529	24, 31
OVA18530	21, 24, 31
OVA18533	24
OVA18534	24
OVA18536	24
OVA18539	31, 46
OVA18541	17, 19, 22, 25, 28
OVA18542	20, 22, 25, 28
OVA18543	22, 25, 28
OVA18544	17, 19, 21, 24, 29
OVA18545	24, 29
OVA18546	17, 19, 21
OVA18548	22, 25, 28
OVA18549	17, 19, 22, 25, 28
OVA18550	24, 31

OVA46●●●	
OVA46013	40
OVA46014	40
OVA46015	40
OVA46016	40
OVA46018	46
OVA46020	34
OVA46021	34
OVA46022	34
OVA46023	38
OVA46024	38
OVA46025	44
OVA46026	44
OVA46027	44
OVA46028	44
OVA46029	44
OVA46030	44
OVA46031	44
OVA46032	44
OVA51●●●	
OVA51117	51
OVA51120	51
OVA51121	51
OVA51122	51
OVA51123	51
OVA51124	51
OVA51125	51
OVA51126	51
OVA51127	51
OVA51128	51
OVA51129	51
OVA51130	51
OVA51131	51
OVA51132	51
OVA51134	51
OVA51135	51
OVA51136	51
OVA51137	51
OVA51138	51
OVA53●●●	
OVA53046	41
OVA53047	41
OVA53048	41
OVA53049	41
OVA53050	41
OVA53151	41
OVA53152	41
OVA53153	41
OVA53154	41
OVA53155	41
OVA53157	35
OVA53158	35
OVA53159	35
OVA53160	35
OVA53163	35
OVA53164	35
OVA53165	35
OVA53173	39
OVA53174	39
OVA53175	39
OVA53176	39
OVA53177	39
OVA53180	45
OVA53181	45
OVA53183	45
OVA59●●●	
OVA59823	35



Life Is On | **Schneider**
Electric

Schneider Electric Industries SAS

35, rue Joseph Monier
CS 30323
92506 Rueil Malmaison Cedex
France

RCS Nanterre 954 503 439
Capital social 896 313 776 €
www.se.com

03-2019
LSB02636EN

© 2019 - Schneider Electric. All Rights Reserved.
All trademarks are owned by Schneider Electric Industries SAS or its affiliated companies.

This document has been
printed on recycled paper

