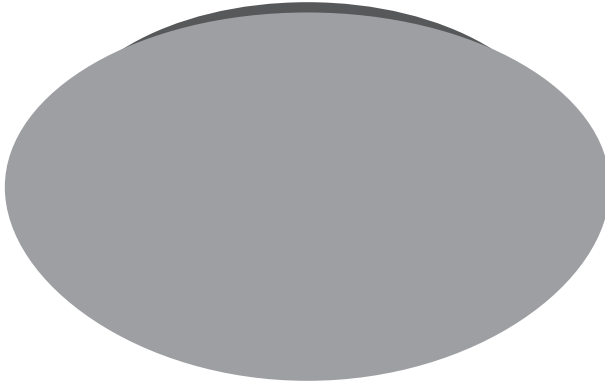
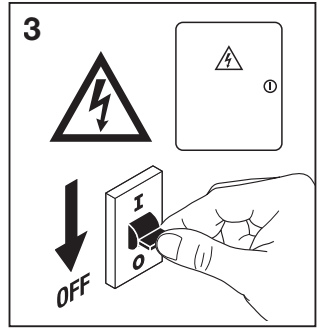
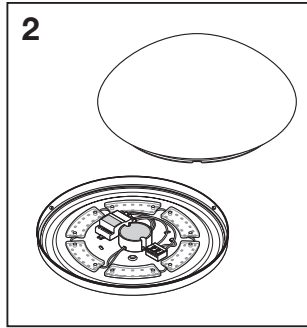
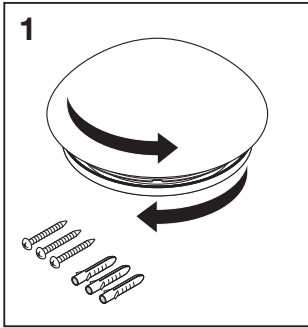

SURFACE CIRCULAR

SURFACE CIRCULAR SENSOR



	EAN	Ø x h [mm]	W	lm	lm/W	K	IP	IK
SF CIRCULAR 250 13W/3000K	4058075110120	250x91	13	920	70	3000	44	03
SF CIRCULAR 250 13W/4000K	4058075110144	250x91	13	960	75	4000	44	03
SF CIRCULAR 250 13W/3000K S	4058075314894	250x91	13	920	70	3000	44	03
SF CIRCULAR 250 13W/4000K S	4058075314917	250x91	13	960	75	4000	44	03
SF CIRCULAR 350 18W/3000K	4058075080010	350x115	18	1440	80	3000	44	03
SF CIRCULAR 350 18W/4000K	4058075080034	350x115	18	1440	80	4000	44	03
SF CIRCULAR 350 18W/3000K S	4058075314931	350x115	18	1440	80	3000	44	03
SF CIRCULAR 350 18W/4000K S	4058075314955	350x115	18	1440	80	4000	44	03
SF CIRCULAR 400 24W/3000K	4058075080058	400x120	24	1920	80	3000	44	03
SF CIRCULAR 400 24W/4000K	4058075080072	400x120	24	1920	80	4000	44	03
SF CIRCULAR 400 24W/3000K S	4058075314979	400x120	24	1920	80	3000	44	03
SF CIRCULAR 400 24W/4000K S	4058075314993	400x120	24	1920	80	4000	44	03

	EAN	⊖ (°C)	V _{AC}	Hz	∠	PF	R _a	👤
SF CIRCULAR 250 13W/3000K	4058075110120	-20...+40	220-240V	50/60Hz	120°	> 0.5	> 80	0.3 kg
SF CIRCULAR 250 13W/4000K	4058075110144	-20...+40	220-240V	50/60Hz	120°	> 0.5	> 80	0.3 kg
SF CIRCULAR 250 13W/3000K S	4058075314894	-20...+40	220-240V	50/60Hz	120°	> 0.5	> 80	0.3 kg
SF CIRCULAR 250 13W/4000K S	4058075314917	-20...+40	220-240V	50/60Hz	120°	> 0.5	> 80	0.3 kg
SF CIRCULAR 350 18W/3000K	4058075080010	-20...+40	220-240V	50/60Hz	120°	> 0.5	> 80	0.6 kg
SF CIRCULAR 350 18W/4000K	4058075080034	-20...+40	220-240V	50/60Hz	120°	> 0.5	> 80	0.6 kg
SF CIRCULAR 350 18W/3000K S	4058075314931	-20...+40	220-240V	50/60Hz	120°	> 0.5	> 80	0.7 kg
SF CIRCULAR 350 18W/4000K S	4058075314955	-20...+40	220-240V	50/60Hz	120°	> 0.5	> 80	0.7 kg
SF CIRCULAR 400 24W/3000K	4058075080058	-20...+40	220-240V	50/60Hz	120°	> 0.5	> 80	0.7 kg
SF CIRCULAR 400 24W/4000K	4058075080072	-20...+40	220-240V	50/60Hz	120°	> 0.5	> 80	0.7 kg
SF CIRCULAR 400 24W/3000K S	4058075314979	-20...+40	220-240V	50/60Hz	120°	> 0.5	> 80	0.8 kg
SF CIRCULAR 400 24W/4000K S	4058075314993	-20...+40	220-240V	50/60Hz	120°	> 0.5	> 80	0.8 kg



IP44

4

[mm]	d
SURFACE CIRCULAR 250	157
SURFACE CIRCULAR 350	223
SURFACE CIRCULAR 400	266

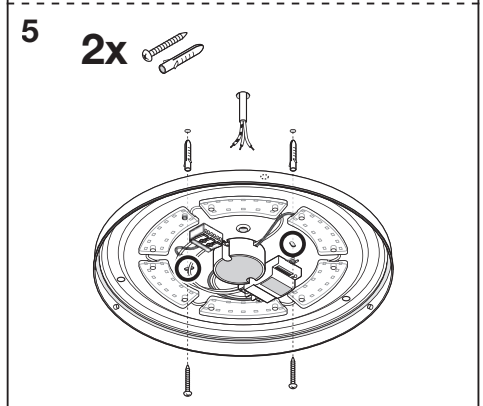
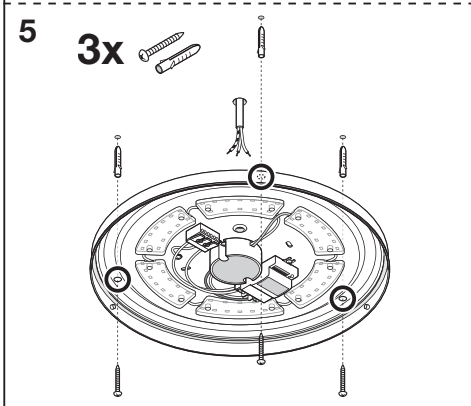
3x

IP20

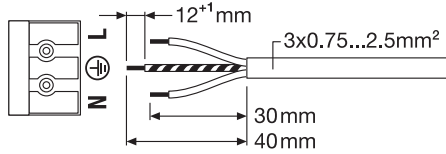
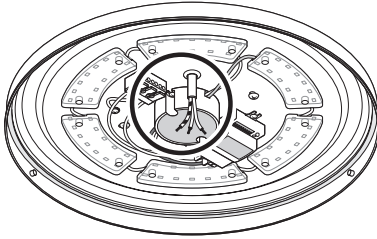
4

[mm]	s
SURFACE CIRCULAR 250	110
SURFACE CIRCULAR 350	95
SURFACE CIRCULAR 400	130

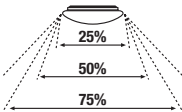
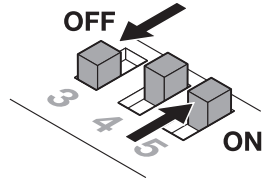
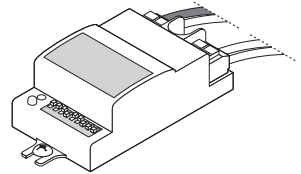
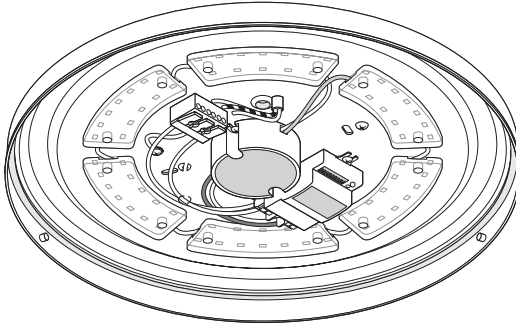
2x



6



7: SURFACE CIRCULAR SENSOR



Detection Area

1	2	3	
ON	ON	ON	100 %
-	ON	ON	75 %
ON	-	ON	50 %
-	-	ON	25 %
-	-	-	10 %



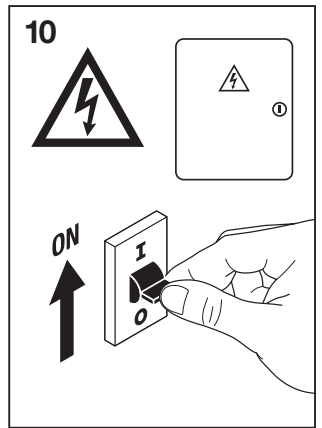
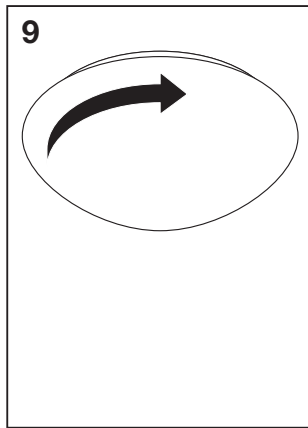
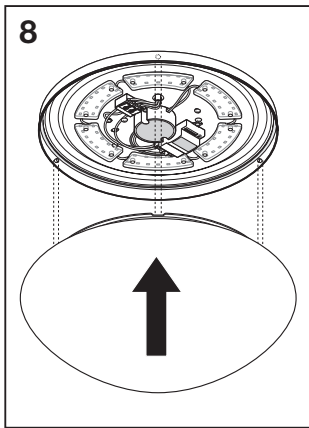
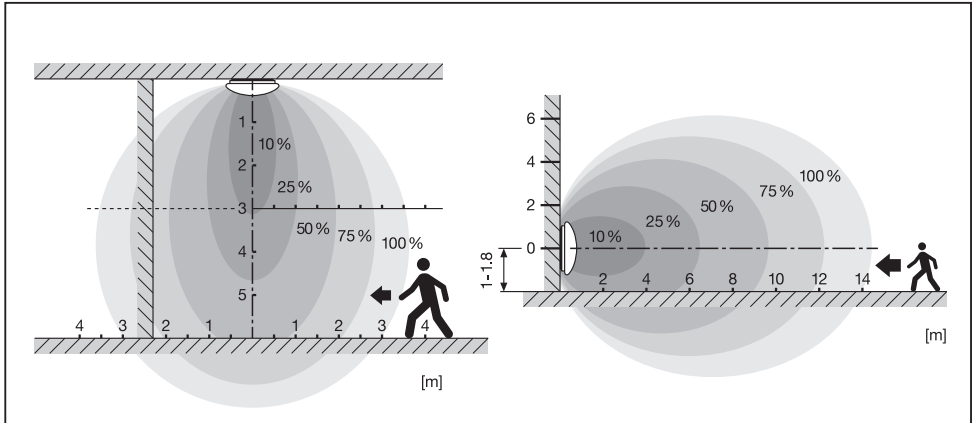
Hold Time


4	5	6	
ON	ON	ON	5s
-	ON	ON	30s
ON	-	ON	90s
-	-	ON	3min
ON	ON	-	20min
-	-	-	30min



Daylight Sensor

7	8	9	
ON	ON	ON	2 LUX
ON	ON	-	10 LUX
-	ON	-	25 LUX
ON	-	-	50 LUX
-	-	-	Disable



	EAN	Ø x h [mm]
SF CIRCULAR 250 COVER	4058075156722	250x80
SF CIRCULAR 350 COVER	4058075156807	350x104
SF CIRCULAR 400 COVER	4058075156821	400x112

CE   EAC RoHS



C10449057
G11072557
12.04.19



LEDVANCE GmbH
Steinerne Furt 62
86167 Augsburg, Germany
www.ledvance.com