



MASTERColour CDM-R111 Elite

MASTERC CDM-R111 Elite 70W/930 GX8.5 24D

MASTERColour CDM-R111 Elite combines the trendy look of 111 mm aluminum-reflector halogen lamps with the long life, high energy efficiency and crisp white light of MASTERColour CDM.

Warnings and Safety

- Control gear must include end-of-life protection (IEC61167, IEC 62035)
- Use only with electronic control gear. 35W/930 lamps may also use electromagnetic gear.
- A lamp breaking is extremely unlikely to have any impact on your health. If a lamp breaks, ventilate the room for 30 minutes and remove the parts, preferably with gloves. Put them in a sealed plastic bag and take it to your local waste facilities for recycling. Do not use a vacuum cleaner.

Product data

Operating and Electrical		Luminous Flux	
Power Consumption	73.2 W	Luminous Flux	3,550 lumen
Warm-up time to 60% light	120 s	Luminous Intensity (Nom)	16,000 cd
Voltage (Nom)	89 V	Color Designation	Warm White (WW)
Voltage (Nom)	89 V	Chromaticity Coordinate X (Nom)	0.434
		Chromaticity Coordinate Y (Nom)	0.398
		Correlated Color Temperature (Nom)	3000 K
		Luminous Efficacy (rated) (Nom)	50 lm/W
		Color rendering index (CRI)	92
		LLMF At End Of Nominal Lifetime (Nom)	70 %
		Luminous Flux in 90° Cone (Rated)	3,550 lumen
General Information		Controls and Dimming	
Cap-Base	GX8.5 [GX8.5]	Dimmable	No
Operating Position	UNIVERSAL [Any or Universal (U)]		
Switching Cycle	1,050		
Flux measurement reference	Narrow Cone		
Light Technical			
Color Code	930 [CCT of 3000K]		
Beam Angle (Nom)	24 degree(s)		

MASTERCoulour CDM-R111 Elite

Mechanical and Housing

Bulb Finish	Reflector
Bulb Shape	R111 [R 111mm]

Approval and Application

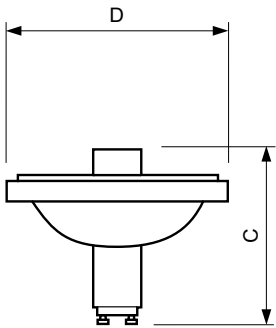
Mercury (Hg) Content (Max)	6.6 mg
Mercury (Hg) Content (Nom)	6.6 mg
Energy Consumption kWh/1000 h	74 kWh
EPREL Registration Number	473,283

Product Data

Full product code	871829168970600
-------------------	-----------------

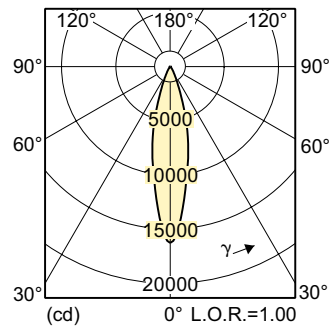
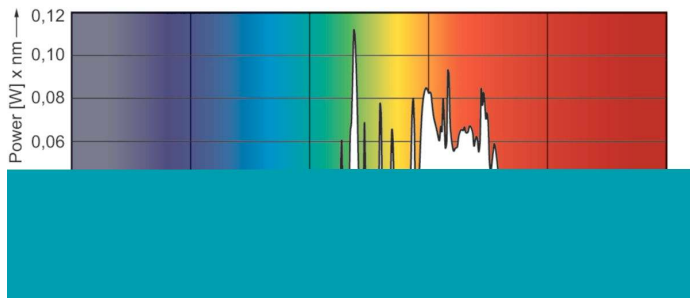
Order product name	MASTERC CDM-R111 Elite 70W/930 GX8.5 24D
Order code	928195705330
Numerator - Quantity Per Pack	1
Numerator - Packs per outer box	6
Material number (12NC)	928195705330
Full product name	MASTERC CDM-R111 Elite 70W/930 GX8.5 24D
EAN/UPC - Case	8718291689713

Dimensional drawing



Product	D (max)	C (max)
MASTERC CDM-R111 Elite 70W/930 GX8.5 24D	111 mm	95 mm

Photometric data



Spectral Power Distribution Colour - MASTERC CDM-R111 Elite 70W/930 GX8.5 24D

Light Distribution Diagram - MASTERC CDM-R111 Elite 70W/930 GX8.5 24D

MASTERCcolour CDM-R111 Elite

