

LED Apollo HC300 bracket

OPPLE

Version date 08-05-2018
www.opple.com

Art. Code

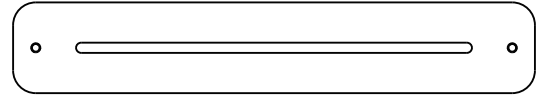
Family Name



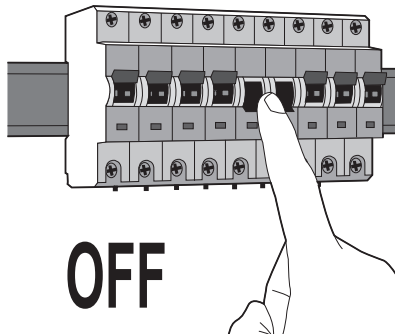
520098000200

Apollo

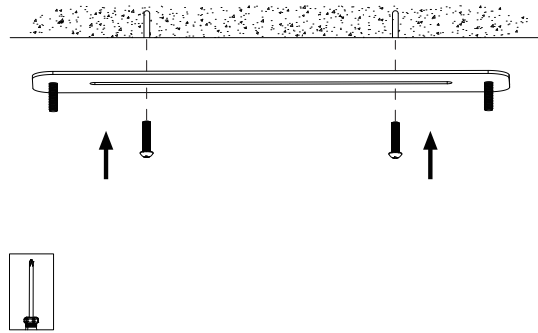
0.11kg



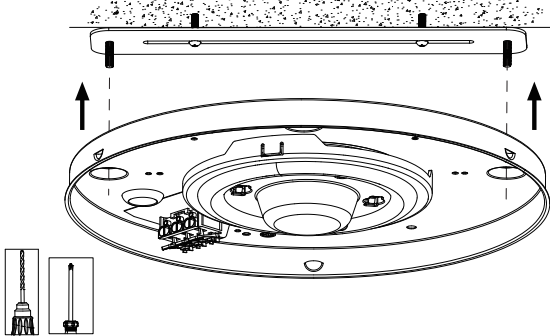
①



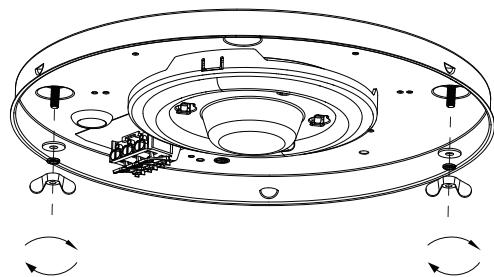
②



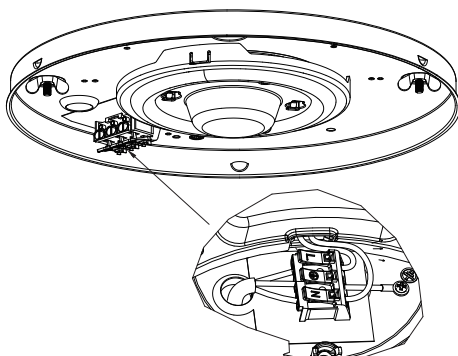
③



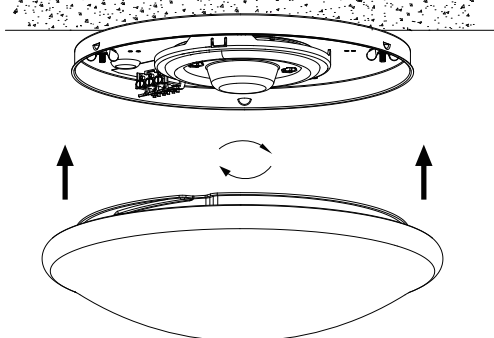
④

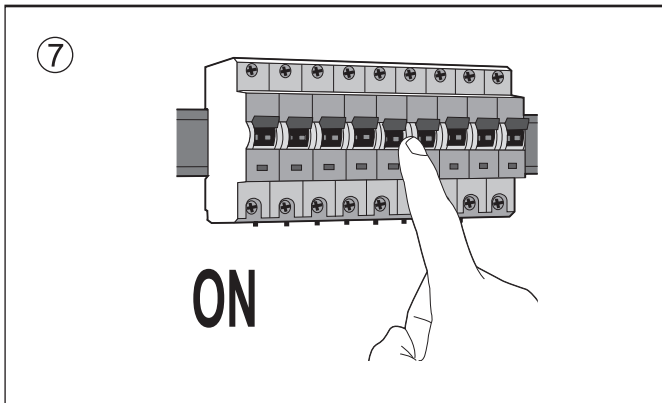


⑤

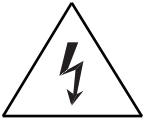


⑥





Caution: Any operation on LED module is forbidden while power-on.
Achtung: In Betrieb ist keine Arbeit am LED-Modul erlaubt.



For non-user replaceable light sources.
The light source contained in this luminaire shall only be replaced by the manufacturer or his service agent or a similar qualified person.

