



# PrimaVision BasePerform

## HID-PV Base 150 SON/CDO Q 220-240V

Highly reliable electronic drivers for SON and CDO lamps designed to save energy thanks to better light efficiency compared to magnetic drivers, and to save on maintenance costs thanks to a lifetime of up to 50,000 hours.

### Product data

General Information	
Number of Lamps	1 piece/unit
Operating and Electrical	
Input Voltage	220 to 240 V
Line Frequency	50 to 60 Hz
Input Frequency	50 to 60 Hz
Earth Leakage Current (Max)	0.7 mA
Inrush Current Width	0.02 ms
Input Current (Nom)	0.75 A
Inrush Current Peak (Max)	35 A
Number of Products on MCB (16A Type B) (Nom)	8
Wiring	
Cable Length From Device to Lamp	1.5 m
Connector Type	WAGO series 804
Temperature	
Ambient temperature range	-30 °C to 55 °C

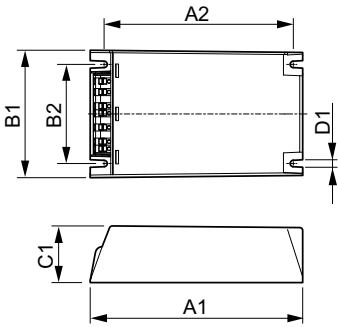
T-Case Lifetime (Nom)	80 °C
Mechanical and Housing	
Housing	Q
Approval and Application	
Surge Protection (Common/Differential)	EN61547 (L-L 2kV, L-G 4kV) kV
Safety Standard	IEC 607, 609, 926, 928 [No Standard for HID Lamp drivers exists. Requirements in these standards to be used if considered relevant for the product.]
Environmental Standard	ISO 14001
Approval Marks	CE marking ENEC certificate VDE-EMV certificate

Product Data	
Full product code	871869653157000
Order product name	HID-PV Base 150 SON/CDO Q 220-240V
Order code	913712008966
Numerator - Quantity Per Pack	1
Numerator - Packs per outer box	12

# PrimaVision BasePerform

Material number (12NC)	913712008966
Full product name	HID-PV Base 150 SON/CDO Q 220-240V
EAN/UPC - Case	8718696531587

## Dimensional drawing



Product	D1	C1	A1	A2	B1	B2
HID-PV Base 150 SON/CDO Q 220-240V	4.5 mm	40.0 mm	150.0 mm	133.6 mm	90.0 mm	70.0 mm

